

TEMPORARY REVISION NUMBER 1

DATED 22 JANUARY 1995

RECEIVED SEP 15 1997

RS 7 1253

MANUAL TITLE MODEL 170A PARTS CATALOG (1949 THRU 1951)

MANUAL NUMBER - PAPER COPY P107-12 AEROFICHE P107-12AF

TEMPORARY REVISION NUMBER - PAPER COPY P107TR1-12 AEROFICHE NA

MANUAL DATE APRIL 1950 REVISION NUMBER NA DATE NA

This Temporary Revision consists of changes to the subject Parts Catalog and replaces all previously issued Revision Sheets. Pen and ink changes should be made to the paper copy of the manual and supersede the aerofiche information.

NOTE

The "R" located in the first column, of the revision sheet(s), indicates changes that have occurred since the issuance of the previous Revision Sheets and/or Temporary Revision text pages.

PAGE

FICHE/FRAME

1	None
2	None
3	None

REASON FOR TEMPORARY REVISION

To incorporate later parts information changes to the Parts Catalog.

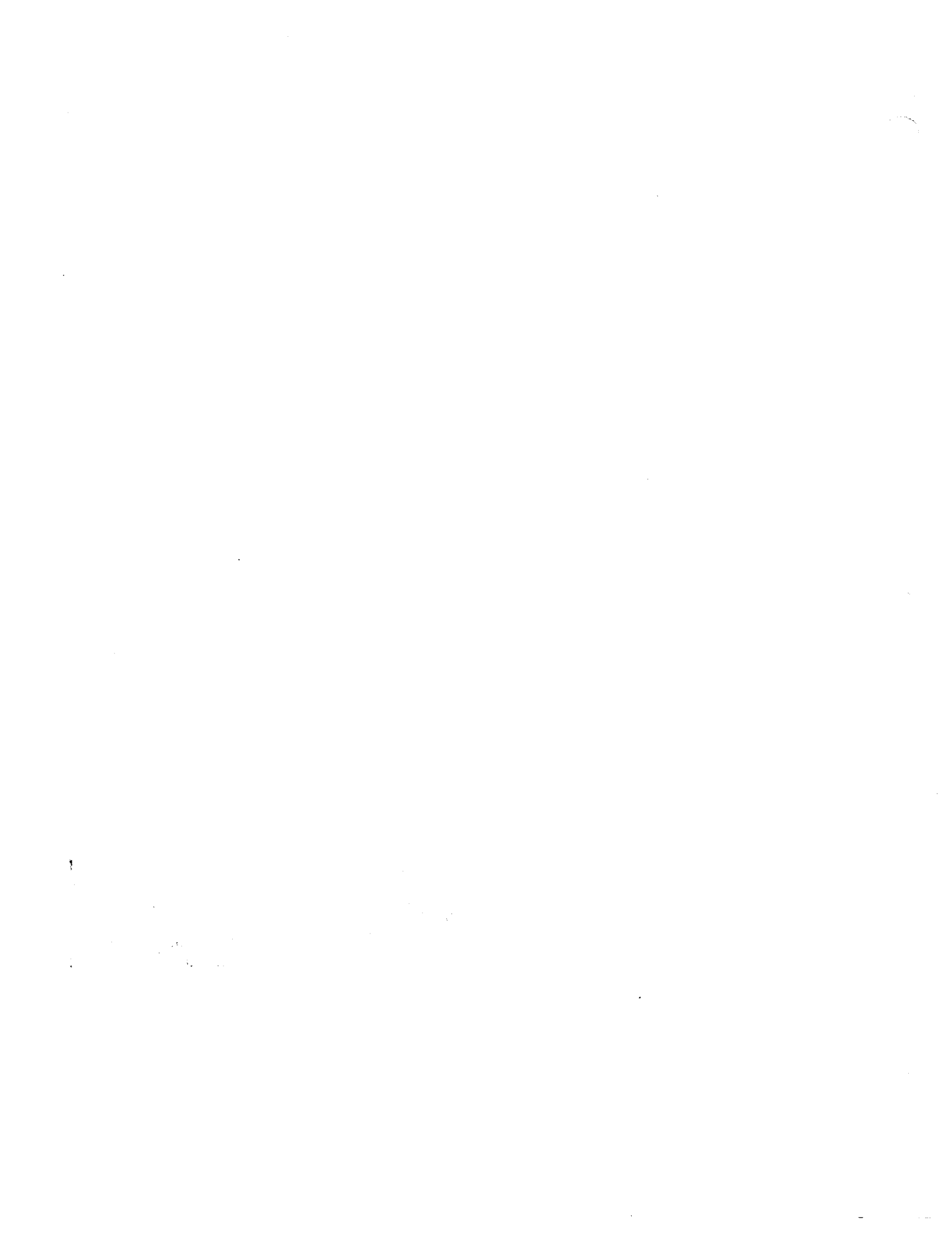
FILING INSTRUCTIONS FOR THIS TEMPORARY REVISION

For paper publications:

After making pen and ink changes to the Parts Catalog Pages as noted on the attached revision sheet(s) and/or Temporary Revision Text pages; file this cover sheet and the revision sheets behind the publications title page to identify the inclusion of the Temporary Revision into the manual.

For aerofiche publications:

Draw a line through any aerofiche frame (page) affected by the Temporary Revision with a permanent red ink marker. This will be a visual identifier that information in the frame (page) is no longer valid and the Temporary Revision should be referenced. Temporary Revisions should be collected and maintained in a notebook near the aerofiche library for quick reference.



CESSNA AIRCRAFT COMPANY
MODEL 170A SERIES (1949 - 1951)
PARTS CATALOG REVISION SHEET

Page No.	Fig. No.	Index No.	CHANGE		REMARKS
			FROM	TO	
3	1	17	0520005	0426003-15	
3	1	17	0520005-1	0426003-16	
5	2	28	NAS228-8	NAS220	
7	3	58	0523266-2	0523226-2	
8	3	58	0523266	0523226	
8	3	81	0523206	0523002-58	
10	5	18	NAS36	S1819-3	
16	8	74	0523206-1	0523002-59	
25	15	5	0333000-3 LH	0333000-6 RH	
27	16	6	0334200-12 Left	No Change	Add: "or Right"
27	16	23	0334200-12 Right	No Change	Add: "or Left"
27	16	25	0334200-5	0334200-5 Upper	
27	16	25	Not Listed	0334200-6 Lower	
27	16	57	0310262	0534107	
31	18	5	0413142-3	CE1816	
35	20	33	0511495-30	0511495-40	
35	20	54	NAS447-416SP	NAS682A4	
40	22	92	0512125-1	SK70A52-4	
49	27	16	0541111	0541111-2	
49	27	16	0541111-1	0541111-2	
49	27	28	0441010	95-2353	
50			0541103-3	0541103-52	
50			0541103-4	0541103-52	
50			0541103-8	0541103-52	
50	28	1	0541103-10	0541103-50	
50	28	1	0541103-11	0541103-50	
50	28	2	0541117-8	0441015-8	
50	28	4	0541117-10	0541116-30	
50	28	6	0541117-9	0541116-32	
50	28	7	0541117-5	AN6230B3	
50	28	11	0541117-6	95-5163	
50	28	13	0541117-7	0541116-36	
55	31	22	0411021-1	0712603-2	
57	32	22	0511106-88	4707	Use 12-foot length
57	32	24	0411821-3	0413323	1950 Model, -52 with tumbler
57	32	32	0511112-6	051111-18	
57	32	34	0411552-	0411552-2	
59	33	18	0511106-88	4707	Use 12-foot Length
61	34	4	0411086-4	S1323N1	
61	34	9	0511060	GE1826	

Please update your parts catalog as shown above.

**CESSNA AIRCRAFT COMPANY
MODEL 170A SERIES (1949 - 1951)
PARTS CATALOG REVISION SHEET**

Page No.	Fig. No.	Index No.	CHANGE		REMARKS
			FROM	TO	
61	34	12	0511059-1	0411059-1	
61	34	28	0511060	GE1826	
61	34	34	0413355	0311033-4	
61	34	36	0413145	IHJ5	
64	35	11	0513025-10	0412514-10	
64	35	18	0411086-4	S1323N1	
64	35	40	0413215	0311538-1	S/N 19378-19875
65	35	88	0413355	0311038-4	
65	35	95	0413145	IHJ5	
67	36	3	0552000-4	0552001-4	
67	36	7	0552000-12	0552001-12	
67	36	11	0552000-5	0552001-5	
67	36	15	0552000-11	0552001-11	
67	36	16	0552000-3	0552001-3	
67	36	17	0552000-51	0552001-51	
67	36	25	0552000-52	0552001-52	
67	36	37	0552000-11	0552001-11	
67	36	38	0552000-12	0552001-12	
69	37	21	0452007	0452207	
71	38	10	0450261 Large	0750139 Small	
71	38	15	0551000-	0551000-50	
71	38	29	AN4002-1	AN4022-1	
71	38	30	AN735-16	NAS434D16	
71	38	31	0550158	S1104-3	
72	38	81	Not listed	0550122	Shield Fuel Line
75	40	12	0511140	0511169	
75	40	14	0511140-1	0511169-1	
75	40	30	0411030-3	C6861	
75	40	37	0511001-19	0511001-250	
85	46	14	AN210-4A	S378-4	
87	47	7	NAS314-27-1760	0510105-15	
87	47	8	NAS314-27-1770	0510105-4	
90	49	2	AN114	NAS383-4	
90	49	3	NAS314-27-2247	0510105-1	
90	49	7	0510120	#6	
93			Not listed	52-3-841	
95	52	15	475229	0311779-22	
95	52	16	475232	0311779-23	
95	52	50	0511231-22	0511231-8	
97	53	16	0411063-3	0411063-2	

Please update your parts catalog as shown above.

CESSNA AIRCRAFT COMPANY
MODEL 170A SERIES (1949 - 1951)
PARTS CATALOG REVISION SHEET

Page No.	Fig. No.	Index No.	CHANGE		REMARKS
			FROM	TO	
97	53	21	0411067	0411067-1	
99			0311833	0511770	
99	54	11	0411063-3	0411063-2	
102	56	5	AN526-832R10	AN515-832R10	
103	57	1	0511065	0511065-1	
104	58	3	0500007-4	0500006-4	
104	58	3	0500007-15	0500006-15	
104	58	7	AN5743L1	C664506-0102	
107			Not listed	52-3-831	Installation Kit
107	60	14	0513120	0511059	
107	60	41	Not Listed	0511021	Light Conductor (For better lighting)
117	68	1	0500106-52	0500106-55	
117	68	1	0500106-53	0500106-55	
117	68	12	0541116	0441150-6	
117	68	12	0541116-1	0441150-7	
117	68	18	0541116-9	0541116-5	
117	68	40	0541116-29	0441015-8	
121	71	1	0511142	0511142-1	
129			0511009	52-3-883 or 52-3-892	
129	81	10	0511055	52-3-842	

Please update your parts catalog as shown above.

RECEIVED SEP 15 1987

8971253

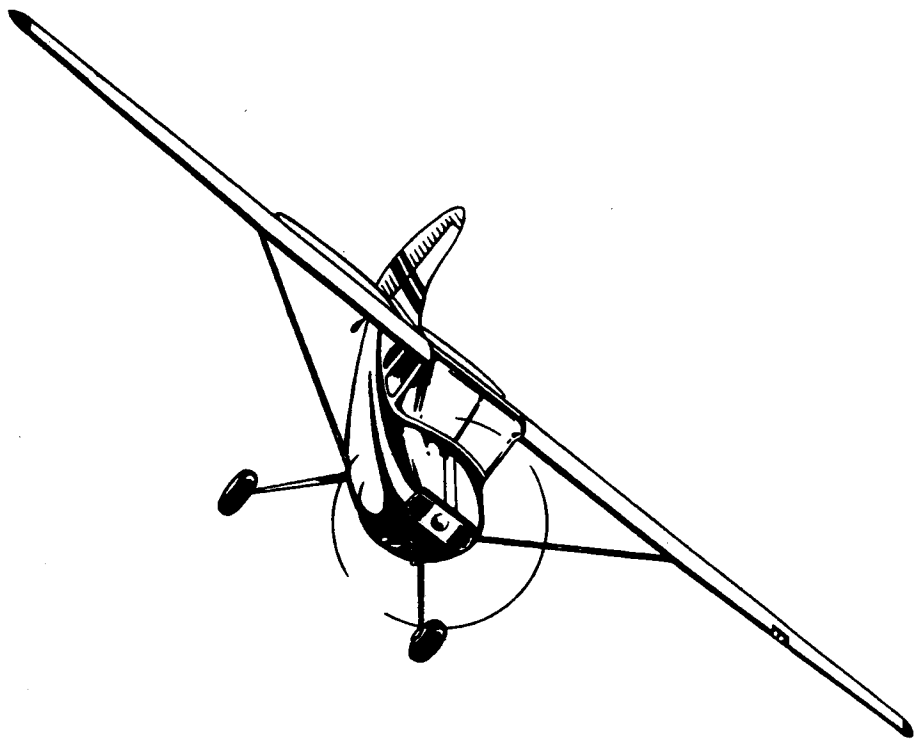
CESSNA AIRCRAFT COMPANY

Wichita, Kansas

NOTE

CERTAIN KITS AND INSTALLATIONS
BEING NO LONGER AVAILABLE
THE FOLLOWING PAGES HAVE
BEEN OMITTED FROM THIS
CATALOG:

92	103
98	114
99	115
100	124
101	125
102	126



Model **170A**

F O R E W O R D

This illustrated Parts Catalog has been prepared to enable all concerned to more easily, quickly and positively identify Parts for the Cessna Model 170A. Suggestions for improvement of it are welcome.

Features of the book include the indexing system, which consists of:

- 1) A conveniently located Alphabetical Index in the front of the Catalog.
- 2) An Illustrated Index provided in Figure 1 — Airplane Assembly.
- 3) A Numerical Index in the back of the Catalog.

Through the use of the proper one of these three indexes, Parts may be located by name, number or location, as each index refers to where it may be found in the catalog.

Included also, is a color chart listing all exterior, interior and interior trim colors used on Cessna 170A's. These colors are listed by model without reference to serial number.

The use of vendors numbers has been discontinued in most cases in this catalog. In their place, Cessna numbers have been listed. This change has been made primarily for the convenience and protection of all concerned. Vendors occasionally change their numbers or redesign their parts. Whenever this happens, the vendor's numbers shown in the catalog are obsolete. This causes confusion and delay in filling your order and a great deal of paper work to get everyone notified of the change. However, if the part is ordered under a Cessna number, the correct part will be shipped out regardless of any change in vendor's number.

Another major change incorporated in this catalog is the use of "AN" and "NAS" numbers in place of vendor's numbers on standard hardware items such as Tinnerman nuts, clamps, etc. In such cases the part has been listed under both the "AN" or "NAS" number and the vendor's number to aid in recognizing the change.

APRIL 1950

HOW TO ORDER

USE YOUR CATALOG TO ORDER PARTS. Use Parts and Accessories order form Number 573, which will be supplied by CESSNA on request. Give complete information on addresses and make sure that part number and part name are as shown in the catalog. Be sure to state quantities.

Be sure to specify how the order is to be shipped, otherwise it will be sent out in the manner that seems best to the shipper. Be sure to indicate model and serial number of the airplane. Serial number is very important to properly identify parts used on each airplane. Where color is involved, be sure to specify what color.

Factory hours are 7:30 A.M. to 4:00 P.M. Monday through Friday. All orders will be processed promptly within the above hours and in most cases will be shipped on the day received or on the following working day.

DISTRIBUTOR ORDERS

Distributors will send all orders to the factory with instructions as to the shipping destination. The factory prefers not to make C.O.D. shipments for the distributor and all billing will be made to the distributor in the case of direct shipments.

DEALER ORDERS

Dealers will place all of their parts order requirements with their distributor. The factory will not honor orders received directly from a dealer. It will be necessary for us to forward it to the distributor for his action. Therefore, dealer orders sent direct to the distributor will result in much faster delivery on any parts that are required.

RETAIL ORDERS

Retail orders will not be honored by the factory. They are to be placed with the dealer or distributor in the owner's territory and when received directly by the factory will be forwarded to the distributor from whose territory it was received. Considerable saving in time will again result to the owner if his orders are placed with his dealer or distributor.

ALPHABETICAL INDEX

PART NAME	PAGE	PART NAME	PAGE
A			
Actuator		Bulb	
Elevator Tab	23	Dome Light	31
Stall Warning Indicator	5	Instrument Light	64, 65
Aft Section Assembly—Fuselage	39	Tail Light	25
Aileron		Wing Position	5, 13
Assembly—Left	10	Bushing	
Assembly—Right	18	Bronze Tailwheel	53
Altimeter	61, 64	Rudder Hinge	40
Altimeter—Sensitive	104	Seat Roller	77
Ammeter	61, 65	Tailwheel Spring Attachment	40
Antenna		C	
G. E. Radio	97	Cabin Air Vent	
Mast Bracket	31	Outlet Assembly—Left	29
Ash Receiver	67	Outlet Assembly—Right	29
Auxiliary Spar		Scoop Assembly—Left	9
Inboard—Left Wing	8	Scoop Assembly—Right	17
Inboard—Right Wing	16	Cabin Heater	
Outboard—Left Wing	8	Gasoline	95
Outboard—Right Wing	16	Manifold	93
Rudder	25	Cabin Trim and Upholstery	75
Axle—Landing Gear	49	Cable	
Axle—Ski	49	Aileron Control	85
B			
Back Assembly—Rear Seat	79	Elevator Control	87
Baffle—Engine	72	Elevator Tab Control	89
Ball Joint—Throttle Control	71	Flap Control	83
Bar—Aileron Carry Thru	85	Parking Brake	45
Battery	55	Rudder Control	90
Battery Box	29	Camera Provision	127
Bellcrank		Cap	
Aileron—Left	10	Carburetor Heater Union	72
Aileron—Right	18	Fuel Tank	5, 13
Dual Brakes	111	Card—Compass	61, 62, 107
Elevator—Forward	47	Carpet—Floor	75
Elevator—Rear	87	Catch	
Flap Control—Left	11	Cowl Fastener	67, 69
Flap Control—Right	19	Glove Compartment Door	62, 64
Rudder	25	Rear Seat Back	39
Belt—Safety		Chain	
Front	29	Aileron Control	85
Rear	79	Elevator Tab	87
Bezel—Instrument	61, 62	Cigar Lighter	62, 64
Blast Tube—Oil Temperature	71	Circuit Breaker	65
Bolt—Flap Stop	5, 13	Clamp	
Bottom Assembly—Rear Seat	79	Heater Mounting	95
Box		Parking Brake Cable	45
Battery	29	Clip	
Glove Compartment	62, 65	Door Handle	59
Bracket		Switch Limit	64
Antenna Mast	31	Clock	104
Door Catch—Left	5	Collar—Axle Attachment	117
Door Catch—Right	16	Compass	61, 64
Microphone Mounting	96	Cone Assembly—Fuselage Tail	40
Radio Case Mounting	95	Connector and Spring Assembly—Tailwheel	51
Seat Back	39	Contactora	55
Seat Belt	29	Control	
Stabilizer Hinge	23	Carburetor Heat	62, 64
Starter Control	33	Lock	121
Tailwheel Mounting	51	Mixture	62, 64
Brake		Parking Brake	62, 64
Crosswind Landing Gear	117	Starter	62, 64
Disc—Rotating	50, 117	Throttle	62, 65
Lines	41	Control System	
Lining	50, 117	Aileron	85
Main Wheel	50	Elevator	87
Master Cylinder	43	Elevator Tab	89
		Flap	83
		Rudder	90
		Cover	
		Instrument Opening	61, 64, 65
		Instrument Panel—Left	62, 64
		Instrument Panel—Right	62, 64
		Landing Light Gap	5
		Muff	105
		Radio Dial Cutout	62
		Shock Panel	61, 62
		Cowl—Engine	66, 69

ILLUSTRATED PARTS CATALOG



ALPHABETICAL INDEX

PART NAME	PAGE	PART NAME	PAGE
D		G	
Decal		Gage	
Fuse Panel	62, 65	Carburetor Air Temperature	129
Headphone	61, 65	Fuel	5, 13
Operation Limitations	65	Manifold Pressure	129
Panel Light Switch	62, 64	Oil Pressure	61, 65
Spare Fuse	62, 64	Oil Temperature	61, 65
Water Rudder Retract	109	Outside Air Temperature	104
Deflector—Heater	93, 95	Suction	107
Disc—Rotating—Brake	50, 117	Glass—Window	39, 57, 59
Door Assembly		Goggles—Blind Flight	121
Cabin—Left	57	Grill—Cowl	67, 69
Cabin—Right	59	Grommet—Firewall	73
Glove Compartment	62, 64	Gyro Installation—Venturi	107
Dual Brakes	111		
E		H	
Elbow—Cabin Vent	9, 17	Handle	
Elevator		Assist	33
Assembly—Left	27	Door Latch	57
Assembly—Right	27	Flap Lever	29
Control System	87	Front Seat Adjustment	77
Tab Control System	89	Fuel Selector Valve	81
Engine Installation	71	Inside Door	57, 59
Equipment—Instrument Panel	61, 62	Switch	61, 64
Escutcheon—Door Handle	57, 59	Headphone	96
Extension		Heater—Cabin	
Starter Arm	71	Gasoline	95
Tab	109	Manifold	93
Eyebolt		Hinge	
Hoisting	123	Aileron	10
Wing Tie Down	20	Door—Left	57
		Door—Right	57
F		Elevator Outboard	2
Fairing		Elevator Tab	2
Empennage	3	Flap	11
Wheel	121	Glove Compartment Door	62, 64
Wing Forward—Left	3	Rudder	25, 40
Wing Forward—Right	3	Hoisting Provision	123
Fillet—Wing	29	Hood—Cowl	67, 69
Fin and Dorsal Assembly	20	Hook—Headphone	95
Fire Extinguisher	118	Horn—Elevator Tab	97
Firewall	33		
Fittings—Floatplane	109	I	
Flange—Pitot Static Line	33	Indicator	
Flap		Airspeed	61, 64
Assembly—Left	11	Stall Warning	62
Assembly—Right	19	Turn and Bank	104
Control System	83	Inspection Plate	
Stop Bolt	5, 13	Upholstered	29, 75
Floatplane Fittings	109	Wing	5, 13
Floorboard		Wing Attachment—Left	3
Aft Section	39	Wing Attachment—Right	3
Center Section	31	Instrument	
Front Section	33	Optional	104
Landing Gear Cover	35	Panel	61, 62
Front Seat	77		
Fuel and Oil System	81	J	
Fuse	64	Jack—Headphone	61, 65
Fuselage		Jack Point—Universal	123
Aft Section Assembly	39	Jet Assembly—Primer	71
Complete—Bare	29		
Front and Center Section	31	K	
Front Section Assembly	33	Kit	
		Cabin Heater	93, c

ILLUSTRATED PARTS CATALOG



ALPHABETICAL INDEX

PART NAME	PAGE	PART NAME	PAGE
Cargo Rugs	123	M	
Crosswind Gear	116	Master Cylinder—Brake	43
Dual Brakes	111	Microphone	96
Fire Extinguisher	118	Mixture Control	62, 64
Float Fittings	109	Mooring Lug—Wing	20
Hoisting Provision	123	Mount	
Landing Light	113	Engine	71
Oil Dilution System	110	Instrument Panel Shock	61, 64
Pneumatic Tailwheel	119	Muff—Heater	71
Venturi Gyro	107	Muffler—Engine Exhaust	71
Wheel Fairings	121	N	
Winterization	105	Name Plate—M.A.A.	29
Knob		Navigation Light	
Pull	62, 64	Left	5
Push-Pull Control	62, 64	Right	13
Thumb Latch	59	Nose Cowl	67, 69
L		O	
Landing Gear		“O” Ring	
Crosswind	117	Fuel Selector Valve	81
Installation	49	Master Cylinder	43
Landing Light	113	Oil Dilution System	110
Landing Light Gap Cover	5	Optional Instruments	104
Latch		Outlet Assembly—Cabin Air Vent	29
Assembly—Cowl Fastener	66, 69	Outside Air Temperature Gage	104
Assembly—Door	57	P	
Assembly—Flap Lever	29	Pad—Tailwheel Attachment (Rubber)	40
Assembly—Window	57, 59	Panel	
Glove Compartment Door	62	Instrument	61, 62
Seat Back Adjustment	79	Shock	61, 62
Leading Edge Assembly		Stationary Instrument	62
Left Center	9	Switch and Fuse	61, 64
Left Inboard	9	Pants—Wheel	121
Left Outboard	10	Parting Angle—Cowl	67, 69
Right Center	17	Pawl—Flap	11, 19
Right Inboard	17	Pedal	
Right Outboard	17	Brake and Rudder	45, 111
Leaf—Tailwheel Spring	40	Co-Pilot's Rudder	45
Lever Assembly—Flap	29	Phone Jack	96
Light		Piston—Brake	50
Assembly—Dome	31	Pitot System	82
Landing	113	Placard	
Tail	25	Baggage	109,
Wing Position—Left	5	Heater	95
Wing Position—Right	13	Plate	
Lighter—Cigar	62, 64	Floorboard Kick	75
Liner—Baggage Compartment	75	Inspection	3, 5, 13, 29, 75
Lining—Brake	50	Landing Gear Fillet	49
Link		Plexiglass Decoration	62, 64
Aileron Push-Pull	10, 18	Pneumatic Tail Wheel	119
Dual Brakes	111	Primer—Engine	61, 64
Elevator Control—Front	47	Propeller	
Elevator Control—Rear	87	Metal	112
Flap Push-Pull	11, 19	Optional	112
Lip—Lower Cowl	66, 69, 109	Spinner	112
Load Coil—Antenna	96	Standard	3
Lock Assembly—Door	57, 59	Wood	3
Lock—Control	121	Pylon—Elevator Actuating	27
Lugs			
Hoisting	123		
Tie Down	20		

ILLUSTRATED PARTS CATALOG



ALPHABETICAL INDEX

PART NAME	PAGE	PART NAME	PAGE
R			
Radio Installation G. E. AS-2A	96	Speaker—Radio	96
Rear Seat	79	Spinner—Propeller	112
Recording Tachometer	104	Spring Brake and Rudder Return	45
Regulator—Voltage	55	Flap Lever	29
Resistor—Power	61, 65	Flap Return	11, 19
Retainer Compass Card	61, 62	Landing Gear	49
Fuse	61, 64	Tailwheel Leaf	40
Rheostat	61, 65	Stabilizer Assembly	23
Ring—Cargo Tie Down	123	Stack—Heater Exhaust	95
Roller—Seat	77	Stall Warning Unit Instrument Panel	65
Rudder Assembly	25	Wing	5
Control System	90	Step Assembly Cabin	31
Pedal Installation	45	Floatplane	109
Runner—Seat	31	Stop Control Lock	29
S			
Safety Belt Bracket	29	Tab Limit	89
Front	29	Thumb Latch Bolt	59
Rear	79	Strainer Fuel	81
Scoop Cabin Vent	9, 17	Fuel Tank	5, 13
Carburetor Air	67, 69	Strap Assist	75
Screen—Heater	95	Battery Ground	55
Seat Assembly Camera	127	Fuel Tank	7, 15
Front	77	Shock Panel Ground	61, 64
Rear	79	Structure Assembly Left Wing	10
Sensitive Altimeter	104	Right Wing	10
Shackle—Tailwheel Spring	40	Strut Assembly — Wing	20
Shaft Door Handle	57, 59	Suppressor — Generator	96, 99
Tab Control	89	Switch Heater	95
Tachometer Drive	71	Ignition	61, 65
Shelf—Baggage	75	Instrument Panel	61
Shield Asbestos Grommet	73	Landing Light	64
Control Tee	75	Master	64
Firewall Hole	73	Navigation Lights	64
Shim Fin Installation	23	Oil Dilution	110
Landing Gear	49, 117	Turn and Bank	64
Landing Gear Attachment	49	T	
Stabilizer Attachment	23	Tab Actuator	89
Skirt—Front Seat	77	Control Wheel	89
Socket—Instrument Light	64, 107	Elevator	27
Spar Elevator Auxiliary	27	Tachometer Recording	104
Elevator Front	27	Standard	61, 64
Fin Rear	20	Tail Cone Assembly — Aft Section	40
Fuselage—Front	35	Light	25
Fuselage—Rear	39	Wheel Assembly	51
Rudder Auxiliary	25	Wheel Spring Leaf	40
Rudder Front	25	Tank Assembly — Fuel — Left	5
Stabilizer—Front	23	Assembly — Fuel — Right	13
Stabilizer—Rear	23	Tee — Control	47
Wing Front—Left	7	Thermometer — Outside Air	104
Wing Front—Right	15	Thermostat — Heater	95
Wing Inboard Auxiliary—Left	8	Tip Assembly — Elevator	2
Wing Inboard Auxiliary—Right	16	Rudder	25
Wing Outboard Auxiliary—Left	8	Wing	8, 16
Wing Outboard Auxiliary—Right	16	Tube — Venturi	107
Wing Rear—Left	7	Tube Assembly — Aileron Carry Thru	85
Wing Rear—Right	15		

ILLUSTRATED PARTS CATALOG



ALPHABETICAL INDEX

PART NAME	PAGE	PART NAME	PAGE
U			
Upholstery		Wheel	
Installation	75	Assembly — Crosswind Gear	117
Panel — Door — Left	57	Assembly — Main	50
Panel — Door — Right	59	Control	47
		Fairings	121
V			
Valve		Window	
Assembly — Fuel Control	95	Assembly — Door	57, 59
Assembly — Manifold Cabin Heater	93	Assembly — Landing Light	113
Fuel Selector	81	Fuselage Aft Section	39
Safety	95	Windshield	36
Solenoid	110	Wing	
Vent — Fuel Tank	31	Assembly — Left	5
Venturi Tube	107	Assembly — Right	13
Vertical Speed Indicator	104	Fillet — Left	40
		Fillet — Right	40
Volt — Ammeter Gage	104	Leading Edge Assembly — Left	9
		Leading Edge Assembly — Right	17
		Position Light — Left	5
		Position Light — Right	13
		Structure — Left	7
		Structure — Right	15
		Tip Assembly — Left	8
		Tip Assembly — Right	16
		Wing Unit — Stall Warning Indicator	5
		Winterization Equipment	105
		Wiring	
		Diagram	53
		Installation	55
W			
Warning Unit — Stall	65		
Wedge — Landing Gear Support	49		
Weight — Aileron Balance	10, 18		

STANDARD EQUIPMENT SECTION

- ⑩ EQUIPMENT (INSTRUMENT PANEL)
- ⑪ CABIN UPHOLSTERY
- ⑫ ELECTRICAL DIAGRAM
- ⑬ FUEL SYSTEM
- ⑭ PITOT SYSTEM
- ⑮ AILERON CONTROL SYSTEM
- ⑯ ELEVATOR CONTROL SYSTEM
- ⑰ ELEVATOR TAB CONTROL SYSTEM
- ⑱ FLAP CONTROL SYSTEM
- ⑲ RUDDER CONTROL SYSTEM

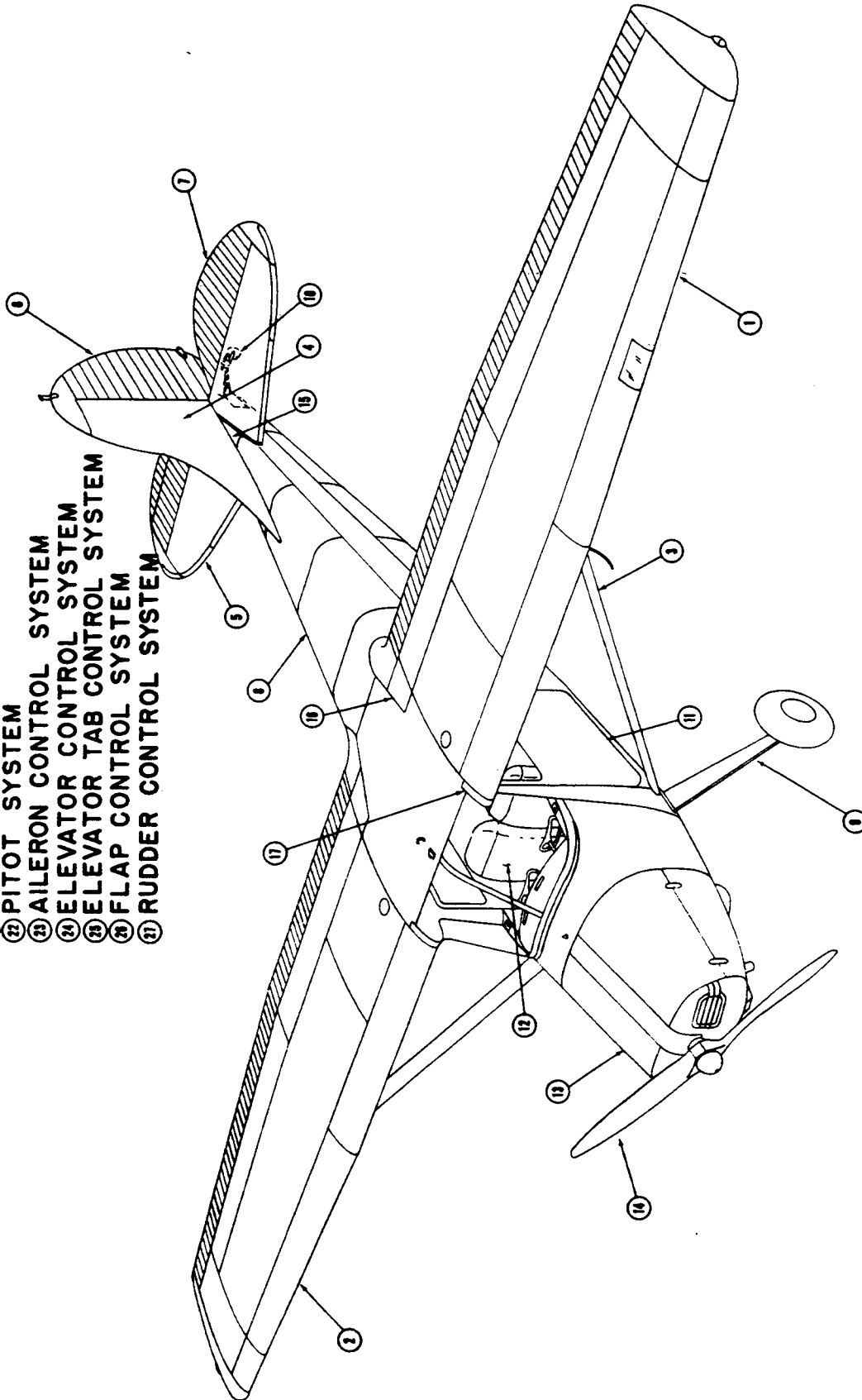


FIGURE 1— AIRPLANE ASSEMBLY

ILLUSTRATED PARTS CATALOG

FIGURE 1 AIRPLANE ASSEMBLY

FIGURE AND REF. NO.	PART NUMBER	PART NAME						UNITS REQ'D ON MODEL
		1	2	3	4	5	6	
	0500002	Airplane Assembly						
1-1	See Figure 2	Wing Assembly Complete - Left						1
1-2	See Figure 7	Wing Assembly Complete - Right						1
1-3	See Figure 12	Strut - Wing						1
1-4	See Figure 13	Fin Assembly						2
1-5	See Figure 14	Stabilizer Assembly						1
1-6	See Figure 15	Rudder Assembly						1
1-7	See Figure 16	Elevator Assembly						1
1-8	See Figure 17	Fuselage Assembly						1
1-9	See Figure 27	Landing Gear Installation						1
1-10	See Figure 29	Tailwheel						2
1-11	See Figure 32	Door Assembly - Left						1
	See Figure 33	Door Assembly - Right						1
1-12	See Figure 41	Seat Assembly - Front						1
	See Figure 42	Seat Assembly - Rear						2
1-13	See Figure 38	Engine Installation						1
	See Figure 36	Engine Cowl						1
1-14		Propeller						1
1-15	0530008	Fairing - L. H.						1
	0530008-1	Fairing - R. H.						1
	PK76XZ-8-8	Screws						1
1-16	0520006	Inspection Plate - L. H.						6
	0520006-1	Inspection Plate - R. H.						1
	PK76XZ-8-8	Screw						1
1-17	0520005	Fairing - Forward L. H.						14
	0520005-1	Fairing - Forward R. H.						1
	0411852	Washer						1
	PK76XZ-8-8	Screw						12
	AN526-832R8	Screw						20
1-18	See Figure 34	Equipment - Instrument Panel						6
1-19	See Figure 40	Cabin Upholstery						1
1-20	See Figure 30	Electrical Wiring Diagram						1
1-21	See Figure 43	Fuel System						1
1-22	See Figure 44	Pitot System						1
1-23	See Figure 46	Aileron Control System						1
1-24	See Figure 47	Elevator Control System						1
1-25	See Figure 48	Elevator Tab Control System						1
1-26	See Figure 45	Flap Control System						1
1-27	See Figure 49	Rudder Control System						1

ORDER BY PART NUMBER AND NAME

SERIAL NUMBER AND COLOR IF APPLICABLE

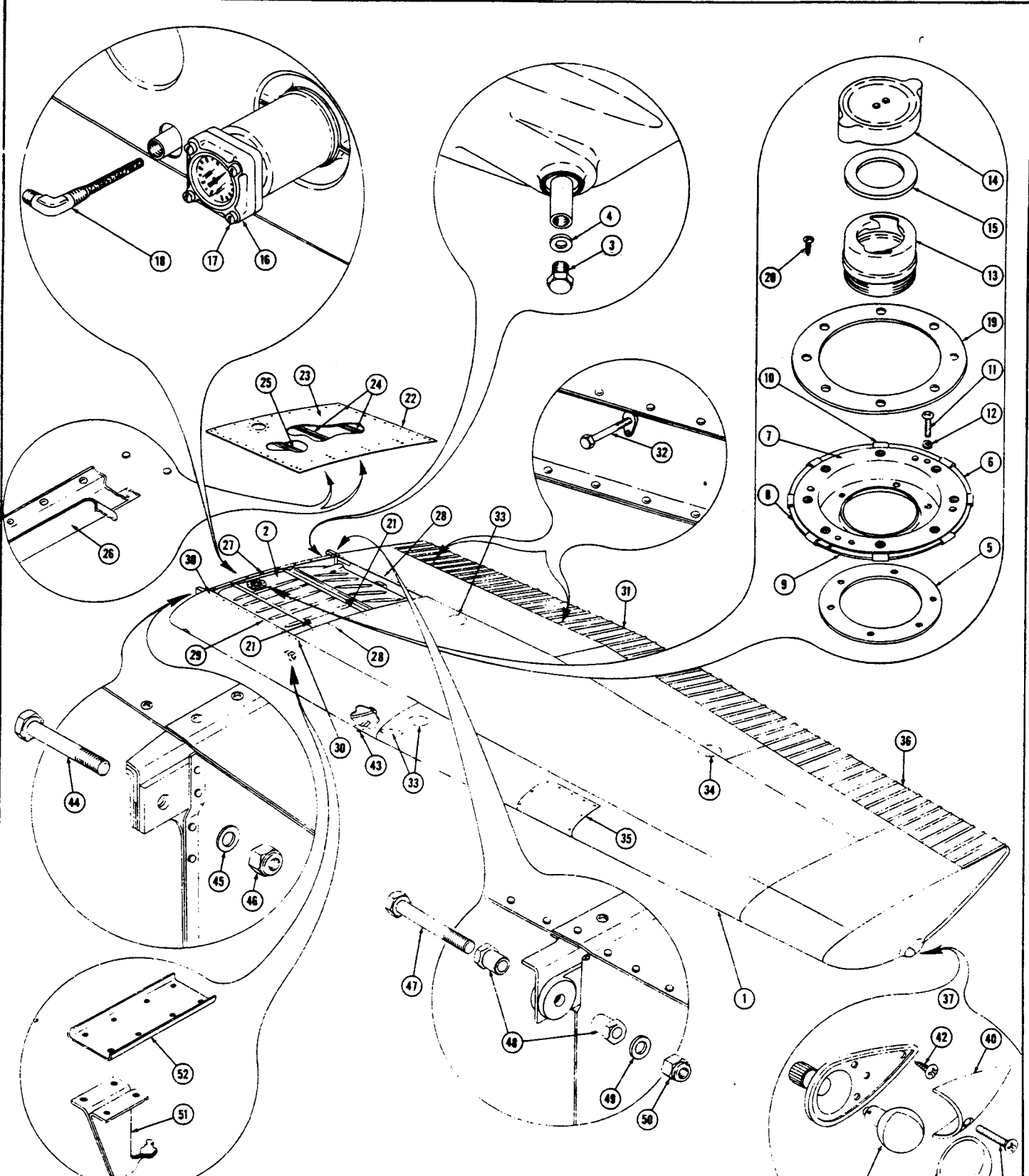


FIGURE 2 - WING ASS'Y - COMPLETE - LEFT

ILLUSTRATED PARTS CATALOG

FIGURE 2

WING ASSEMBLY - COMPLETE - LEFT

FIGURE AND REF. NO.	PART NUMBER	PART NAME						UNITS REQ'D ON MODEL
		1	2	3	4	5	6	
	0523000	Wing Assembly + Complete - Left						
2-1	See Figure 3	Structure Assembly - Wing - Left						1
2-2	0523520	Fuel Tank Assembly - Left						1
2-3	AN814-4D	Plug						1
2-4	AN902-4	Gasket						1
2-5	0523532	Gasket						1
2-6	0523520-8	Adapter Assembly						2
2-7	0523529	Adapter						1
2-8	0523530	Retainer Assembly						1
2-9	0523530-2	Strip						2
2-10	NAS395-17-3	Nut - (Tinnerman A1348-8Z-3)						2
2-11	AN515-10R10	Screw						8
2-12	0311001-27	Washer						6
2-13	0311240-17	Nock						6
2-14	0311360-4	Cap Assembly - Fuel Tank						1
2-15	0311360-5	Gasket						1
2-16	0422006-2	Gage - Fuel						1
2-17	AN502-416-10	Screw						1
	1114-5	Washer - Shakeproof						4
2-18	0522621	Fuel Strainer Assembly						4
2-19	0523531	Seal						1
2-20	PK76XZ-8-10	Screw						AR
2-21	AN526-1032R26	Screw - (Attach Tank Straps)						8
2-22	0523521	Cover Assembly - Fuel Tank - Left						2
2-23	0523521-7	Skin Assembly - Left						1
2-24	0523518-1	Hat Section						1
2-25	0523518-2	Hat Section - Forward						2
2-26	0523521-5	Pad - Center Hat Section						1
	0523521-6	Pad - Forward Hat Section						1
2-27	NAS228-7	Screw						1
2-28	NAS228-8	Screw						7
2-29	NAS228-9	Screw						27
2-30	NAS228-12	Screw						11
2-31	See Figure 6	Flap Installation - Left						3
2-32	0523214	Bolt - Flap Stop						1
2-33	0311516	Plate - Inspection						2
	PK76XZ-8-8	Screw						3
2-34	0322128	Plate - Inspection						9
	NAS395-12-3	Nut - (Tinnerman A1786-8Z-3)						1
	PK76XZ-8-6	Screw						4
2-35	0523115-2	Cover - Landing Light Gap						4
	PK76XZ-8-6	Screw						1
2-36	See Figure 5	Aileron Installation - Left						18
2-37	0423006-1	Light Assembly - Wing Position						1
2-38	0423006-6	Bulb - Wing Position Light - 12 Volt						1
2-39	0423006-2	Lens - Wing Position Light - Red						1
2-40	0423006-5	Fairing - Wing Position Light						1
2-41	PK148-632-10	Screw - (Attach Fairing to Lamp Base)						1
2-42	PK76XZ-6-6	Screw - (Attach Light Assembly to Wing Tip)						1
2-43	0511062-4	Wing Unit - Stall Warning Indicator						3
	PK76XZ-8-6	Screw - (Attach Wing Unit)						1
	NAS395-17-3	Nut - (Tinnerman A1348-8Z-3)						4
2-44	AN8-23A	Bolt - (Attach Front Spar to Fuselage)						4
2-45	AN960-816	Washer						1
2-46	AN365-820	Nut						1
2-47	AN7-24A	Bolt - (Attach Rear Spar to Fuselage)						1
2-48	0512123	Bushing						1
2-49	AN960-716	Washer						2
2-50	AN365-720	Nut						1
2-51	0523004-6	Bracket - Door Catch - Left						1
2-52	0523004-2	Channel - Door Catch Reinforcement						Ref. Ref.

ORDER BY PART NUMBER AND NAME

SERIAL NUMBER AND COLOR IF APPLICABLE

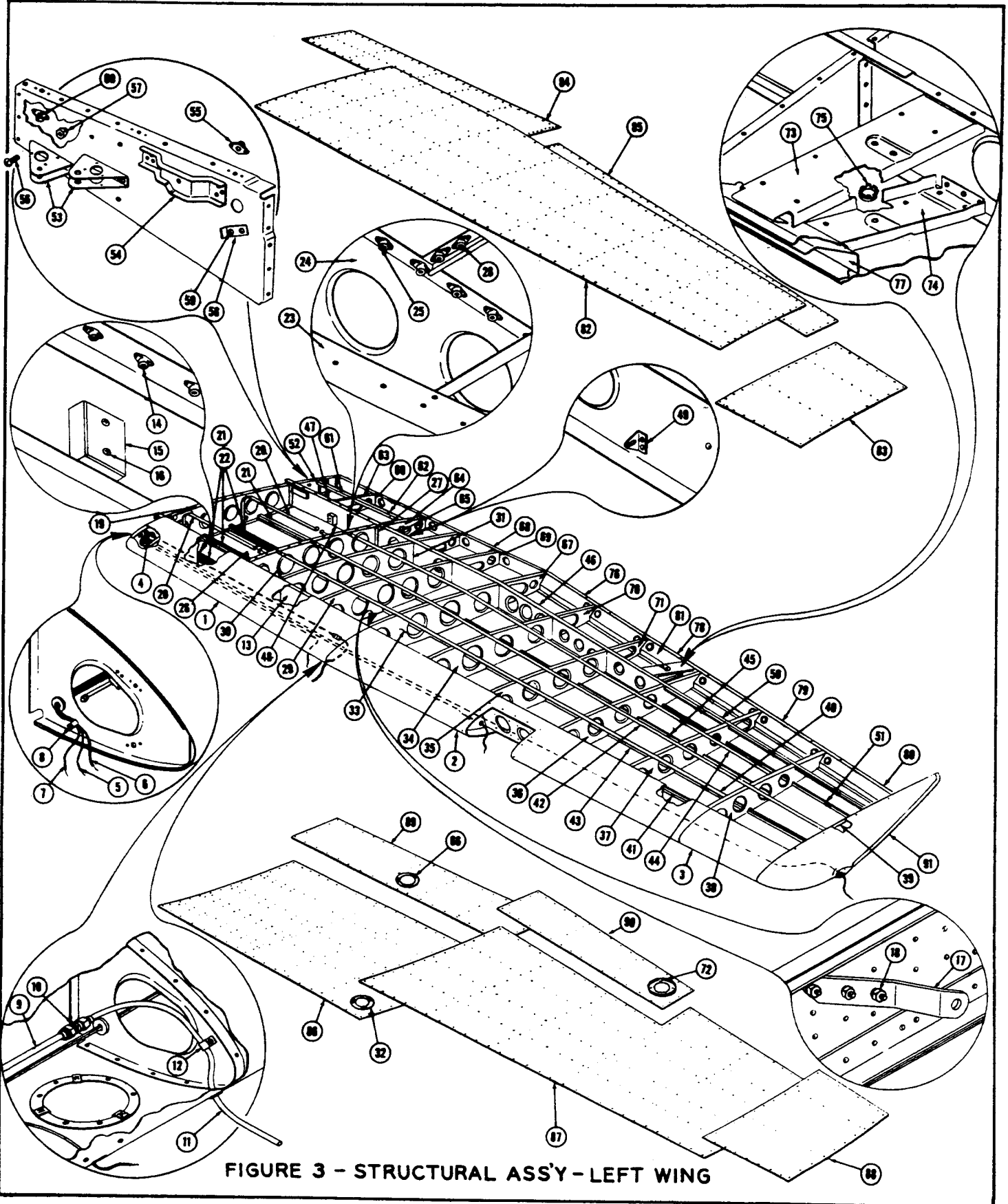


FIGURE 3 - STRUCTURAL ASS'Y - LEFT WING

ILLUSTRATED PARTS CATALOG

FIGURE 3

STRUCTURE ASSEMBLY - LEFT WING

FIGURE AND REF. NO.	PART NUMBER	PART NAME						UNITS REQ'D ON MODEL
		1	2	3	4	5	6	
	0523002	Structure Assembly - Left Wing						
3-1	See Figure 4	Leading Edge Assembly - Left Inboard (Sta. 23.625 To Sta. 100.00)						1
3-2	See Figure 4	Leading Edge Assembly - Left Center (Sta. 100 To 190)						1
3-3	See Figure 4	Leading Edge Assembly - Left Outboard (Sta. 190 To 208)						1
3-4	AN526-632R8	Screw						1
	AN365-632	Nut						1
	A2980A-4	Clamp - Tinnerman						1
3-5	0500005-74	Wire - Landing Light						1
3-6	0500005-81	Wire - Stall Warning Indicator						1
3-7	0500005-38	Wire - Navigation Light						1
3-8	A3046A-4	Clamp - Tinnerman						1
	PK76XZ-8-8	Screw						1
	NAS446-4	Nut - (Tinnerman A1778-8Z-3)						1
3-9	0500106-54	Tube - Pitot						1
3-10	AN815-4D	Fitting						1
3-11	0500106-53	Tube - Pitot						1
3-12	AN526-632R8	Screw						1
	AN365-632	Nut						2
	A2980A-4	Clamp - Tinnerman						2
3-13	0523300	Front Spar Assembly - Left						2
3-14	AN366-F832	Nutplate						1
3-15	0523524	Spacer						14
3-16	#10 - 5/8" long	Screw - Truss Head						1
3-17	0523306	Fitting						2
3-18	AN5-7A	Bolt						1
	AN960-516	Washer						3
	AN364-524	Nut						3
3-19	0523507	Rib Assembly - Wing Root Left (Sta. 23.625)						3
	AN366F832	Nutplate						1
	NAS444-14	Nutplate - (Tinnerman A6162-8Z-3)						7
	NAS445-14	Nutplate - (Tinnerman A6163-8Z-3)						5
3-20	0523522	Strap - Tank						1
3-21	0523519	Stiffener						1
3-22	0523002-47	Pad - Neoprene						4
3-23	0523003-48	Doublers						3
3-24	0523508	Rib Assembly - Gas Tank (Sta. 57.125)						1
3-25	AN366F832	Nutplate						1
3-26	0523517-2	Spacer						11
3-27	0523517-1	Spacer						1
3-28	AN366F832	Nutplate						1
3-29	0523509	Rib - Center Bay (Sta. 85.625 And 71.375)						6
3-30	0523517-4	Spacer						2
3-31	0523517-3	Spacer						1
3-32	0511000-20	Doublers						1
	NAS395-14-3	Nut - (Tinnerman A1274-8Z-3)						1
3-33	0523510	Rib - Center Bay (Sta. 100)						3
3-34	0523511-3	Rib - Center Bay (Sta. 118)						1
3-35	0523512-3	Rib - Center Bay (Sta. 136)						1
3-36	0523513-3	Rib - (Sta. 154)						1
3-37	0523514-3	Rib - (Sta. 172)						1
3-38	0523515-3	Rib - (Sta. 190)						1
3-39	0523516-5	Rib - (Sta. 208)						1
	NAS444-4	Nutplate - (Tinnerman A6191-8Z-3)						1
3-40	0523002-34	Stringer - Upper						10
3-41	0523002-35	Stringer - Lower						1
3-42	0523002-36	Stringer - Upper						1
3-43	0523002-37	Stringer - Lower						1
3-44	0523002-38	Stringer - Upper						1
3-45	0523002-39	Stringer - Lower						1
3-46	0523400	Rear Spar Assembly - Left						1
	0523400-10	Segment Assembly - Rear Spar Inboard - Left (Sta. 23.625 To 100.00)						1
3-47	AN366F832	Nutplate						1
3-48	0523524	Spacer						10
	#10 - 5/8" long	Screw - Truss Head						1
3-49	0520120-3	Angle						2
	0523406	Segment - Rear Spar Outboard - Left (Sta. 100.00 To 154)						1
3-50	0523003-40	Stringer - Upper						1
3-51	0523003-40	Stringer - Lower						1
3-52	0523208	Rib Assembly - Trailing Edge Root (Sta. 23.625)						1
3-53	0411447	Bracket						1
3-54	0520112-1	Bracket						2
3-55	AN366F1032	Nutplate						1
3-56	AN520R7	Screw						1
3-57	AN365-1032	Nut						2
3-58	0523266-2	Catch + Flap Lock (Serials 18965 and on)						2

ORDER BY PART NUMBER AND NAME

SERIAL NUMBER AND COLOR IF APPLICABLE



ILLUSTRATED PARTS CATALOG

FIGURE 3

STRUCTURE ASSEMBLY - LEFT WING (CONTINUED)

FIGURE AND REF. NO.	PART NUMBER	PART NAME						UNITS REQ'D ON MODEL	
		1	2	3	4	5	6		
	0523266							Catch + Flap Lock (Serials 18729 To 18965)	1
3-59	AN366F832							Nutplate - (Serials 18965 and on)	2
	AN526-832R7							Screw - (Serials 18965 and on)	2
3-60	AN366F832							Nutplate	6
3-61	0523002-49							Angle	2
3-62	0523002-48							Angle	2
3-63	0523209-1							Rib - Trailing Edge	3
3-64	0523209-2							Rib Assembly - Trailing Edge	1
3-65	0523210							Fairlead	1
3-66	0511000-20							Doubler	1
	NAS395-14-3							Nut - (Tinnerman A1274-8Z-3)	3
3-67	0523211							Rib - Trailing Edge (Sta. 100)	1
3-68	0523213							Spar - Inboard Auxiliary Left	1
3-69	AN366F1032							Nutplate	2
3-70	0523511-4							Rib - Trailing Edge (Sta. 118)	1
3-71	0523512-4							Rib - Trailing Edge (Sta. 136)	1
3-72	0322127							Stiffener	1
3-73	0523219-2							Channel	1
3-74	0523219-4							Channel	1
3-75	NAS451-56							Plug Button - (United Carr 48155)	1
3-76	0523813-1							Filler	1
3-77	0523215							Reinforcement - (Sta. 154)	1
	0523216							Reinforcement - (Sta. 118 And 190)	2
3-78	0523813-4							Filler	1
3-79	0523813-2							Filler	1
3-80	0523813-3							Filler	1
3-81	0523206							Spar - Outboard Auxiliary Left	1
3-82	0523002-16							Skin - Upper Center Bay (Sta. 57.125 To 190)	1
3-83	0523003-18							Skin - Upper Center Bay (Sta. 190 To 208)	1
3-84	0523002-26							Skin - Upper Trailing Edge (Sta. 23.625 To 100)	1
3-85	0523003-32							Skin - Upper Trailing Edge (Sta. 100 To 190)	1
3-86	0523002-22							Skin - Lower Center Bay (Sta. 23.625 To 100)	1
3-87	0523003-24							Skin - Lower Center Bay (Sta. 100 To 190)	1
3-88	0523003-20							Skin - Lower Center Bay (Sta. 190 To 208)	1
3-89	0523002-28							Skin - Lower Trailing Edge (Sta. 23.625 To 100)	1
3-90	0523003-30							Skin - Lower Trailing Edge (Sta. 100 To 154)	1
3-91	0523700							Tip Assembly	1
	NAS445-2							Nutplate - (Tinnerman A6196-6Z-3)	3
	0523004-6							Bracket - Door Catch - Left (See Item 51, Figure 2)	1
	0523004-2							Channel - Door Catch Reinforcement (See Item 52, Figure 2)	1

ORDER BY PART NUMBER AND NAME

SERIAL NUMBER AND COLOR IF APPLICABLE

ILLUSTRATED PARTS CATALOG

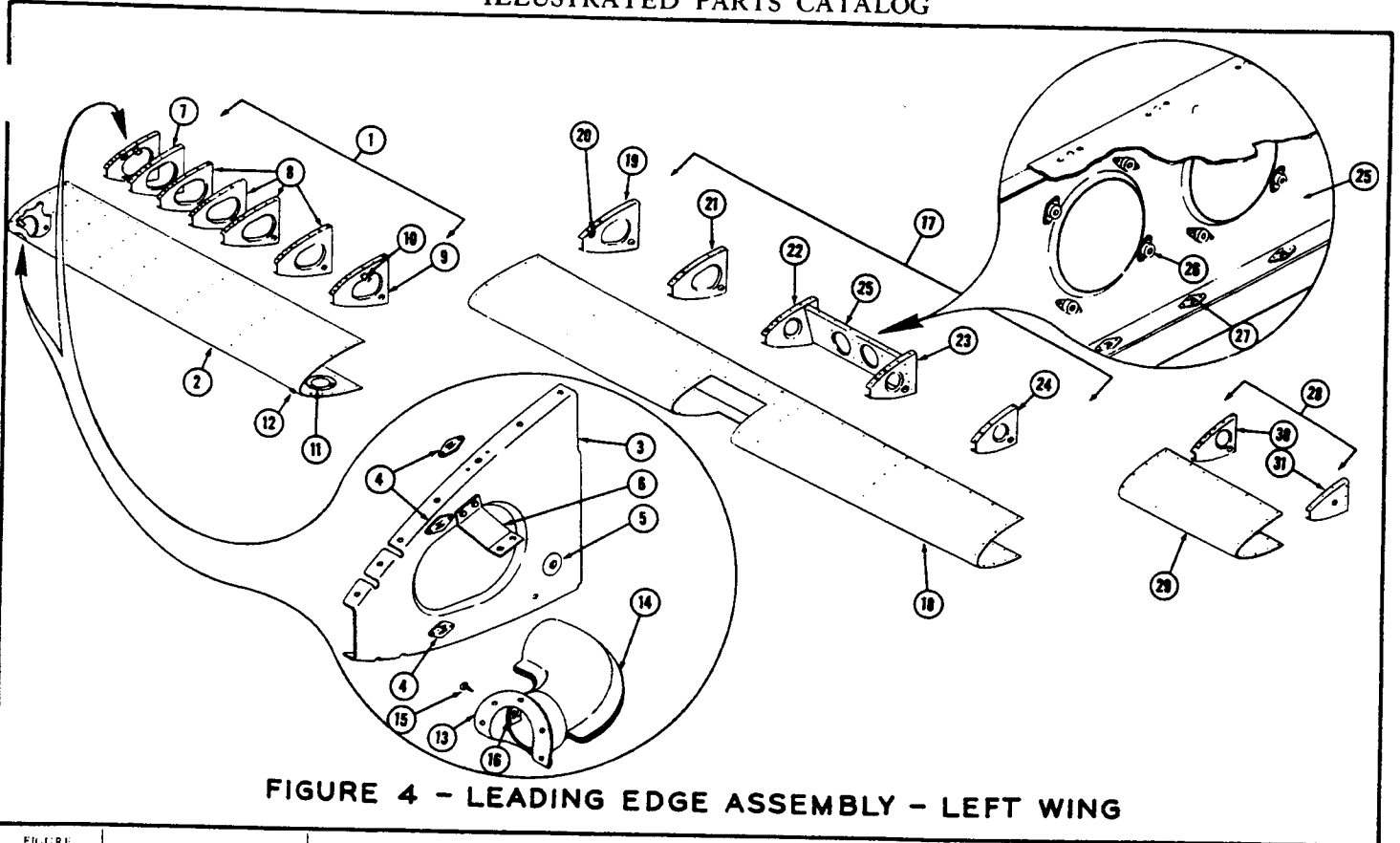


FIGURE 4 - LEADING EDGE ASSEMBLY - LEFT WING

FIGURE AND REF. NO.	PART NUMBER	PART NAME						UNITS REQ'D ON MODEL
		1	2	3	4	5	6	
4-1	0523002-54	Leading Edge Assembly - Left Inboard						
4-2	0523002-14	Skin - Leading Edge (Sta. 23.625 To 100.00)						1
4-3	0523107-2	Rib Assembly - Nose						1
4-4	NAS444-5	Nutplate - (Tinnerman A6195-8Z-3)						1
4-5	AN230-A2	Grommet						2
4-6	0422291	Bracket						1
	NAS444-5	Nutplate - (Tinnerman A6195-8Z-3)						1
4-7	0523107	Rib Assembly - Nose						2
	AN230-A2	Grommet						1
4-8	0523108	Rib Assembly - Nose						1
	AN230-A2	Grommet						4
4-9	0523108-3	Rib Assembly - Nose						1
	AN230-A2	Grommet						1
4-10	0422292	Bracket						1
4-11	0511000-20	Doupler						1
	NAS395-14-3	Nut - (Tinnerman A1274-8Z-3)						1
4-12	AN931-4-7	Grommet						3
4-13	0413157	Scoop - Cabin Vent						1
4-14	0413233	Elbow - Cabin Vent						1
4-15	PK76X2-8-8	Screw						1
4-16	NAS446-4	Nut - (Tinnerman A1778-8Z-3)						1
4-17	0523002-55	Leading Edge Assembly - Left Center						1
4-18	0523003-10	Skin - Leading Edge (Sta. 100.00 To 190)						1
4-19	0523109	Rib Assembly - Nose (Sta. 100.00)						1
	AN230-A2	Grommet						1
4-20	NAS444-1	Nutplate - (Tinnerman A6191-6Z-3)						1
4-21	0523511-5	Rib Assembly - Nose (Sta. 118)						1
	AN230-A2	Grommet						1
4-22	0523512-5	Rib Assembly - Nose (Sta. 136)						1
	AN230-A2	Grommet						1
4-23	0523513-4	Rib Assembly - Nose (Sta. 154)						1
	AN230-A2	Grommet						1
4-24	0523514-4	Rib Assembly - Nose (Sta. 172)						1
	AN230-A2	Grommet						1
4-25	0523106	Bracket Assembly						1
4-26	AN366-F832	Nutplate						8

ORDER BY PART NUMBER AND NAME

SERIAL NUMBER AND COLOR IF APPLICABLE

ILLUSTRATED PARTS CATALOG

FIGURE 4 LEADING EDGE ASSEMBLY - LEFT WING (CONTINUED)

FIGURE AND REF. NO.	PART NUMBER	PART NAME						UNITS REQ'D ON MODEL
		1	2	3	4	5	6	
4-27	NAS444-5							18
4-28	0523002-52							1
4-29	0523003-12							1
4-30	0523515-4							1
	AN230-A2							1
4-31	0523516-4							1
	AN230-A2							1

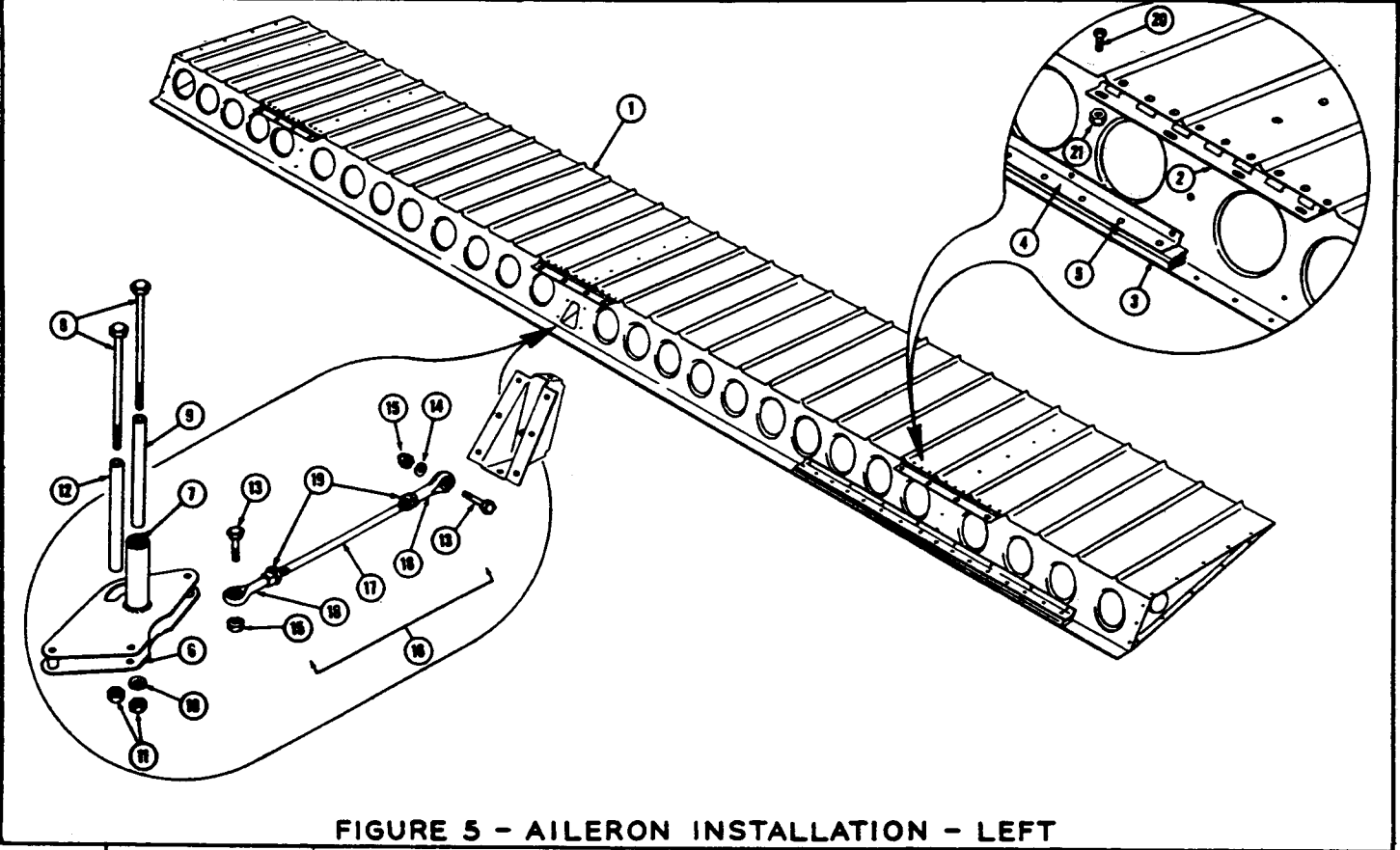


FIGURE 5 - AILERON INSTALLATION - LEFT

FIGURE AND REF. NO.	PART NUMBER	PART NAME						UNITS REQ'D ON MODEL
		1	2	3	4	5	6	
5-1	0523800							1
5-2	0523807							3
5-3	0523815							1
5-4	0523814							1
5-5	AN470B4-10							16
5-6	0523223							1
5-7	B610X							2
5-8	AN4-42A							2
5-9	0523221							1
5-10	0522629							1
5-11	AN365-428							2
5-12	0523222							1
5-13	AN3-7A							2
5-14	AN960-10							1
5-15	AN365-1032							2
5-16	0523218							1
5-17	0523218-2							1
5-18	NAS36							2
5-19	AN316-4R							2
5-20	NAS229-8							12
5-21	AN365-1032							12

ORDER BY PART NUMBER AND NAME

SERIAL NUMBER AND COLOR IF APPLICABLE

ILLUSTRATED PARTS CATALOG

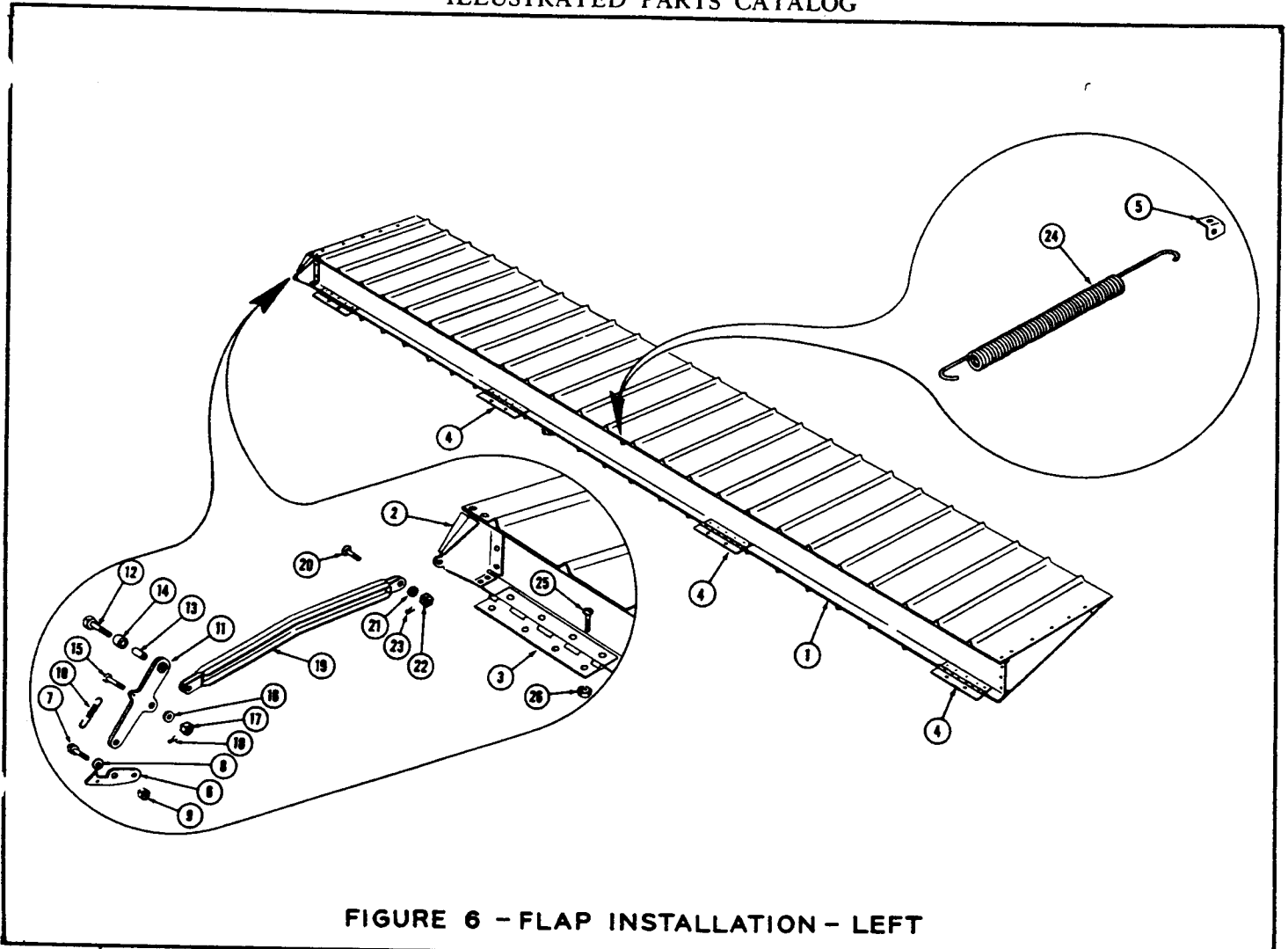


FIGURE 6 - FLAP INSTALLATION - LEFT

FIGURE AND REF. NO.	PART NUMBER	PART NAME						UNITS REQ'D ON MODEL
		1	2	3	4	5	6	
6-1	0523900	Flap Assembly - Left						1
6-2	0523910		Horn					1
6-3	0525107		Hinge					1
6-4	0425113		Hinge					1
6-5	0520120-2		Bracket					3
6-6	0523228		Pawl					1
6-7	AN3-4A		Bolt					1
6-8	0523229		Bushing					1
6-9	AN365-1032		Nut					1
6-10	0523227		Spring					1
6-11	0523224		Bellcrank					1
6-12	AN3-7A		Bolt					1
6-13	0520111		Bushing					1
6-14	0520114		Spacer					1
6-15	AN23-9		Bolt					1
6-16	AN960-10L		Washer					1
6-17	AN310-3		Nut					1
6-18	AN380-2-4		Pin - Cotter					1
6-19	0523225		Link Assembly					1
6-20	AN23-8		Bolt					1
6-21	AN960-10L		Washer					1
6-22	AN310-3		Nut					1
6-23	AN380-2-4		Pin - Cotter					1
6-24	0523207		Spring					1
6-25	NAS229-8		Screw - (Attach Flap to Wing)					1
6-26	AN365-1032		Nut - (Attach Flap to Wing)					10

ORDER BY PART NUMBER AND NAME

SERIAL NUMBER AND COLOR IF APPLICABLE

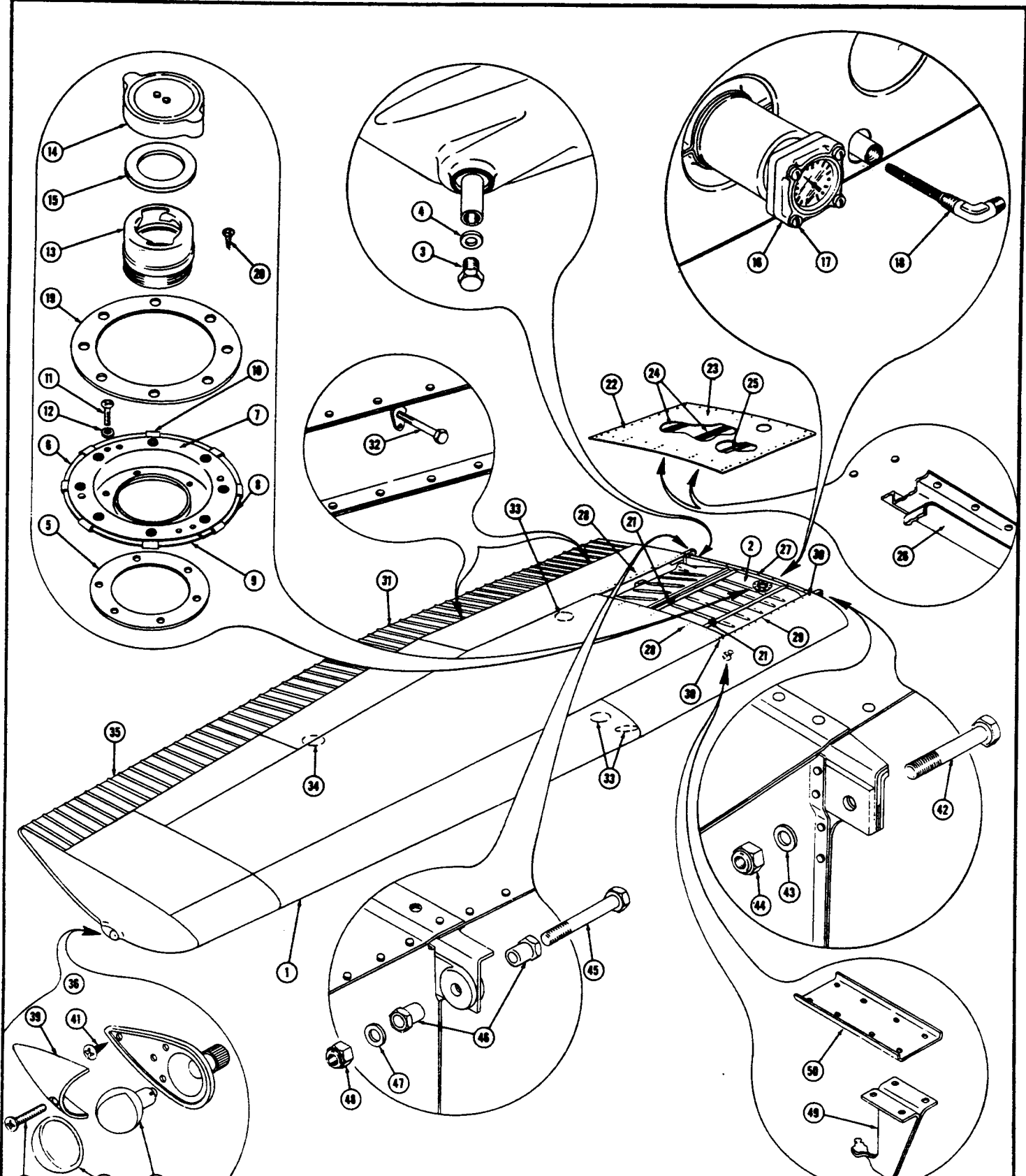


FIGURE 7 - WING ASSEMBLY - COMPLETE - RIGHT

ILLUSTRATED PARTS CATALOG

FIGURE 7 WING ASSEMBLY - COMPLETE - RIGHT

FIGURE AND REF. NO.	PART NUMBER	PART NAME						UNITS REQ'D ON MODEL
		1	2	3	4	5	6	
	0523000-1	Wing Assembly - Complete - Right						1
7-1	See Figure 8	Structure Assembly - Wing - Right						1
7-2	0523520-1	Fuel Tank Assembly - Right						1
7-3	AN814-4D	Plug						1
7-4	AN902-4	Gasket						1
7-5	0523532	Gasket						1
7-6	0523520-8	Adapter Assembly						2
7-7	0523529	Adapter						1
7-8	0523530	Retainer Assembly						1
7-9	0523530-2	Strip						2
7-10	NAS395-17-3	Nut - (Tinnerman A1348-8Z-3)						2
7-11	AN515-10R10	Screw						8
7-12	0311001-27	Washer						6
7-13	0311240-17	Nock						6
7-14	0311360-4	Cap Assembly - Fuel Tank						1
7-15	0311360-5	Gasket						1
7-16	0422006-2	Gage - Fuel						1
7-17	AN502-416-10	Screw						1
	1114-5	Washer - Shakeproof						4
7-18	0522621	Fuel Strainer Assembly						4
7-19	0523531	Seal						1
7-20	PK76XZ-8-10	Screw						AR
7-21	AN526-1032R26	Screw - (Attach Tank Straps)						8
	AN365-1032	Nut						2
7-22	0523521-1	Cover Assembly - Right Fuel Tank						2
7-23	0523521-8	Skin Assembly - Right						1
7-24	0523518-1	Hat Section						1
7-25	0523518-2	Hat Section						2
7-26	0523521-5	Pad - Center Hat Section						1
	0523521-6	Pad - Forward Hat Section						1
7-27	NAS228-7	Screw						1
7-28	NAS228-8	Screw						7
7-29	NAS228-9	Screw						27
7-30	NAS228-12	Screw						11
7-31	See Figure 11	Flap Installation - Right						3
7-32	0523214	Bolt - Flap Stop						1
7-33	0311516	Plate - Inspection						2
	PK76XZ-8-8	Screw						3
7-34	0322128	Plate - Inspection						9
	NAS395-12-3	Nut - (Tinnerman A1786-8Z-3)						1
	PK76XZ-8-6	Screw						4
7-35	See Figure 10	Aileron Installation - Right						4
7-36	0423006-3	Light Assembly - Wing Position						1
7-37	0423006-6	Bulb - Wing Position Light - 12 Volt						1
7-38	0423006-4	Lens - Wing Position Light - Green						1
7-39	0423006-5	Fairing - Wing Position Light						1
7-40	PK148-632-10	Screw - (Attach Fairing To Lamp Base)						1
7-41	PK76XZ-6-6	Screw - (Attach Light Assembly To Wing Tip)						1
7-42	AN8-23A	Bolt - (Attach Front Spar To Fuselage)						3
7-43	AN960-816	Washer						1
7-44	AN365-820	Nut						1
7-45	AN7-24A	Bolt - (Attach Rear Spar To Fuselage)						1
7-46	0512123	Bushing						1
7-47	AN960-716	Washer						2
7-48	AN365-720	Nut						1
7-49	0523004-5	Bracket - Door Catch - Right						1
7-50	0523004-2	Channel - Door Catch Reinforcement						Ref.

ORDER BY PART NUMBER AND NAME

SERIAL NUMBER AND COLOR IF APPLICABLE

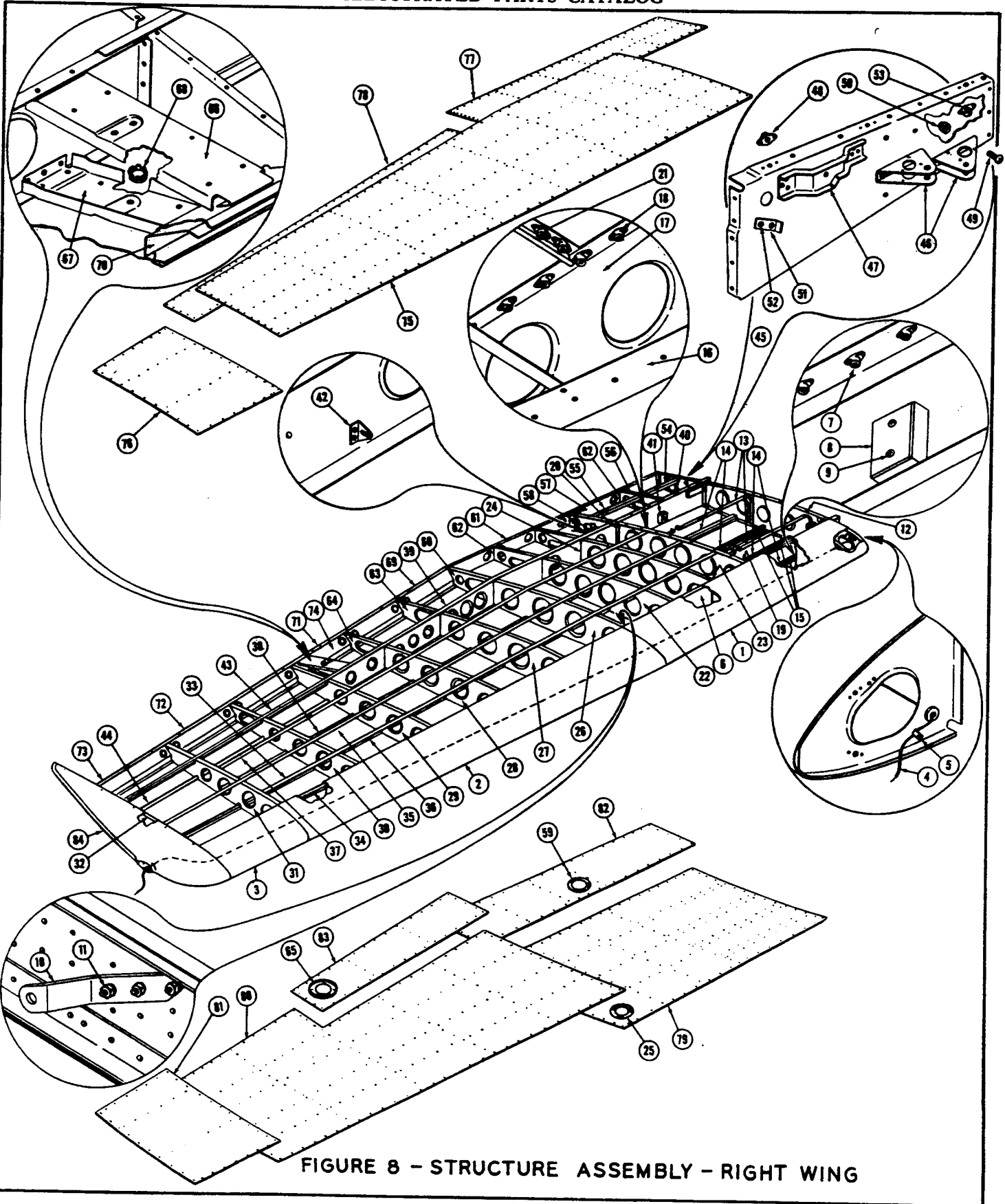


FIGURE 8 - STRUCTURE ASSEMBLY - RIGHT WING

ILLUSTRATED PARTS CATALOG

FIGURE 8

STRUCTURE ASSEMBLY - RIGHT WING

FIGURE AND REF. NO.	PART NUMBER	PART NAME						UNITS REQ'D ON MODEL
		1	2	3	4	5	6	
	0523002-1	Structure Assembly - Right Wing						
8-1	See Figure 9	Leading Edge Assembly - Right Inboard (Sta. 23.625 To Sta. 100.00)						1
8-2	See Figure 9	Leading Edge Assembly - Right Center (Sta. 100.00 To Sta. 190)						1
8-3	See Figure 9	Leading Edge Assembly - Right Outboard (Sta. 190 To 208)						1
8-4	0500005-37	Wire - Navigation Light						1
8-5	A2980A-3	Clamp - Tinnerman						1
	FK76XZ-8-8	Screw						1
	NAS446-4	Nut - (Tinnerman A1778-8Z-3)						1
8-6	0523300-1	Front Spar Assembly - Right						1
8-7	AN366-P832	Nutplate						1
8-8	0523524	Spacer						14
8-9	#10 - 5/8" long	Screw - Truss Head						1
8-10	0523306	Fitting						2
8-11	AN5-7A	Bolt						1
	AN960-516	Washer						3
	AN364-524	Nut						3
8-12	0523507-1	Rib Assembly - Wing Root Right (Sta. 23.625)						3
	AN366P832	Nutplate						1
	NAS444-14	Nutplate - (Tinnerman A6162-8Z-3)						7
	NAS445-14	Nutplate - (Tinnerman A6163-8Z-3)						5
8-13	0523522	Strap - Tank						1
8-14	0523519	Stiffener						2
8-15	0523002-47	Pad - Neoprene Coated Fabric (1/16 x 3/4)						4
8-16	0523003-48	Doublers						3
8-17	0523508-1	Rib Assembly - Gas Tank (Sta. 57.125)						1
8-18	AN366P832	Nutplate						1
8-19	0523517-2	Spacer						11
8-20	0523517-1	Spacer						1
8-21	AN366P832	Nutplate						1
8-22	0523509	Rib - Center Bay (Sta. 85.625 And 71.375)						6
8-23	0523517-4	Spacer						2
8-24	0523517-3	Spacer						1
8-25	0511000-20	Doublers						1
	NAS395-14-3	Nut - (Tinnerman A1274-8Z-3)						1
8-26	0523510-1	Rib - Center Bay (Sta. 100.00)						3
8-27	0523511-3	Rib - Center Bay (Sta. 118)						1
8-28	0523512-3	Rib - Center Bay (Sta. 136)						1
8-29	0523513-3	Rib - (Sta. 154)						1
8-30	0523514-3	Rib - (Sta. 172)						1
8-31	0523515-3	Rib - (Sta. 190)						1
8-32	0523516-5	Rib - (Sta. 208)						1
	NAS444-4	Nutplate - (Tinnerman A6191-8Z-3)						1
8-33	0523002-41	Stringer - Upper						10
8-34	0523002-42	Stringer - Lower						1
8-35	0523002-43	Stringer - Upper						1
8-36	0523002-44	Stringer - Lower						1
8-37	0523002-45	Stringer - Upper						1
8-38	0523002-46	Stringer - Lower						1
8-39	0523400-1	Rear Spar Assembly - Right						1
	0523400-11	Segment Assembly - Rear Spar Inboard - Right (Sta. 23.625 To 100)						1
8-40	AN366P832	Nutplate						1
8-41	0523524	Spacer						10
	#10 - 5/8" long	Screw - Truss Head						1
8-42	0520120-3	Angle						2
	0523406-1	Segment - Rear Spar Outboard - Right (Sta. 100.00 To 154)						1
8-43	0523003-40	Stringer - Upper						1
8-44	0523003-40	Stringer - Lower						1
8-45	0523208-1	Rib Assembly - Trailing Edge Root (Sta. 23.625)						1
8-46	0411447	Bracket						1
8-47	0520112	Bracket						2
8-48	AN366P1032	Nutplate						1
8-49	AN520-10R7	Bolt						1
8-50	AN365-1032	Nut						2
8-51	0523226-2	Catch - Flap Lock (Serials 18965 And On)						2
	0523226	Catch - Flap Lock (Serials 18729 To 18965)						1
8-52	AN366P832	Nutplate - (Serials 18965 And On)						1
	AN526-832R7	Screw - (Serials 18965 And On)						2
8-53	AN366P832	Nutplate						2
8-54	0523002-49	Angle						6
8-55	0523002-48	Angle						2
8-56	0523209-1	Rib - Trailing Edge						2
8-57	0523209-2	Rib Assembly - Trailing Edge						3
8-58	0523210	Fairlead						1
8-59	0511000-20	Doublers						1
	NAS395-14-3	Nut - (Tinnerman A1274-8Z-3)						1

ORDER BY PART NUMBER AND NAME

SERIAL NUMBER AND COLOR IF APPLICABLE



ILLUSTRATED PARTS CATALOG

FIGURE 8

STRUCTURE ASSEMBLY - RIGHT WING (CONTINUED)

FIGURE AND REF. NO.	PART NUMBER	PART NAME						UNITS REQ'D ON MODEL
		1	2	3	4	5	6	
8-60	0523211-1							3
8-61	0523213-1							1
8-62	AN366F1032							2
8-63	0523511-4							1
8-64	0523512-4							1
8-65	0322127							1
8-66	0523219-3							1
8-67	0523219-5							1
8-68	NAS451-56							1
8-69	0523813-1							1
8-70	0523215-1							1
	0523216							2
8-71	0523813-4							1
8-72	0523813-2							1
8-73	0523813-3							1
8-74	0523206-1							1
8-75	0523002-17							1
8-76	0523003-19							1
8-77	0523002-27							1
8-78	0523003-33							1
8-79	0523002-23							1
8-80	0523003-25							1
8-81	0523003-21							1
8-82	0523002-29							1
8-83	0523003-31							1
8-84	0523700							1
	NAS445-2							3
	0523004-5							1
	0523004-2							1

ORDER BY PART NUMBER AND NAME

SERIAL NUMBER AND COLOR IF APPLICABLE

ILLUSTRATED PARTS CATALOG

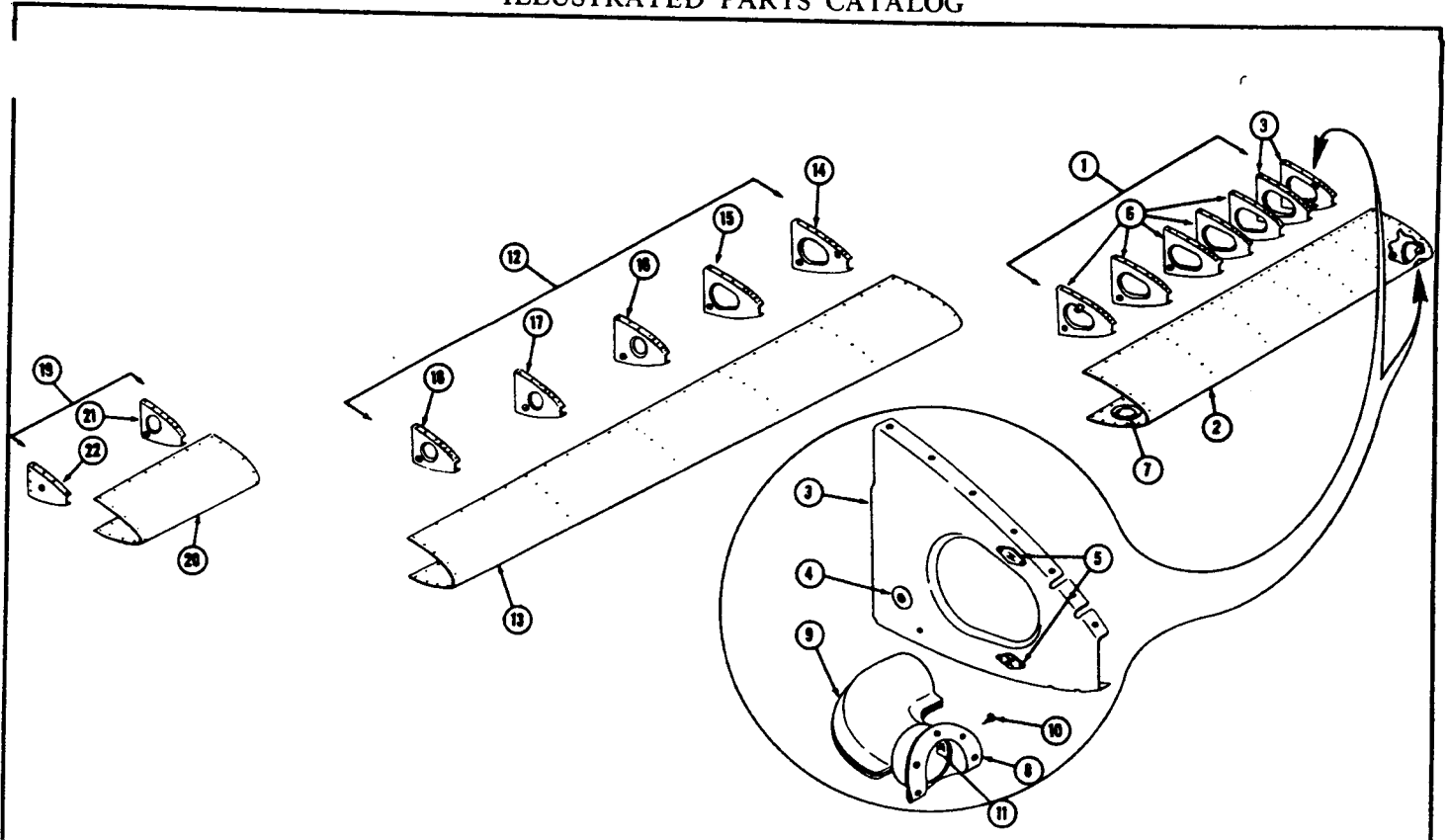


FIGURE 9 - LEADING EDGE ASSEMBLY - RIGHT WING

FIGURE AND REF. NO.	PART NUMBER	PART NAME						UNITS REQ'D ON MODEL
		1	2	3	4	5	6	
9-1	0523002-56	Leading Edge Assembly - Right Inboard						1
9-2	0523002-15	Skin - Leading Edge (Sta. 23.625 to 100.00)						1
9-3	0523107	Rib Assembly - Nose						2
9-4	AN230-A2	Grommet						1
9-5	NAS444-5	Nutplate - (Tinnerman A6195-8Z-3)						2
9-6	0523108	Rib Assembly - Nose						5
	AN230-A2	Grommet						1
9-7	0511000-20	Doubler						1
	NAS395-14-3	Nut - (Tinnerman A1274-8Z-3)						3
9-8	0413157	Scoop - Cabin Vent						1
9-9	0413233	Elbow - Cabin Vent						1
9-10	PK76XZ-8-8	Screw						1
9-11	NAS446-4	Nut - (Tinnerman A1778-8Z-3)						1
9-12	0523002-57	Leading Edge Assembly - Right Center						1
9-13	0523003-11	Skin - Leading Edge (Sta. 100.00 to 190)						1
9-14	0523109-1	Rib Assembly - Nose (Sta. 100)						1
	AN230-A2	Grommet						1
9-15	0523511-5	Rib Assembly - Nose (Sta. 118)						1
	AN230-A2	Grommet						1
9-16	0523512-5	Rib Assembly - Nose (Sta. 136)						1
	AN230-A2	Grommet						1
9-17	0523513-4	Rib Assembly - Nose (Sta. 154)						1
	AN230-A2	Grommet						1
9-18	0523514-4	Rib Assembly - Nose (Sta. 172)						1
	AN230-A2	Grommet						1
9-19	0523002-53	Leading Edge Assembly - Right Outboard						1
9-20	0523003-13	Skin - Leading Edge (Sta. 190 to 208)						1
9-21	0523515-4	Rib Assembly - Nose (Sta. 190)						1
	AN230-A2	Grommet						1
9-22	0523516-4	Rib Assembly - Nose (Sta. 208)						1
	AN230-A2	Grommet						1

ORDER BY PART NUMBER AND NAME

SERIAL NUMBER AND COLOR IF APPLICABLE

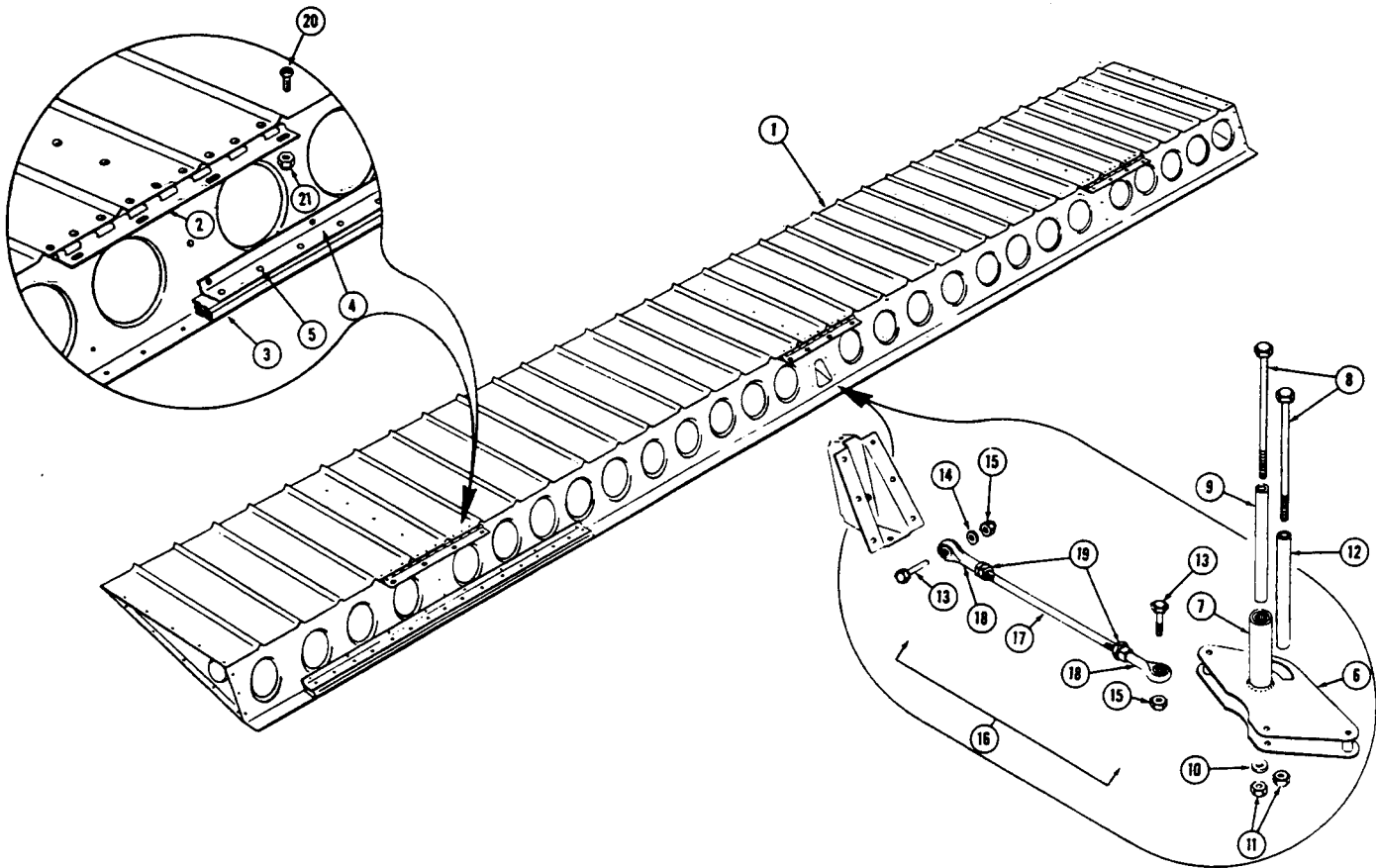


FIGURE 10 - AILERON INSTALLATION - RIGHT

FIGURE AND REF. NO.	PART NUMBER	PART NAME						UNITS REQ'D ON MODEL
		1	2	3	4	5	6	
10-1	0523800-1	Aileron Assembly - Right						1
10-2	0523807	Hinge						3
10-3	0523815	Weight						1
10-4	0523814	Bracket - Aileron Weight Attaching						1
10-5	AN470B4-10	Rivet						1
10-6	0523223-1	Bellcrank - Aileron						16
10-7	B610X	Bearing - Torrington						1
10-8	AN4-42A	Bolt						2
10-9	0523221	Bushing						2
10-10	0522629	Washer						1
10-11	AN365-428	Nut						1
10-12	0523222	Bushing						2
10-13	AN3-7A	Bolt						1
10-14	AN960-10	Washer						2
10-15	AN365-1032	Nut						1
10-16	0523218	Rod Assembly						2
10-17	0523218-2	Rod						1
10-18	NAS36	Rod End						1
10-19	AN316-4R	Nut - Check						2
10-20	NAS229-8	Screw - (Attach Aileron to wing)						12
10-21	AN365-1032	Nut - (Attach Aileron to wing)						12

ORDER BY PART NUMBER AND NAME

SERIAL NUMBER AND COLOR IF APPLICABLE

ILLUSTRATED PARTS CATALOG

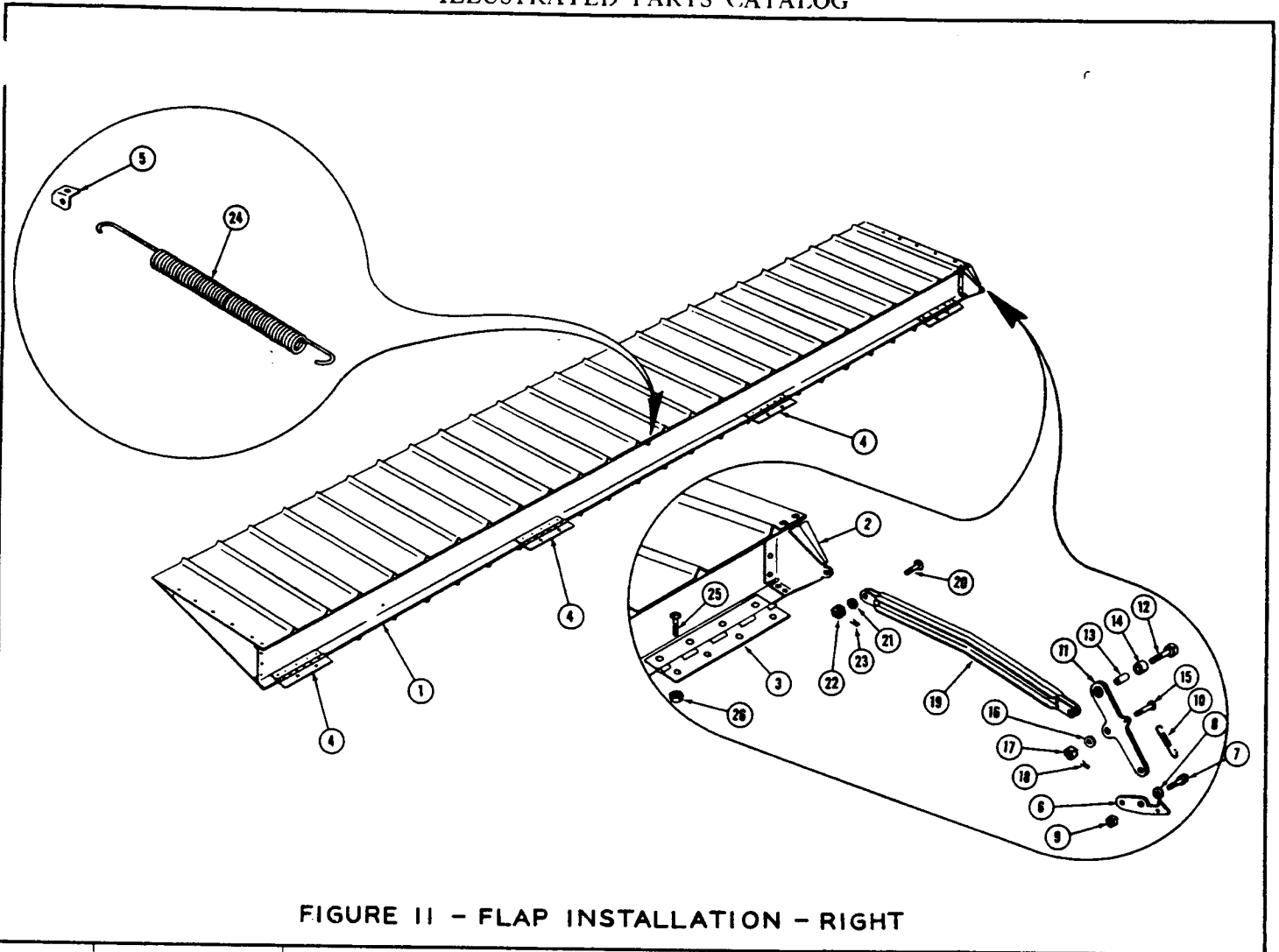


FIGURE 11 - FLAP INSTALLATION - RIGHT

FIGURE AND REF. NO	PART NUMBER	PART NAME						UNITS REQ'D ON MODEL
		1	2	3	4	5	6	
11-1	0523900-1	Flap Assembly - Right						1
11-2	0523910	Horn						1
11-3	0525107	Hinge						1
11-4	0425113	Hinge						1
11-5	0520120-2	Bracket						3
11-6	0523228	Pawl						1
11-7	AN3-4A	Bolt						1
11-8	0523229	Bushing						1
11-9	AN365-1032	Nut						1
11-10	0523227	Spring						1
11-11	0523224	Bellcrank						1
11-12	AN3-7A	Bolt						1
11-13	0520111	Bushing						1
11-14	0520114	Spacer						1
11-15	AN23-9	Bolt						1
11-16	AN960-10L	Washer						1
11-17	AN310-3	Nut						1
11-18	AN380-2-4	Pin - Cotter						1
11-19	0523225	Link Assembly						1
11-20	AN23-8	Bolt						1
11-21	AN960-10L	Washer						1
11-22	AN310-3	Nut						1
11-23	AN380-2-4	Pin - Cotter						1
11-24	0523207	Spring						1
11-25	NAS229-8	Screw - (Attach Flap to Wing)						10
11-26	AN365-1032	Nut - (Attach Flap to Wing)						10

ORDER BY PART NUMBER AND NAME

SERIAL NUMBER AND COLOR IF APPLICABLE

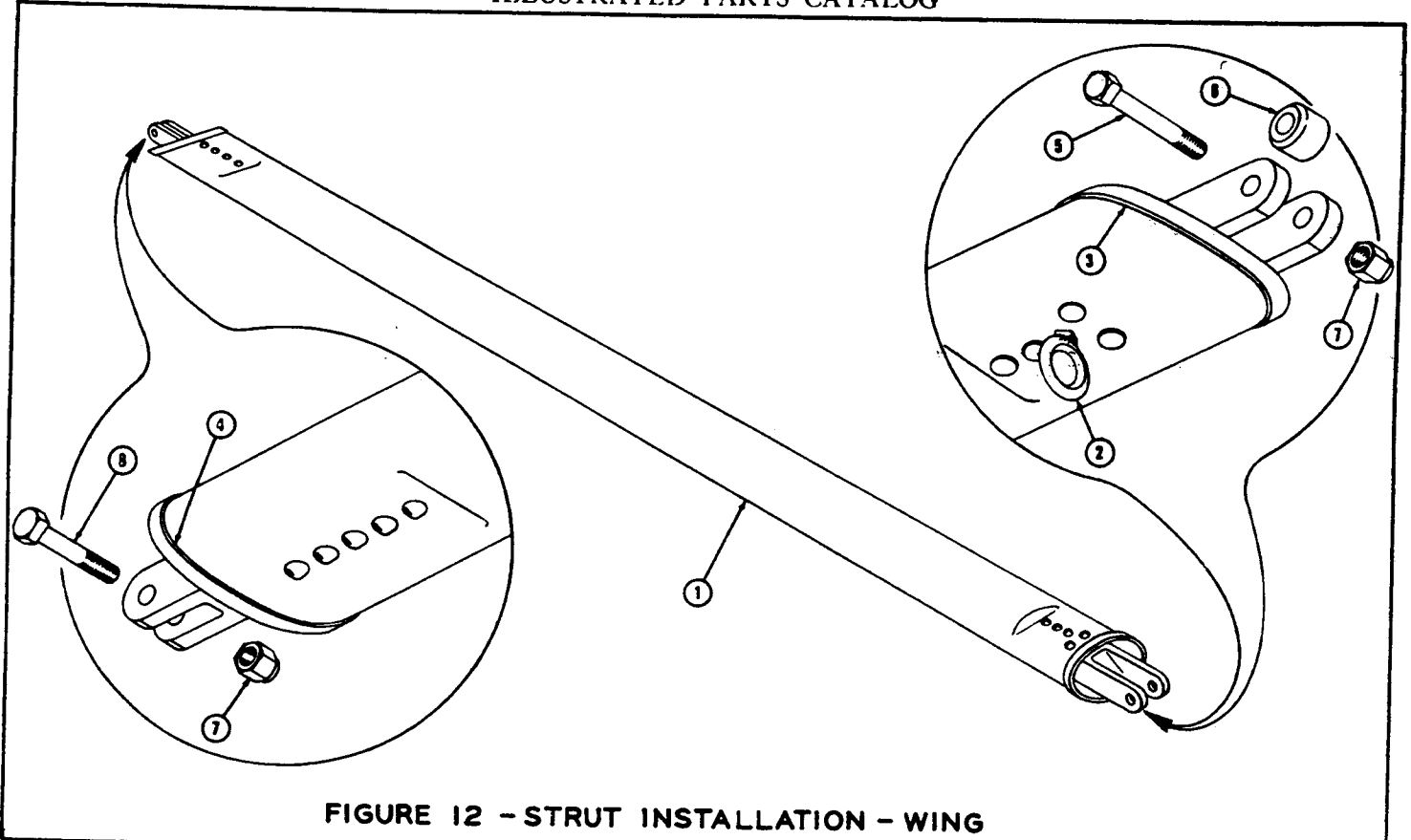


FIGURE 12 - STRUT INSTALLATION - WING

FIGURE AND REF. NO.	PART NUMBER	PART NAME						UNITS REQ'D ON MODEL
		1	2	3	4	5	6	
12-1	0523606	Strut Assembly - Wing - Left						1
12-2	0523606-1	Strut Assembly - Wing - Right						1
	0523609	Ring - Mooring						1
	AN960-516	Washer						1
	AN365-524	Nut						1
12-3	0523606-5	Seal						1
12-4	0523606-4	Seal						1
12-5	AN8-24A	Bolt - (Attach Strut to Wing)						1
12-6	0523307	Spacer						1
12-7	AN365-820	Nut						1
12-8	AN8-17A	Bolt - (Attach Strut to Fuselage)						2
							1	

FIGURE 13

EMPENNAGE - FIN AND DORSAL

13-1	0531113	Fin and Dorsal Assembly						1
13-2	0331000-51	Fin Assembly						1
13-3	0531000-1	Fin Assembly (less Rear Spar)						1
13-4	0331106	Rib - Fin - Upper (#5)						1
13-5	0331107	Rib - Fin (#4)						1
13-6	0331108	Rib - Fin (#3)						1
13-7	0331109	Rib - Fin (#2)						1
13-8	0331110	Rib - Fin - Lower (#1)						1
13-9	0331125	Spar - Fin Front						1
13-10	0331121	Reinforcement						1
13-11	0331127	Leading Edge - Fin Upper						1
13-12	0331000-4	Skin - Fin Upper - Side						1
13-13	0331000-5	Skin - Fin Lower - Side						2
13-14	0331114	Spar - Fin Rear						2
13-15	0331115	Reinforcement - Fin Rear Spar						1
13-16	0331118	Bracket - Fin Lower Hinge - Lower						1
13-17	0331119	Bracket - Fin Lower Hinge - Upper						1
13-18	0331120	Bracket - Fin Upper Hinge						1
13-19	0331124	Bracket - Fin Rear						2
							2	

ORDER BY PART NUMBER AND NAME

SERIAL NUMBER AND COLOR IF APPLICABLE

ILLUSTRATED PARTS CATALOG

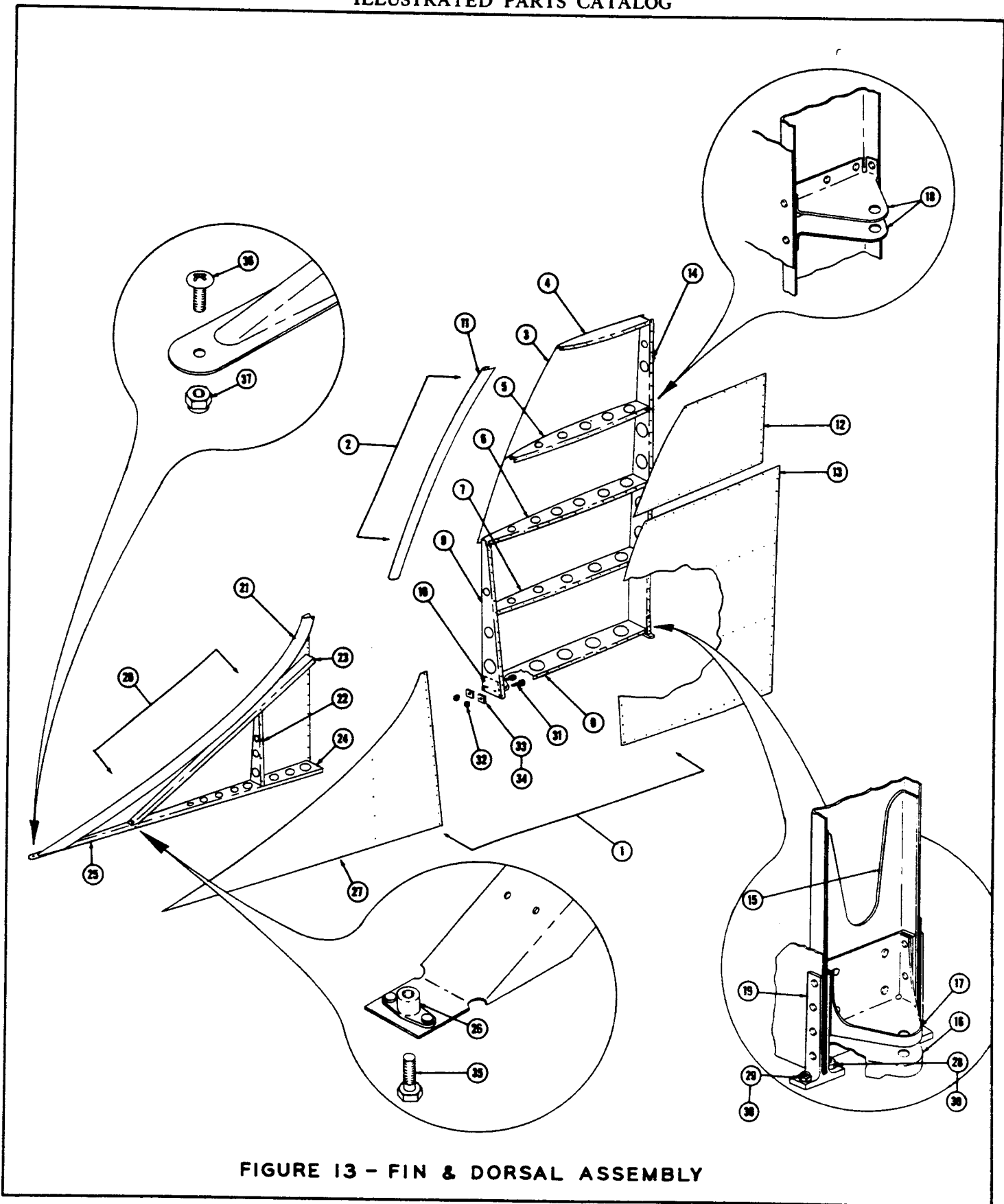


FIGURE 13 - FIN & DORSAL ASSEMBLY

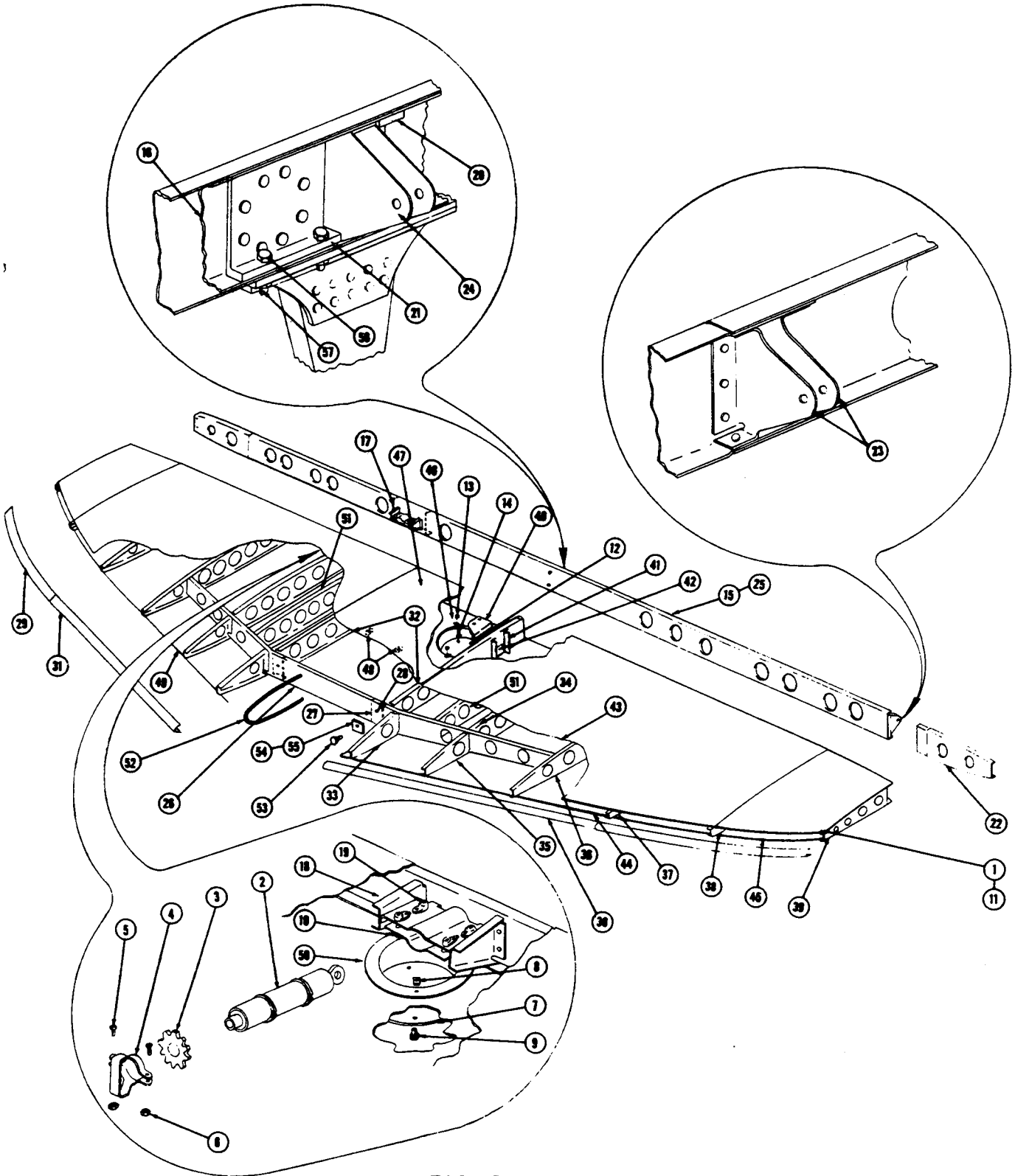


FIGURE 14 - STABILIZER ASSEMBLY

ILLUSTRATED PARTS CATALOG

FIGURE 13

EMPENNAGE - FIN AND DORSAL (CONTINUED)

FIGURE AND REF. NO.	PART NUMBER	PART NAME						UNITS REQ'D ON MODEL	
		1	2	3	4	5	6		
13-20	0531112							Dorsal Fin Assembly	1
13-21	0331129							Leading Edge Assembly	1
13-22	0531109							Rib - Former	1
13-23	0531110							Channel	1
13-24	0531108							Rib	1
13-25	0531111							Rib - Forward	1
13-26	AN366F1032							Nutplate	1
13-27	0531112-3							Skin - Dorsal Fin	2
13-28	NAS145-14							Bolt (Rear Fin Inner Attaching)	2
13-29	NAS145-18							Bolt (Rear Fin Outer Attaching)	2
13-30	AN365-524							Nut	2
13-31	AN4-5A							Bolt	4
13-32	AN365-428							Nut	2
13-33	0430010							Shim - Empennage Installation (.020)	2
13-34	0430010-2							Shim - Empennage Installation (.032)	AR
13-35	AN3-4A							Bolt	AR
13-36	AN526-1032R8							Screw	1
13-37	AN365-1032							Nut	1

FIGURE 14

EMPENNAGE - STABILIZER

14-1	0332000-10							Stabilizer Assembly - Horizontal	1
14-2	0310293-2							Actuator Assembly - Elevator Tab	1
14-3	0310332							Sprocket	1
14-4	0310331							Guard - Elevator Tab Control Chain	1
14-5	AN526-832R8							Screw - (Attach Guard)	1
14-6	AN365-832							Nut	2
14-7	0432123							Plate - Tab Actuator Cover	2
14-8	NAS395-14-3							Nut - (Tinnerman A1274-8Z-3)	1
14-9	PK76XZ-8-8							Screw	4
14-10	0432126							Clamp - Tab Actuator Attachment	4
	AN520-10R6							Screw - (Attach Clamp)	2
14-11	0332000-20							Stabilizer Assembly - Horizontal (less Tab Actuator and Attaching Parts)	4
14-12	0311516							Plate - Inspection Opening	1
14-13	NAS444-5							Nut - (Tinnerman A6195-8Z-3)	1
14-14	PK76XZ-8-8							Screw - (Attach Inspection Plate)	3
14-15	0332106							Spar Assembly - Horizontal Stabilizer - Rear	3
14-16	0332109							Channel - Stabilizer Rear Spar Stiffener	1
14-17	0332131							Plate - Tab Actuator Bracket - Spar Bearing	1
14-18	0332134							Bracket Assembly - Tab Actuator Attachment	1
14-19	22A3-02							Anchor Nut - Esna	1
14-20	0332110							Plate - Rear Spar Fin Attachment	4
14-21	0332111							Plate - Stabilizer Rear Spar Attachment	2
14-22	0332107							Tip - Stabilizer Rear Spar Outboard	2
14-23	0332113							Bracket - Stabilizer Outboard Hinge	2
14-24	0332112							Bracket - Stabilizer Center Hinge	4
	AN3-4A							Bolt (Attach Center Bracket to Spar)	1
	AN365-1032							Nut	2
14-25	0332108							Spar - Horizontal Stabilizer - Rear	2
14-26	0332114							Spar Assembly - Horizontal Stabilizer - Front	1
14-27	0332117							Channel - Stabilizer Front Spar Attaching	1
14-28	AN366-F428							Nut - Plate	2
14-29	0332127							Leading Edge - Stabilizer Outboard	2
14-30	0332000-14							Leading Edge - Stabilizer Inboard - Left	2
14-31	0332000-13							Leading Edge - Stabilizer Inboard - Right	1
14-32	0332118							Rib - Stabilizer Center #1	1
14-33	0332119							Rib - Stabilizer Nose #1	2
14-34	0332120							Rib - Stabilizer Center #2	2
14-35	0332121							Rib - Stabilizer Nose #2	2
14-36	0332122							Rib - Stabilizer #3	2
14-37	0332123							Rib - Stabilizer #4	2
14-38	0332124							Rib - Stabilizer #5	2
14-39	0332125							Rib - Stabilizer #6 - Tip	2
14-40	0332116							Bracket - Elevator Tab Pulley	2
14-41	0332129							Angle - #1 Center Rib - Left	1
14-42	0332129-1							Angle - #1 Center Rib - Right	1
	AN3-4A							Bolt	1
	AN365-1032							Nut	1
14-43	0332000-12							Skin - Stabilizer Top	1
14-44	0332000-9							Skin - Stabilizer Bottom - Left	2
14-45	0332000-3							Skin - Stabilizer Tip (Top and Bottom)	1
14-46	0332000-4							Skin - Stabilizer Bottom - Center	4
14-47	0332000-5							Skin - Stabilizer Top - Center	1
14-48	NAS444-5							Nut - (Tinnerman A6195-8Z-3)	1

ORDER BY PART NUMBER AND NAME

SERIAL NUMBER AND COLOR IF APPLICABLE

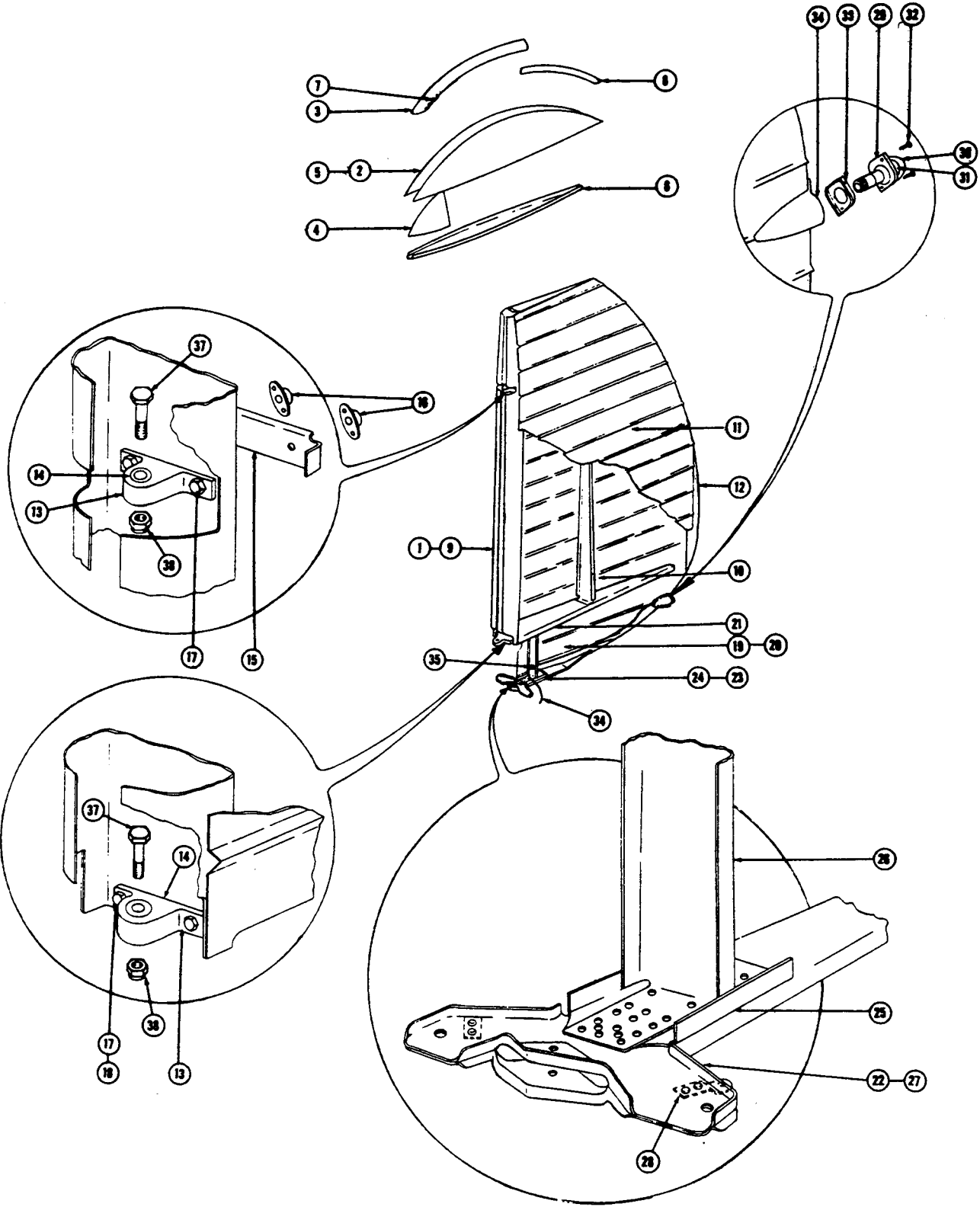


FIGURE 15 - RUDDER ASSEMBLY

ILLUSTRATED PARTS CATALOG

FIGURE 14

EMPENNAGE - STABILIZER (CONTINUED)

FIGURE AND REF. NO.	PART NUMBER	PART NAME						UNITS REQ'D ON MODEL
		1	2	3	4	5	6	
14-49	0332000-11	Skin - Horizontal Bottom - Right						1
	0332000-7	Strip - Neoprene Coated Fabric (Cement to Bottom Surface)						2
14-50	0432155	Retainer - Tab/Actuator Cover						1
14-51	0332105	Rib (Serial 19092 and on)						2
14-52	0411875-4	Moulding (X200 Rubber Channel)						2
14-53	AN4-5A	Bolt (Attach Stabilizer Front Spar to Bulkhead)						2
14-54	0430010-1	Shim - Empennage Installation (.020)						2
14-55	0430010-2	Shim - Empennage Installation (.032)						AR
14-56	AN4-10A	Bolt (Attach Rear Spar to Fuselage)						AR
14-57	AN365-428	Nut						4

FIGURE 15

EMPENNAGE - RUDDER

15-1	0533000	Rudder Assembly						1
15-2	0533000-10	Tip Assembly - Rudder						1
15-3	0333127	Leading Edge - Rudder Tip						1
15-4	0333117-1	Weight - Rudder Balance						1
15-5	0333000-3	Skin - Rudder Tip						1
15-6	0333113	Rib - Rudder Tip						2
15-7	NA3455-163-4-8	Rivet - (Install Tip Leading Edge) (Cherry CR163-4-8)						1
15-8	0333114	Stiffener - Rudder Tip						9
15-9	0333132	Spar - Rudder - Front						1
15-10	0333115	Auxiliary Spar - Rudder - Rear						1
15-11	0333000-12	Skin Assembly - Rudder - Main						1
15-12	0333116	Tab - Rudder						1
15-13	0333119	Hinge - Rudder						1
15-14	SK-5	Bearing - Fafnir						2
15-15	0333128	Channel - Rudder Upper Hinge Bearing						2
15-16	AN366-F1032	Nut - Flate (Attach Upper Hinge Bolts)						1
15-17	AN3-5A	Bolt - (Attach Hinges)						2
15-18	AN365-1032	Nut - (Lower Hinge Bolts)						4
15-19	0533000-4	Skin - Rudder Lower - Left						2
15-20	0533000-5	Skin - Rudder Lower - Right						1
15-21	0533131	Rib - Rudder Lower						1
15-22	0533000-11	Bellcrank Assembly - Rudder						1
15-23	0533000-12	Rib Assembly - #1 Rudder						1
15-24	0533000-6	Rib - #1 Rudder						1
15-25	0533000-8	Reinforcement - #1 Rudder Rib						1
15-26	0533000-7	Support - Bellcrank Assembly - Rudder						1
15-27	0433113	Bellcrank - Rudder						1
15-28	0433132	Tab						1
15-29	0433006	Light Assembly - Tail						2
15-30	0433006-2	Lens - Tail Light - Clear						1
15-31	0433006-3	Bulb - Single Contact Base						1
15-32	AN515-4R8	Screw						1
15-33	0433007	Mount - Tail Light						2
15-34	0433121	Support - Tail Light Mount						1
15-35	0500005-41	Wire Assembly - Tail Light						2
15-36	AN931-3-5	Grommet						1
15-37	AN4-11A	Bolt - (Attach Rudder To Fin)						1
15-38	AN365-428	Nut - (Attach Rudder To Fin)						2

ORDER BY PART NUMBER AND NAME

SERIAL NUMBER AND COLOR IF APPLICABLE

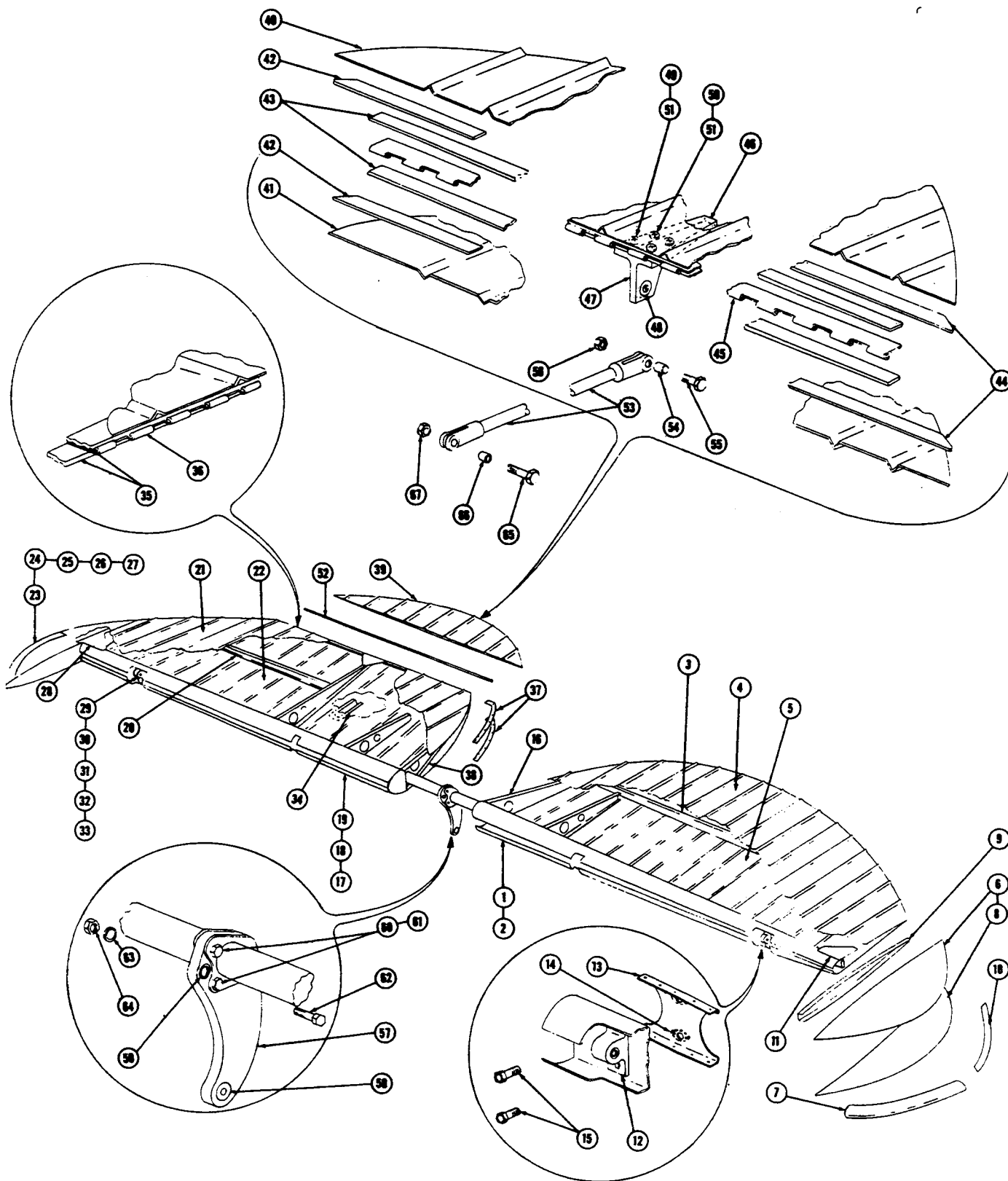


FIGURE 16 - ELEVATOR ASSEMBLY

ILLUSTRATED PARTS CATALOG

FIGURE 16

EMPENNAGE - ELEVATOR

FIGURE AND REF. NO.	PART NUMBER	PART NAME						UNITS REQ'D ON MODEL
		1	2	3	4	5	6	
16-1	0334200-2	Elevator Assembly - Left						1
16-2	0334120	Spar - Elevator Front						1
16-3	0334212	Auxiliary Spar - Elevator						1
16-4	0334200-4	Skin - Elevator Top - Left						1
16-5	0334200-3	Skin - Elevator Bottom - Left						1
16-6	0334200-12	Tip Assembly - Elevator - Left						1
16-7	0334215	Leading Edge - Elevator Tip						1
16-8	0334200-5	Skin - Elevator Tip						1
16-9	0334213	Rib - Elevator Tip						2
16-10	0334214	Stiffener - Elevator Tip						1
16-11	0334220	Doublers - Elevator Tip						1
16-12	0334111	Hinge Assembly - Elevator Outboard						2
	NAS296-4A	Bearing - Torrington						1
16-13	0334221	Channel - Elevator Hinge Spar Bearing						1
16-14	AN366F-1032	Nutplate - (Attach Hinge Bolts)						1
16-15	AN3-4A	Bolt (Attach Outboard Elevator Hinges)						2
16-16	0334206	Rib and Torque Tube Assembly - Elevator - Left						2
16-17	0334100-2	Elevator Assembly - Right						1
16-18	0334100-13	Primary Assembly - Elevator - Right						1
16-19	0334120	Spar - Elevator - Front						1
16-20	0334121	Auxiliary Spar - Elevator Rear - Right						1
16-21	0334100-5	Skin - Elevator Top - Right						1
16-22	0334100-6	Skin - Elevator Bottom - Right						1
16-23	0334200-12	Tip Assembly - Elevator - Right						1
16-24	0334215	Leading Edge - Elevator Tip						1
16-25	0334200-5	Skin - Elevator Tip						1
16-26	0334213	Rib - Elevator Tip						2
16-27	0334214	Stiffener - Elevator Tip						1
16-28	0334220	Doublers - Elevator Tip						1
16-29	0334111	Hinge Assembly - Elevator Outboard						2
	NAS296-4A	Bearing - Torrington						1
16-31	0334221	Channel - Elevator Hinge Spar Bearing						1
16-32	AN366F-1032	Nutplate (Attach Hinge Bolts)						1
16-33	AN3-4A	Bolt (Attach Outboard Elevator Hinge)						2
16-34	0334126	Cover - Elevator Tab Push-pull Tube						2
16-35	0334114	Spacer - Elevator Tab Hinge						1
16-36	0334100-10	Hinge - Elevator Tab (Half)						2
16-37	0334100-21	Stiffener (Serial 19008 and on)						1
16-38	0334106	Rib and Torque Tube Assembly - Elevator - Right						2
16-39	0334100-7	Tab Assembly - Elevator - Right						1
16-40	0334100-3	Skin - Elevator Tab - Upper						1
16-41	0334100-4	Skin - Elevator Tab - Lower						1
16-42	0334117	Stiffener - Elevator Tab - Outboard						2
16-43	0334116	Spacer - Elevator Tab Hinge						2
16-44	0334118	Stiffener - Elevator Tab - Inboard						2
16-45	0334100-9	Hinge - Elevator Tab (Half)						2
16-46	0334119	Spacer - Elevator Tab Control Horn						1
16-47	0334125	Horn Assembly - Elevator Tab Control (Serial 18729 to 19049)						1
	0334125-2	Horn Assembly - Elevator Tab Control (Serial 19049 and on)						1
16-48	0334123	Bushings - Tab Control (Serial 18729 to 19049)						1
	FN-3-A	Bearing - Torrington (Serial 19049 and on)						1
16-49	AN526-832R16	Screw (Attach Elevator Control Horn - Front)						2
16-50	AN526-832R14	Screw (Attach Elevator Control Horn - Rear)						2
16-51	AN365-832	Nut						4
16-52	AN253-2-2825	Pin - Elevator Tab Hinge						1
16-53	0334109-2	Tube Assembly - Elevator Tab Push-pull						1
16-54	0334124	Bushings - Elevator Tab Push-pull Tube (Serial 18729 to 19049)						1
16-55	AN4-7A	Bolt (Attach Push-pull Tube to Tab Control Horn) (Serial 18729 to 19049)						1
	AN3-7A	Bolt (Attach Push-pull Tube to Tab Control Horn) (Serial 19049 and on)						1
16-56	AN365-428	Nut (Serial 18729 to 19049)						1
	AN365-1032	Nut (Serial 19049 and on)						1
16-57	0310262	Pylon - Elevator Actuating						1
16-58	AN200KS4	Bearing - Fafnir						1
16-59	NAS296-4A	Bearing - Torrington						1
16-60	AN4-10A	Bolt (Connect Elevator Torque Tubes and Actuator Pylon)						4
16-61	AN960-416	Washer						4
16-62	AN4-11A	Bolt (Attach Pylon to Stabilizer Center Hinge)						1
16-63	AN960-416L	Washer						1
16-64	AN365-428	Nut						1
16-65	AN4-7A	Bolt (Connect Tab Push-pull Tube to Tab Actuator)						5
16-66	0334124	Bushings - Elevator Tab Push-pull Tube)						1
16-67	AN365-428	Nut						1

ORDER BY PART NUMBER AND NAME

SERIAL NUMBER AND COLOR IF APPLICABLE

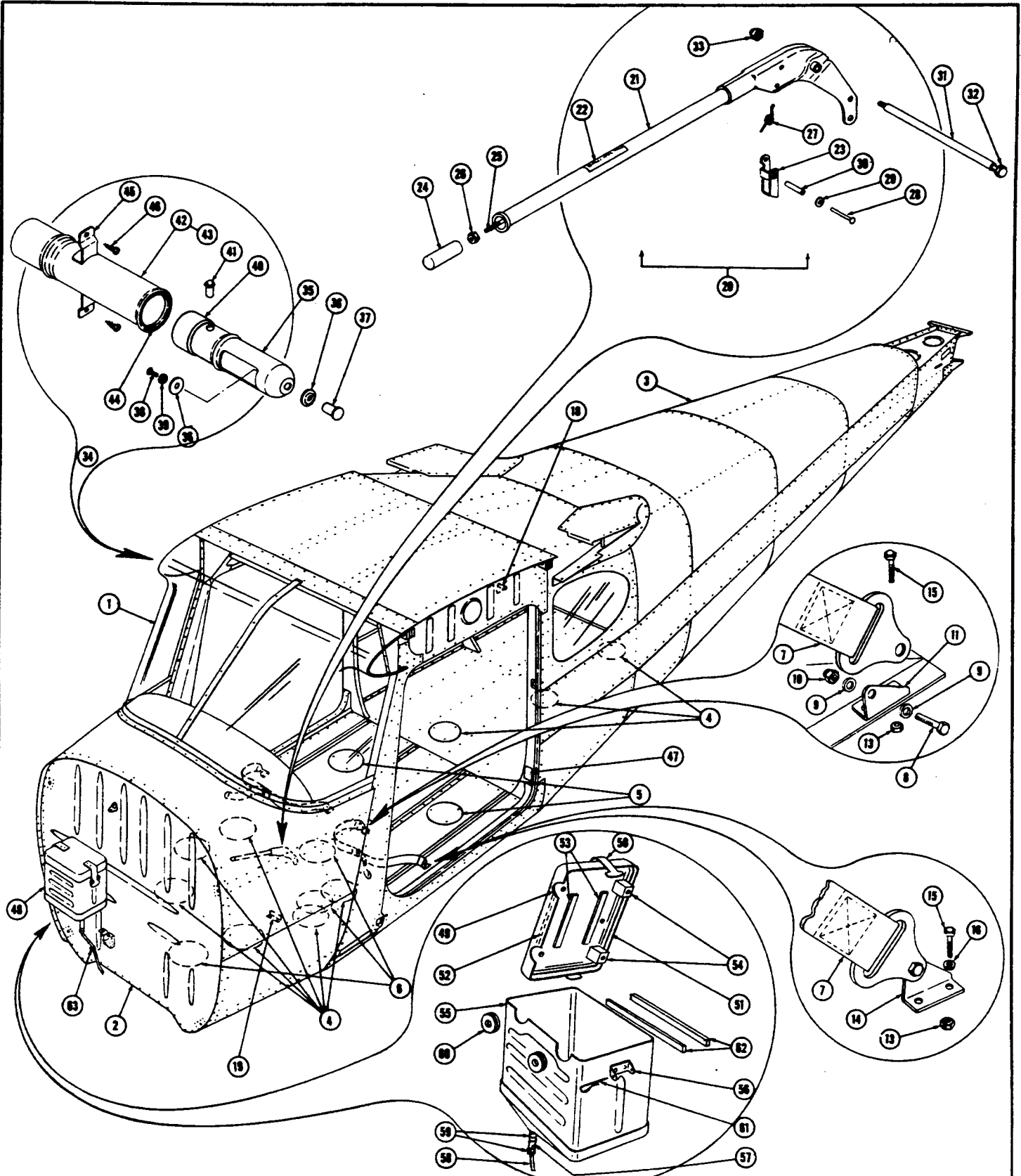


FIGURE 17 - FUSELAGE ASSEMBLY

ILLUSTRATED PARTS CATALOG

FIGURE 17

FUSELAGE ASSEMBLY

FIGURE AND REF. NO.	PART NUMBER	PART NAME							UNITS REQ'D ON MODEL
			1	2	3	4	5	6	
17-1	0510000-52	Fuselage Assembly - Bare (With Windshield, Rear Windows, And Electrical Wiring)							1
17-1	See Figure 21	Windshield Installation							1
17-2	See Figure 18	Front And Center Section - Fuselage							1
17-3	See Figure 22	Aft Section Assembly - Fuselage							1
17-4	0311516	Plate - Inspection Opening Cover							1
	49330	Studs - Tri-mount (United Carr)							9
17-5	0311516-3	Plate - Inspection Opening Cover - Carpet							27
	49330	Studs - Tri-mount (United Carr)							2
17-6	0311516	Plate - Inspection Opening Cover							6
	PK76XZ-8-8	Screw							3
17-7	0311710-4	Belt Assembly - Safety - (Brown Or Green)							9
17-8	AN4-6A	Bolt							2
17-9	NAS43C-4-20	Spacer							4
17-10	AN365-428	Nut							4
17-11	0511301-18	Bracket - Safety Belt Attachment - Inboard Front							4
17-12	AN3-4A	Bolt							2
17-13	AN365-1032	Nut							4
17-14	0511301-19	Bracket - Safety Belt Attachment - Outboard Front							4
17-15	AN3-5A	Bolt							2
17-16	AN960-10	Washer							4
17-17	AN365-1032	Nut							4
17-18	0411038	Phone Jack (Mallory)							4
	0411782	Etched Plate - Phone Jack							1
17-19	0511142-2	Stop - Control Lock							1
17-20	0410215-2	Lever Assembly - Flap							1
17-21	0410216	Lever - Flap							1
17-22	0425141	Decal - Flap							1
	0425122	Latch Assembly - Flap Lever							1
17-23	0425121	Latch - Flap Lever							1
17-24	0425124	Button - Flap Lever Release							1
17-25	0425120	Rod - Latch							1
17-26	AN340-5	Nut							1
17-27	0425130	Spring - Flap Lever							1
17-28	AN456AD4	Rivet							1
17-29	AN960-4	Washer							1
17-30	0425140	Bushing							1
17-31	0510117	Bushing							1
17-32	AN3-62A	Bolt							1
17-33	AN364-1032	Nut							1
17-34	0413163	Outlet Assembly - Cabin Air Vent - Left							1
	0413163-1	Outlet Assembly - Cabin Air Vent - Right							1
17-35	0413155-3	Outlet - Cabin Air Vent							1
17-36	0413228	Washer							1
17-37	0411092	Knob							1
17-38	AN526-832R5	Screw							1
17-39	AN936-A8	Washer							1
17-40	0413163-5	Seal - Felt							1
17-41	0413203	Catch - Bullet (National Lock Co.)							1
17-42	0413163-8	Tube Assembly - Cabin Vent - Left							1
	0413163-9	Tube Assembly - Cabin Vent - Right							1
17-43	0413156	Tube - Cabin Vent							1
17-44	0413163-7	Washer - Felt Seal							1
17-45	0413159	Clip							1
17-46	PK76XZ-8-6	Screw							2
17-47	0413261	Name Plate - M.J.A.							4
17-48	0513011	Box Assembly - Battery							1
17-49	0413307-21	Lid Assembly - Battery Box							1
17-50	0413307-17	Fastener - Lid - Battery Box							1
17-51	0413307-4	Seal - Battery Box - Rear							2
17-52	0413307-8	Seal - Battery Box - Forward							1
17-53	0413307-5	Spacer - Battery Box							1
	0413307-6	Insulator - Battery Box							2
17-54	0413307-7	Insulator - Battery Box							2
	AN545-8R6	Screw - (Attach Insulators To Lid)							2
17-55	0513011-3	Box Assembly - Battery (Less Lid)							4
17-56	0413307-13	Catch - Battery Box							1
17-57	AN884-6-9	Tube - Battery Box Drain (Rubber)							2
17-58	0513011-2	Tube - Battery Box Drain - Lower							1
17-59	NAS397-12	Clamp - (Tinnerman A3122-12-59)							1
17-60	AN931-11-16	Grommet							2
17-61	0413307-19	Pin - Lock							2
17-62	0513011-4	Spacer - Battery Box							2
17-63	A2980A-6	Clamp - Tinnerman							2
	NAS446-4	Nut - (Tinnerman A1778-8Z-3)							1
	PK76XZ-8-6	Screw							1

ORDER BY PART NUMBER AND NAME

SERIAL NUMBER AND COLOR IF APPLICABLE

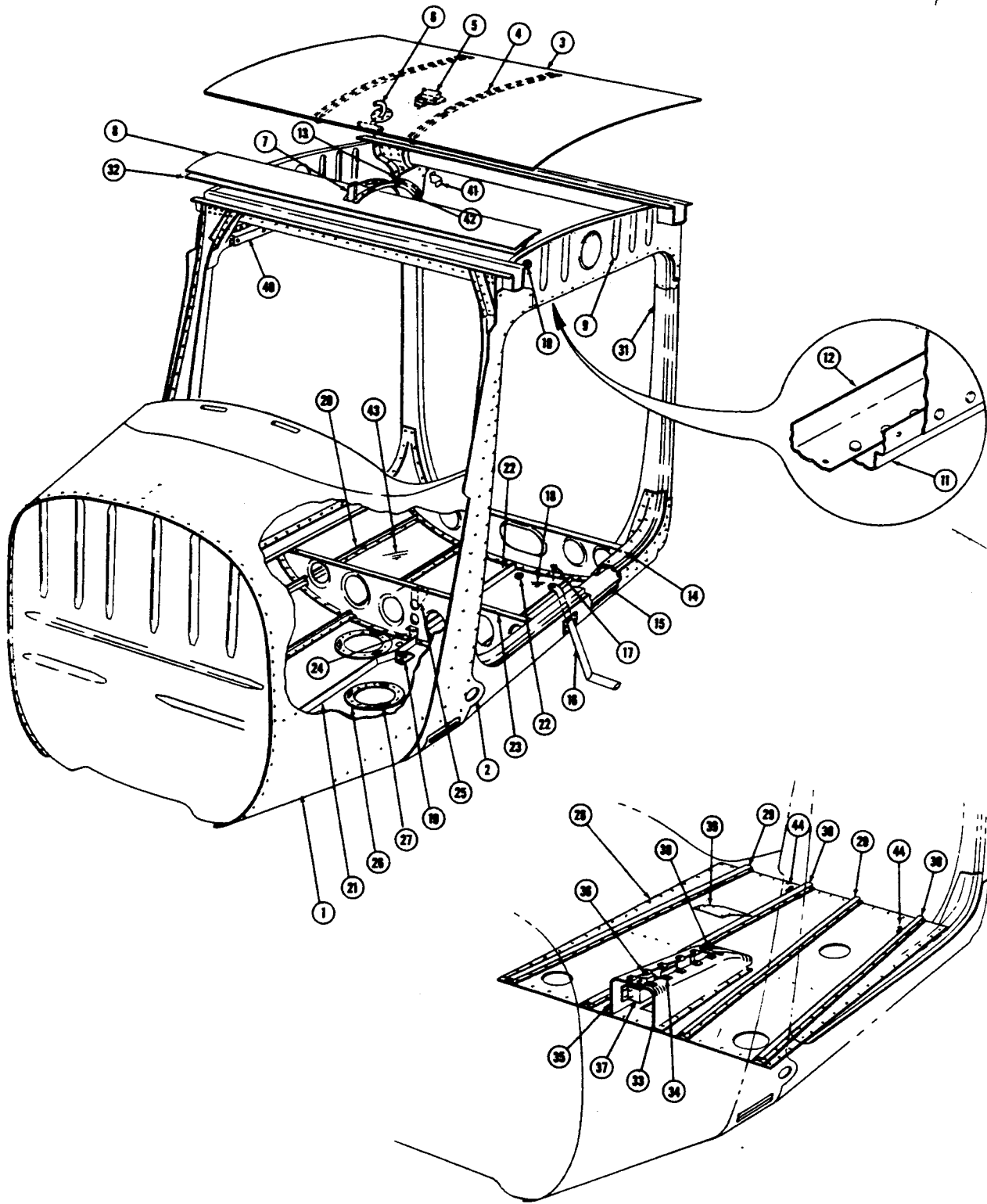


FIGURE 18 - FRONT AND CENTER SECTION - FUSELAGE

ILLUSTRATED PARTS CATALOG

FIGURE 18

FRONT AND CENTER SECTION ASSEMBLY - FUSELAGE

FIGURE AND REF. NO.	PART NUMBER	PART NAME						UNITS REQ'D ON MODEL
		1	2	3	4	5	6	
18-1	0511000-53	Front and Center Section Assembly - Fuselage (Sta. 00.00 To 65.33)						1
	See Figure 19	Front Section Assembly - Fuselage (Sta. 00.00 To 27.812)						1
18-2	See Figure 20	Bulkhead Assembly and Landing Gear Support						1
18-3	0511114-4	Top Assembly - Cabin						1
	0511114-3	Skin - Cabin Top						1
18-4	0411718-1	Stiffener Assembly - Cabin Top						1
	0411680	Hanger - Interior						2
18-5	0413142	Light Assembly - Dome						1
	0413139	Bezel - Dome Light						1
	0413141	Lens - Dome Light						1
	0413142-2	Switch - Dome Light						1
	0413140	Reflector - Dome Light						1
	0413188	Socket - Dome Light						1
	0413142-3	Bulb - Dome Light						1
	AN931-3-5	Grommet						1
	NAS395-1-3	Nut - (Tinnerman A6187-42-3)						1
	PK76XZ-4-5	Screw - (Attach Switch To Reflector)						4
	PK76XZ-4-6	Screw - (Attach Bezel To Reflector)						2
	NAS42-4-48	Spacer - Dome Light (Attach Light To Top)						2
	AN456AD4-6	Rivet - Dome Light (Attach Light To Top)						2
18-6	0511118	Vent Assembly - Fuel Tank						2
18-7	0411670	Bracket - Antenna Mast						1
18-8	0511000-24	Cap - Fuselage Front Spar						1
18-9	0511000-26	Rib - Fuselage Center Section - Left						1
	0511000-27	Rib - Fuselage Center Section - Right						1
18-10	AN931-3-5	Grommet - Fuel Vent						1
18-11	0511000-6	Frame - Door Upper Outboard - Left						2
	0511000-7	Frame - Door Upper Outboard - Right						1
18-12	0511000-22	Frame - Door Upper Inboard - Left						1
	0511000-23	Frame - Door Upper Inboard - Right						1
18-13	0511000-9	Gusset - Upper Rear Door Jamb - Right						1
	0511000-8	Gusset - Upper Rear Door Jamb - Left						1
18-14	0511116	Sill Assembly - Door Lower - Left						1
	0511116-1	Sill Assembly - Door Lower - Right						1
18-15	0511000-36	Support - Door Sill - Lower - Left						1
	0511000-37	Support - Door Sill - Lower - Right						1
18-16	0511111	Step Assembly - Cabin - Left						1
	0511111-1	Step Assembly - Cabin - Right						1
18-17	AN525-416-9A	Bolt - Step Attaching						1
	AN365-428	Nut - Step Attaching						2
18-18	0511000-32	Skin - Fuselage Center Section - Left (Sta. 27.812 To 65.33)						2
18-19	0311752-16	Bracket - Pulley						1
18-20	0511000-11	Stiffener - Fuselage Center Section						1
18-21	0511000-35	Stiffener - Fuselage Center Section						4
18-22	0511000-38	Stiffener - Fuselage Center Section						1
18-23	0511109-3	Bulkhead Assembly - Fuselage Center Section (Sta. 44)						1
18-24	0511192	Bracket - Fuel Selector Valve Mounting						1
18-25	0411447	Bracket - Pulley						1
	AN520-10R7	Screw - Bracket Attaching						1
	AN365-1032	Nut						1
18-26	0511000-20	Doubler - Inspection Opening						1
18-27	NAS395-14-3	Nut - (Tinnerman A1274-8Z-3)						2
18-28	0511000-52	Floorboard Assembly - Fuselage Center Section						6
	0511000-19	Sheet - Floorboard						1
18-29	0511000-14	Runner - Front Seat - Left Inboard and Right Outboard						1
18-30	0511000-15	Runner - Front Seat - Left Outboard and Right Inboard						2
18-31	See Figure 22	Bulkhead Assembly - Fuselage (Sta. 65.33)						2
18-32	See Figure 21	Retainer - Windshield						1
18-33	0510114-22	Bulkhead Assembly - Fuselage - Tunnel - Aft Left						1
18-34	NAS395-12-3	Nut - (Tinnerman A1786-8Z-3)						1
18-35	0510114-26	Bulkhead Assembly - Fuselage - Tunnel - Aft Right						5
18-36	NAS395-12-3	Nut - (Tinnerman A1786-8Z-3)						1
18-37	0510131	Bracket Assembly - Flap Lever						5
18-38	0511102-10	Baffle Assembly - Fuselage Tunnel - Rear (Serials 18729 To 18985)						1
	0511179	Bulkhead - Lower Tunnel - Aft (Serials 18985 and on)						1
18-39	0510129	Cover Plate - Lower Tunnel - Rear (Serials 18729 To 18985)						1
	0510129-3	Cover Plate - Lower Tunnel - Rear (Serials 18985 and on)						1
18-40	0511153	Retainer Assembly - Headliner						1
18-41	0511150-1	Bracket - Upholstery Attach - Right						2
	0511150	Bracket - Upholstery Attach - Left						1
18-42	0511151-1	Retainer - Headliner - Right						1
	0511151	Retainer - Headliner - Left						1
18-43	0511000-31	Skin - Fuselage Center Section - Right (Sta. 27.812 To 65.33)						1
18-44	AN380-4-3	Pin - Cotter						1
	0511301-67	Bushing - Seat Stop						2
								4

ORDER BY PART NUMBER AND NAME

SERIAL NUMBER AND COLOR IF APPLICABLE

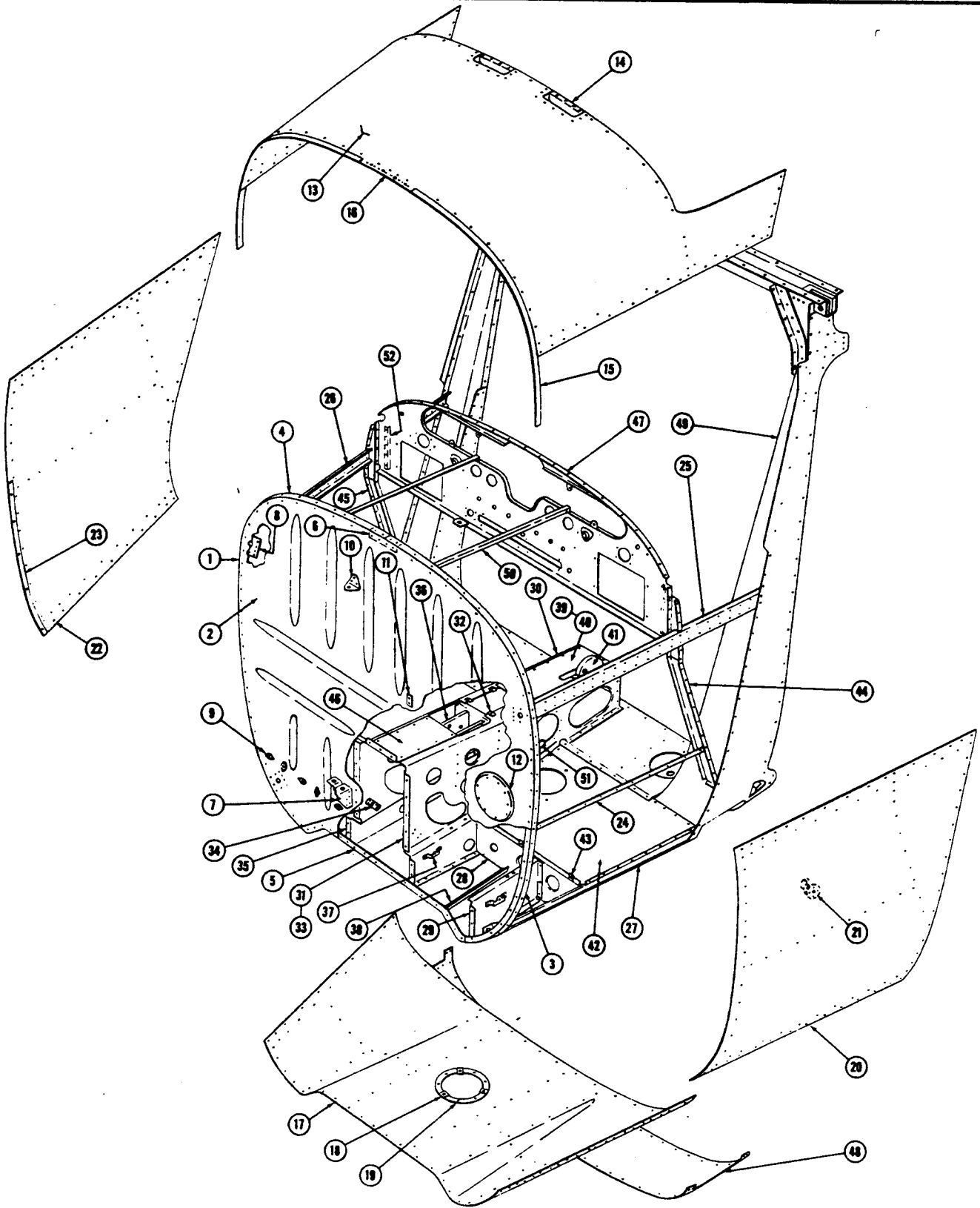


FIGURE 19 - FRONT SECTION ASSEMBLY - FUSELAGE

ILLUSTRATED PARTS CATALOG

FIGURE 19

FRONT SECTION ASSEMBLY - FUSELAGE

FIGURE AND REF. NO.	PART NUMBER	PART NAME						UNITS REQ'D ON MODEL
		1	2	3	4	5	6	
	0513000-54	Front Section Assembly - Fuselage - Bare						
19-1	0513228-21	Firewall Assembly						1
19-2	0513101-3	Sheet - Firewall						1
19-3	0513102	Angle - Left						1
19-4	0513102-1	Angle - Right						1
19-5	0513103	Angle - Bottom						1
19-6	0513106	Angle - Top						1
19-7	0450111	Bracket						1
19-8	0453110	Plate						1
19-9	NAS444-5	Nut - (Tinnerman A6195-8Z-3)						4
19-10	0450284	Bracket						10
19-11	0513100	Doublers						1
19-12	0453112	Cover						2
	PK76XZ-6-8	Screw						1
	NAS446-3	Nut - (Tinnerman A1777-6Z-3)						16
19-13	0513000-19	Skin - Fuselage Front Section - Top						16
19-14	0413106	Handle - Assist						1
19-15	0513000-3	Rub Strip - Fuselage Skin						2
19-16	NAS444-5	Nut - (Tinnerman A6195-8Z-3)						2
19-17	0513000-13	Skin - Fuselage Front Section - Bottom						4
19-18	NAS395-14-3	Nut - (Tinnerman A1274-8Z-3)						1
19-19	0511000-20	Doublers						3
19-20	0513000-14	Skin - Fuselage Front Section - Left						1
19-21	0413137	Flange - Pitot Static Line						1
	AN823-4D	Elbow						1
19-22	0513000-15	Skin - Fuselage Front Section - Right						1
19-23	A6221-8Z-8-D	Nutstrip - Tinnerman						1
19-24	0512000-13	Angle - Fuselage Skin Stiffener						2
19-25	0511282	Stringer Assembly - Engine Mount - Upper Left						2
	0511282-2	Stringer						1
	0411281-6	Bracket - Engine Mount Attachment						1
19-26	0511282-1	Stringer Assembly - Engine Mount - Upper Right						1
	0511282-3	Stringer						1
	0411281-6	Bracket - Engine Mount Attachment						1
19-27	0511283	Stringer Assembly - Engine Mount - Lower Left						1
	0511283-2	Stringer						1
	0411281-6	Bracket - Engine Mount Attachment						1
	0511283-1	Stringer Assembly - Engine Mount - Lower Right						1
	0511283-3	Stringer						1
	0411281-6	Bracket - Engine Mount Attachment						1
19-28	0513009	Bulkhead - Fuselage - Left (Sta. 8.125)						1
	0513009-1	Bulkhead - Fuselage - Right (Sta. 8.125)						1
19-29	0510124	Bulkhead - Rudder Pedal - Outboard - Left						1
	0510124-1	Bulkhead - Rudder Pedal - Outboard - Right						1
19-30	0513000-52	Tunnel Assembly - Fuselage Front Section						1
19-31	0510114-20	Bulkhead Assembly - Front Section Tunnel - Left						1
19-32	NAS395-12-3	Nut - (Tinnerman A1786-8Z-3)						1
19-33	0510113	Bulkhead - Front Section Tunnel - Left						2
19-34	0510128	Bracket - Rudder Pedal Return Spring						1
19-35	0510114-21	Bulkhead Assembly - Front Section Tunnel - Right						1
	NAS395-12-3	Nut - (Tinnerman A1786-8Z-3)						2
	0510113-1	Bulkhead - Front Section Tunnel - Right						1
19-36	0510135	Support Assembly - Control Tee						1
19-37	See Figure 25	Bracket - Brake Cylinder - Outboard						2
	See Figure 25	Bracket - Brake Cylinder - Inboard						2
19-38	0513000-10	Angle - Bulkhead Reinforcement - Left						2
	0513000-9	Angle - Bulkhead Reinforcement - Right						1
19-39	0510138	Cover Assembly - Fuselage Tunnel - Aft						1
19-40	0510138-2	Cover - Fuselage Tunnel - Aft						1
19-41	0510138-3	Cover Assembly - Tab Control - Left						1
	M451	Bearing - Torrington						1
19-42	0513000-8	Floorboard - Fuselage Front Section - Left						1
	0513000-7	Floorboard - Fuselage Front Section - Right						1
19-43	NAS395-14-3	Nut - (Tinnerman A1274-8Z-3)						1
19-44	0513008	Bulkhead - Instrument Panel Support - Left						6
19-45	0513008-1	Bulkhead - Instrument Panel Support - Right						1
19-46	0510139	Cover - Fuselage Tunnel - Forward						1
19-47	See Figure 34	Panel Assembly - Stationary Instrument						1
19-48	0511000-18	Skin - Landing Gear Bulkhead						1
19-49	See Figure 20	Bulkhead Assembly - Landing Gear						1
19-50	0513000-6	Brace - Stationary Instrument Panel						1
19-51	0413181-1	Clip - Upholstery Retainer						2
19-52	0511148	Angle - Upholstery Attachment						2
	PK86XZ-4-6	Screw - (Attach Upholstery Angle)						4

ORDER BY PART NUMBER AND NAME:

SERIAL NUMBER AND COLOR IF APPLICABLE

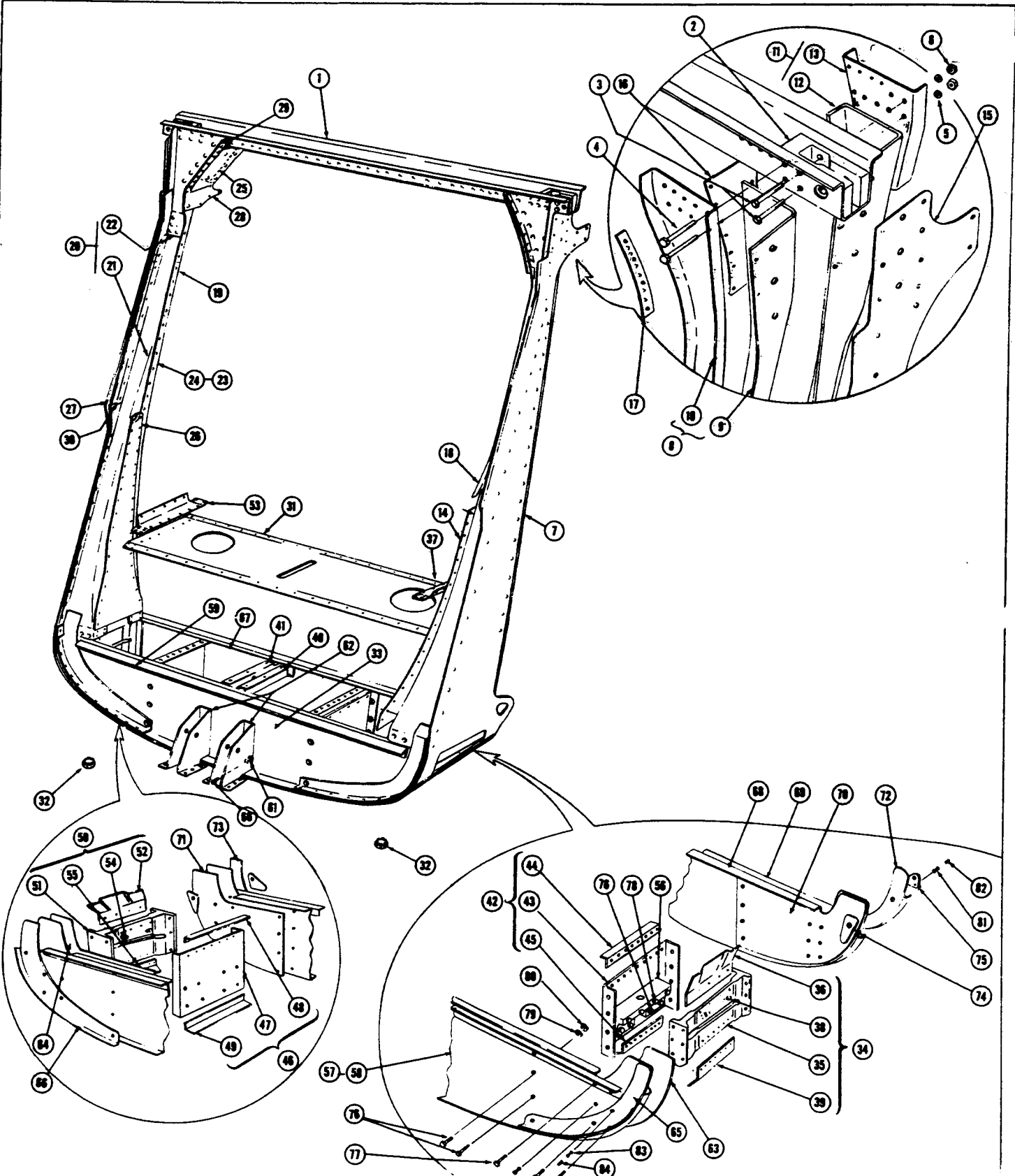


FIGURE 20 - BULKHEAD ASSEMBLY

ILLUSTRATED PARTS CATALOG

FIGURE 20

BULKHEAD ASSEMBLY - LANDING GEAR

FIGURE AND REF. NO.	PART NUMBER	PART NAME						UNITS REQ'D ON MODEL
		1	2	3	4	5	6	
	0513006-1	Bulkhead Assembly + Door Posts and Landing Gear Support						
20-1	0511162	Spar Assembly + Front Fuselage Center Section						1
20-2	0411129	Block - Fuselage Spar Bearing						1
20-3	AN3-20A	Bolt - (Attach Bearing Block - Outboard)						2
20-4	AN3-21A	Bolt - (Attach Bearing Block - Inboard)						4
20-5	AN960-10L	Washer						4
20-6	AN365-1032	Nut						8
20-7	0513006-48	Door Post Assembly - Fuselage - Left						8
20-8	0513006-44	Bulkhead Assembly - Door Post Forward - Left						1
20-9	0513006-3	Bulkhead - Door Post Forward - Left						1
20-10	0513006-40	Bracket - Bulkhead - Upper Forward - Left						1
20-11	0513006-46	Bulkhead Assembly - Door Post Rear - Left						1
20-12	0513006-34	Bulkhead - Door Post Rear - Left						1
20-13	0513006-38	Bracket - Door Post - Upper Rear - Left						1
20-14	0513006-8	Plate + Door Post Splice - Left						1
20-15	0513006-36	Skin - Door Post Outer - Left						1
20-16	0513006-42	Reinforcement + Door Post - Upper Inboard - Left						1
20-17	0513006-25	Retainer - Headlining - Left						1
20-18	0513006-16	Retainer - Windshield - Left						1
20-19	0513006-49	Door Post Assembly - Fuselage - Right						1
20-20	0513006-45	Bulkhead Assembly - Door Post Forward - Right						1
20-21	0513006-21	Bulkhead - Door Post Forward - Right						1
20-22	0513006-41	Bracket - Bulkhead - Upper Forward - Right						1
20-23	0513006-47	Bulkhead Assembly - Door Post Rear - Right						1
20-24	0513006-35	Bulkhead - Door Post Rear - Right						1
20-25	0513006-39	Bracket - Door Post - Upper Rear - Right						1
20-26	0513006-22	Plate - Door Post Splice - Right						1
20-27	0513006-37	Skin - Door Post Outer - Right						1
20-28	0513006-43	Reinforcement + Door Post - Upper Inboard - Right						1
20-29	0513006-26	Retainer - Headlining - Right						1
20-30	0513006-17	Retainer - Windshield - Right						1
20-31	0513006-11	Floorboard - Landing Gear Support Cover						1
20-32	NAS451-51	Plug Button - (United Carr 48143)						1
20-33	0511495-30	Bulkhead Assembly - Landing Gear Support						2
20-34	0511495-32	Bracket - Assembly - Landing Gear Support - Outboard - Left						1
20-35	0511495-2	Bracket - Landing Gear Support - Outboard - Left						1
20-36	0511495-4	Angle - Landing Gear Support - Upper Outboard - Left						1
20-37	0511495-11	Stiffener - Landing Gear Support - Upper Outboard - Left						1
20-38	NAS447-4168P	Nut-plate						1
20-39	0511495-5	Angle + Landing Gear Support - Lower Outboard						2
20-40	0510112	Bracket - Elevator Bellcrank - Left						1
20-41	0510112-1	Bracket - Elevator Bellcrank - Right						1
20-42	0511495-34	Bracket Assembly - Landing Gear Support - Inboard - Left						1
20-43	0511495-6	Bracket - Landing Gear Support - Inboard - Left						1
20-44	0511495-8	Angle - Landing Gear Support - Upper Inboard						1
20-45	0511495-9	Angle - Landing Gear Support - Lower Inboard						1
20-46	0511495-35	Bracket Assembly - Landing Gear Support - Inboard - Right						1
20-47	0511495-7	Bracket - Landing Gear Support - Inboard - Right						1
20-48	0511495-8	Angle - Landing Gear Support - Upper Inboard						1
20-49	0511495-9	Angle - Landing Gear Support - Lower Inboard						1
20-50	0511495-33	Bracket Assembly - Landing Gear Support - Outboard - Right						1
20-51	0511495-3	Bracket - Landing Gear Support - Outboard - Right						1
20-52	0511495-22	Angle - Landing Gear Support - Upper Outboard - Right						1
20-53	0511495-12	Stiffener - Landing Gear Support - Upper Outboard - Right						1
20-54	NAS447-4168P	Nut-plate						1
20-55	0511495-5	Angle - Landing Gear Support - Lower Outboard						2
20-56	0511495-10	Angle - Landing Gear Attachment						1
20-57	0511495-36	Bulkhead Assembly - Landing Gear Support - Front						2
20-58	0513006-9	Bulkhead - Landing Gear Support - Front						1
20-59	0513006-23	Angle - Front Bulkhead Reinforcement						1
20-60	AN3-4A	Bolt (Attach Pulley Bracket to Bulkhead)						1
20-61	AN365-1032	Nut						2
20-62	0510110	Bracket - Pulley - Aileron and Rudder						2
20-63	0511495-19	Plate - Bulkhead Reinforcement - Front - Left						2
20-64	0511495-20	Plate - Bulkhead Reinforcement - Front - Right						1
20-65	0511495-15	Stiffener - Bulkhead - Front - Left						1
20-66	0511495-16	Stiffener - Bulkhead - Front - Right						1
20-67	0511495-37	Bulkhead Assembly - Landing Gear Support - Rear						1
20-68	0513006-10	Bulkhead - Landing Gear Support - Rear						1
20-69	0513006-24	Angle - Rear Bulkhead Reinforcement						1
20-70	0511495-17	Plate + Bulkhead Reinforcement - Rear - Left						1
20-71	0511495-18	Plate + Bulkhead Reinforcement - Rear - Right						1
20-72	0511495-13	Stiffener - Bulkhead - Rear - Left						1
20-73	0511495-14	Stiffener - Bulkhead - Rear - Right						1
20-74	0511495-21	Spacer - Wing Strut Fitting - Front						1

ORDER BY PART NUMBER AND NAME

SERIAL NUMBER AND COLOR IF APPLICABLE



ILLUSTRATED PARTS CATALOG

FIGURE 20

BULKHEAD ASSEMBLY - LANDING GEAR (CONTINUED)

FIGURE AND REF. NO.	PART NUMBER	PART NAME						UNITS REQ'D ON MODEL
		1	2	3	4	5	6	
20-75	0511495-23						Plate - Wing Strut Fitting	4
20-76	AN5-6A						Bolt	10
20-77	AN5-7A						Bolt	32
20-78	AN5-15A						Bolt	8
20-79	AN960-516						Washer	66
20-80	AN365-524						Nut	52
20-81	NAS178-8-7						Rivet - Hi-Shear	2
20-82	NAS179-8						Collar - Rivet	2
20-83	NAS178-10-6						Rivet - Hi-Shear	4
20-84	NAS179-10						Collar - Rivet	4

FIGURE 21

WINDSHIELD INSTALLATION

FIGURE AND REF. NO.	PART NUMBER	WINDSHIELD INSTALLATION						UNITS REQ'D ON MODEL
		1	2	3	4	5	6	
21-1	0510000-15						Windshield	1
21-2	0510000-4						Pad - Windshield Felt - Side and Bottom	1
21-3	0510000-22						Strip - Windshield Attachment - Lower Inner	1
21-4	0510000-21						Strip - Windshield Attachment - Lower Outer	1
21-5	0510000-23						Strip - Windshield Support - Center Outer	1
21-6	0510000-17						Strip - Windshield Support - Center Inner	1
21-7	AN526-1032R10						Screw	6
21-8	0311001-27						Washer	12
21-9	22NKM-10-3						Nut	6
21-10	0510000-9						Clip - Fairing Retainer	2
21-11	0511000-25						Retainer - Windshield - Top	1
21-12	0510000-5						Pad - Windshield - Felt (Top)	1
21-13	See Figure 20						Retainer - Windshield - Left (Side)	1
	See Figure 20						Retainer - Windshield - Right (Side)	1

ORDER BY PART NUMBER AND NAME

SERIAL NUMBER AND COLOR IF APPLICABLE

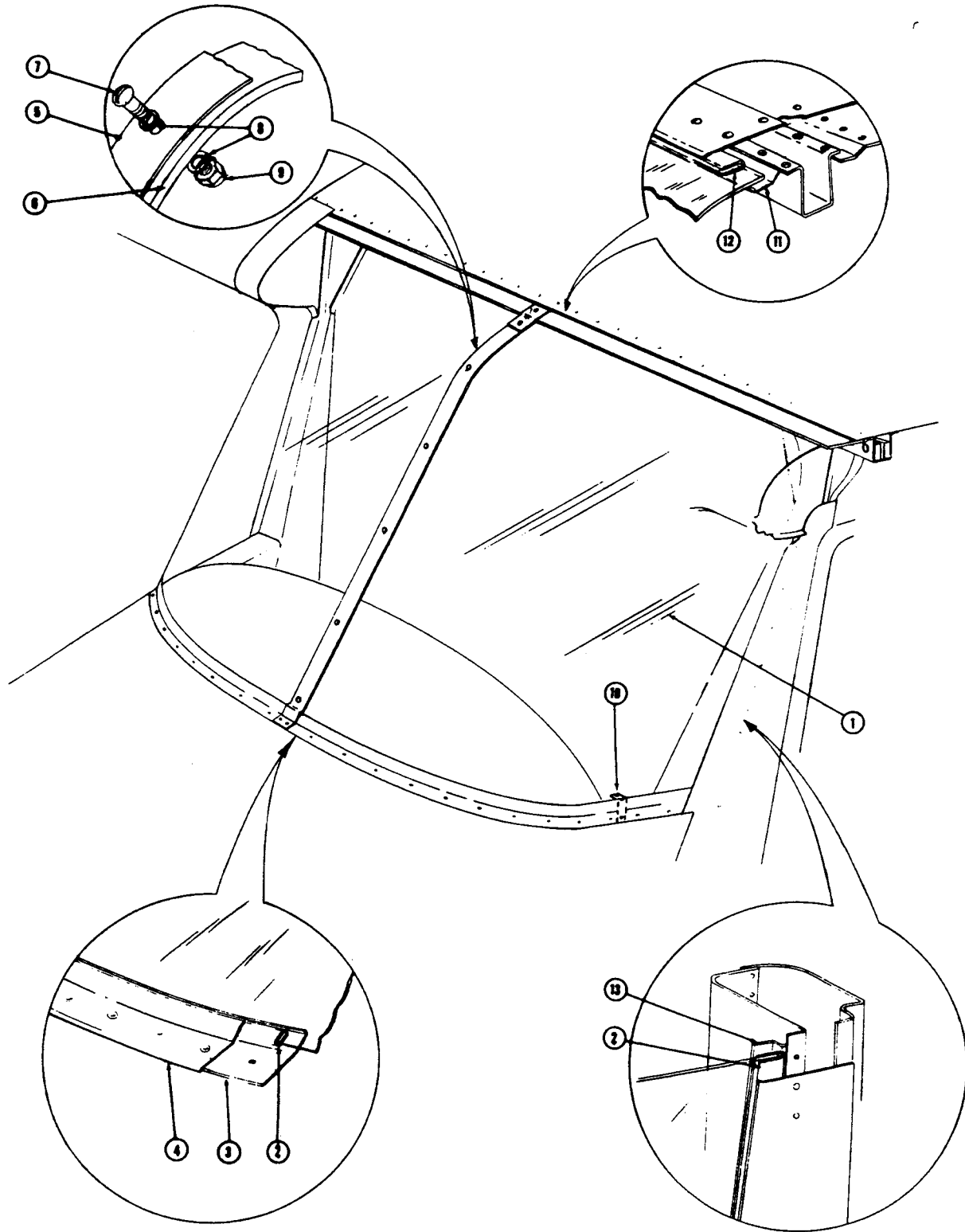


FIGURE 21 - WINDSHIELD INSTALLATION

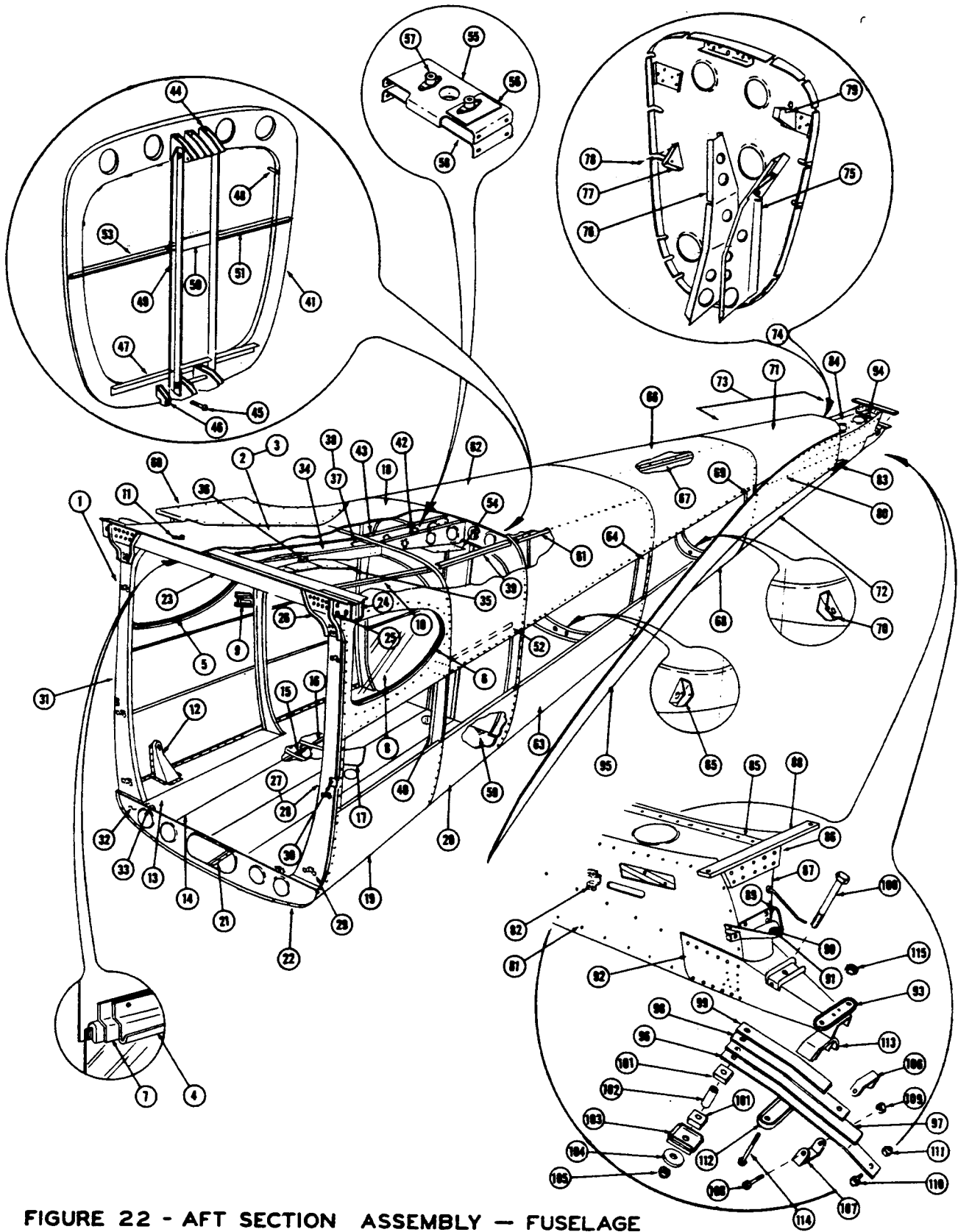


FIGURE 22 - AFT SECTION ASSEMBLY — FUSELAGE

ILLUSTRATED PARTS CATALOG

FIGURE 22

AFT SECTION ASSEMBLY - FUSELAGE

FIGURE AND REF. NO.	PART NUMBER	PART NAME						UNITS REQ'D ON MODEL
		1	2	3	4	5	6	
22-1	0512000-1	Aft Section Assembly - Fuselage						1
22-2	0512000-53	Skin Assembly - Aft Section - Upper						1
22-3	0512000-31	Skin - Aft Section - Upper (Sta. 65.33 to 90)						1
22-4	0511138-1	Retainer - Window Interior Trim - Upper Right						1
	0511138	Retainer - Window Interior Trim - Upper Left						1
22-5	0511143-5	Retainer - Window Interior Trim - Right						1
22-6	0511143-6	Retainer - Window Interior Trim - Left						1
22-7	0512000-14	Frame Assembly - Aft Section Window						1
22-8	0512000-54	Window - Aft Section						2
	0412152-9	Moulding - Aft Section Window						2
22-9	0511108-19	Catch - Rear Seat Back - Right						1
	0511108-18	Catch - Rear Seat Back - Left						1
22-10	0512000-16	Stiffener - Upper Aft Section Skin - Left						1
	0512000-17	Stiffener - Upper Aft Section Skin - Right						1
22-11	0511133	Bracket - Upholstery Wire						1
22-12	0511108-17	Bracket - Rear Seat - Right						2
	0511108-16	Bracket - Rear Seat - Left						1
22-13	0512000-51	Floorboard Assembly - Fuselage - Rear						1
22-14	0512000-11	Floorboard - Fuselage - Rear						1
22-15	0512000-12	Angle - Floorboard Stiffener (Sta. 65.33 to 90.00)						1
22-16	0512000-13	Angle - Floorboard Stiffener (Sta. 95.00 to 108.00)						5
22-17	0512000-24	Plate - Floorboard Reinforcement						3
22-18	0512000-6	Skin - Upper Aft Section - Fuselage (Sta. 90.00 to 108)						1
22-19	0512000-5	Skin - Lower Aft Section - Fuselage (Sta. 65.33 to 90.00)						1
22-20	0512000-7	Skin - Lower Aft Section - Fuselage (Sta. 90.00 to 108.00)						1
22-21	0512000-20	Angle - Fuselage Reinforcement (Sta. 65.33 to 90.00)						1
22-22	0512114-19	Bulkhead Assembly - Fuselage Aft Section (Sta. 65.33)						1
22-23	0512114-14	Spar - Fuselage Rear						1
22-24	0512122	Block - Fuselage Spar Bearing						1
22-25	AN3-20A	Bolt						2
	AN365-1032	Nut						8
22-26	0512114-6	Brace - Bulkhead to Rear Spar - Left						8
	0512114-5	Brace - Bulkhead to Rear Spar - Right						1
22-27	0512114-20	Channel Assembly - Left						1
22-28	0512114-16	Channel - Left						1
22-29	0512114-13	Retainer						1
22-30	0411582	Strike Plate - Door Catch						3
	PK76XZ-8-6	Screw - (Attach Strike Plate)						1
	NAS445-4	Nutplate - Tinnerman						2
22-31	0512114-21	Channel Assembly - Right						2
	0512114-15	Channel - Right						1
	0512114-13	Retainer						1
	0411582	Strike Plate - Door Catch						3
	PK76XZ-8-6	Screw - (Attach Strike Plate)						1
	NAS445-4	Nutplate - Tinnerman						2
22-32	0512114-22	Bulkhead Assembly - Lower						2
	0512114-8	Bulkhead - Lower						1
22-33	AN366-F428	Nutplate						1
22-34	0510155	Rib - Forward Tunnel - Left						2
	0510155-1	Rib - Forward Tunnel - Right						1
22-35	0510156	Plate - Upper Tunnel						1
22-36	0511133	Bracket - Upholstery Wire						1
22-37	0510154	Bracket Assembly - Aileron Pulley - (Upper)						2
	0510154-2	Bracket - Aileron Pulley						1
	AN366-F428	Nutplate						1
22-38	0510154-2	Bracket - Aileron Pulley - (Lower)						1
22-39	0512000-18	Stiffener - Upper Aft Section Skin						1
22-40	0512113	Bulkhead Assembly - Fuselage Aft Section (Sta. 90.00)						2
	0512113-7	Angle - Bulkhead Reinforcement						1
	0511176	Clip - Upholstery Wire						1
22-41	0512112-9	Bulkhead - Fuselage Aft Section (Sta. 108)						4
22-42	0510121	Support Assembly - Aft Section Tunnel - Left						1
	NAS395-23-3	Nut - Tinnerman						1
22-43	0510121-1	Support Assembly - Aft Section Tunnel - Right						3
	NAS395-23-3	Nut - Tinnerman						1
22-44	0510118	Bracket - Pulley						3
22-45	AN520-10R7	Screw - (Attach Pulley Bracket)						5
	AN365-428	Nut						5
22-46	0412467	Bracket - Elevator Tab Pulley						5
22-47	0511149	Retainer - Baggage Curtain						1
22-48	0511132	Clip - Upholstery Wire						1
22-49	0512112-7	Angle - Pulley Bracket Reinforcement						9
22-50	0512000-25	Angle - Stiffener Reinforcement						2
22-51	0512000-21	Angle - Baggage Shelf Stiffener						1
22-52	0511145	Retainer - Upholstery						1

ORDER BY PART NUMBER AND NAME

SERIAL NUMBER AND COLOR IF APPLICABLE



ILLUSTRATED PARTS CATALOG

FIGURE 22

AFT SECTION ASSEMBLY - FUSELAGE (CONTINUED)

FIGURE AND REF. NO.	PART NUMBER	PART NAME						UNITS REQ'D ON MODEL
		1	2	3	4	5	6	
22-53	0511146							1
22-54	0510122-3							1
22-55	0510152							1
22-56	0510152-3							1
22-57	AN366-F428							1
22-58	0510153							2
22-59	AN366-F428							1
22-60	0512127-1							4
	0512127							1
22-61	0512000-19							1
22-62	0512000-8							2
22-63	0512000-9							1
22-64	0512111							1
22-65	0510106							1
	AN520-10R7							1
	AN365-428							1
22-66	0512000-27							1
22-67	0512000-32							1
22-68	0512000-28							1
22-69	0512110							1
22-70	0510106-1							1
	AN507-10R7							1
	AN365-1032							1
22-71	0512000-29							1
22-72	0512000-30							1
22-73	0512000-52							1
22-74	0512109							1
22-75	0510142							1
22-76	0510143							1
22-77	0411447							1
22-78	AN520-10R7							2
	AN365-1032							2
22-79	0412467							2
22-80	0512119							1
	0512119-1							1
22-81	0512000-10							1
22-82	0412142							1
22-83	0512117							2
	0512117-1							1
22-84	0512118							1
22-85	0512118-4							1
	0512118-3							1
22-86	0512108							1
22-87	0512108-3							1
22-88	0512108-5							1
22-89	0510109							1
22-90	A-325-1							1
22-91	0431119							1
22-92	0512125-1							1
22-93	0442115							1
22-94	0512126							1
22-95	0512000-26							1
22-96	0542106							2
22-97	0542105							1
22-98	0442108-2							1
22-99	0442109-2							1
22-100	AN6-23A							1
22-101	0442119-1							1
22-102	0442129-1							2
22-103	0442116-1							1
22-104	0442128							3
22-105	AN365-624							1
22-106	0542108							1
22-107	0442125							1
22-108	AN4-21A							1
22-109	AN365-428							1
22-110	AN7-10A							1
22-111	AN365-720							1
22-112	0442127							1
22-113	0442124							2
22-114	AN3-20A							1
22-115	AN365-1032							2

ORDER BY PART NUMBER AND NAME

SERIAL NUMBER AND COLOR IF APPLICABLE

ILLUSTRATED PARTS CATALOG

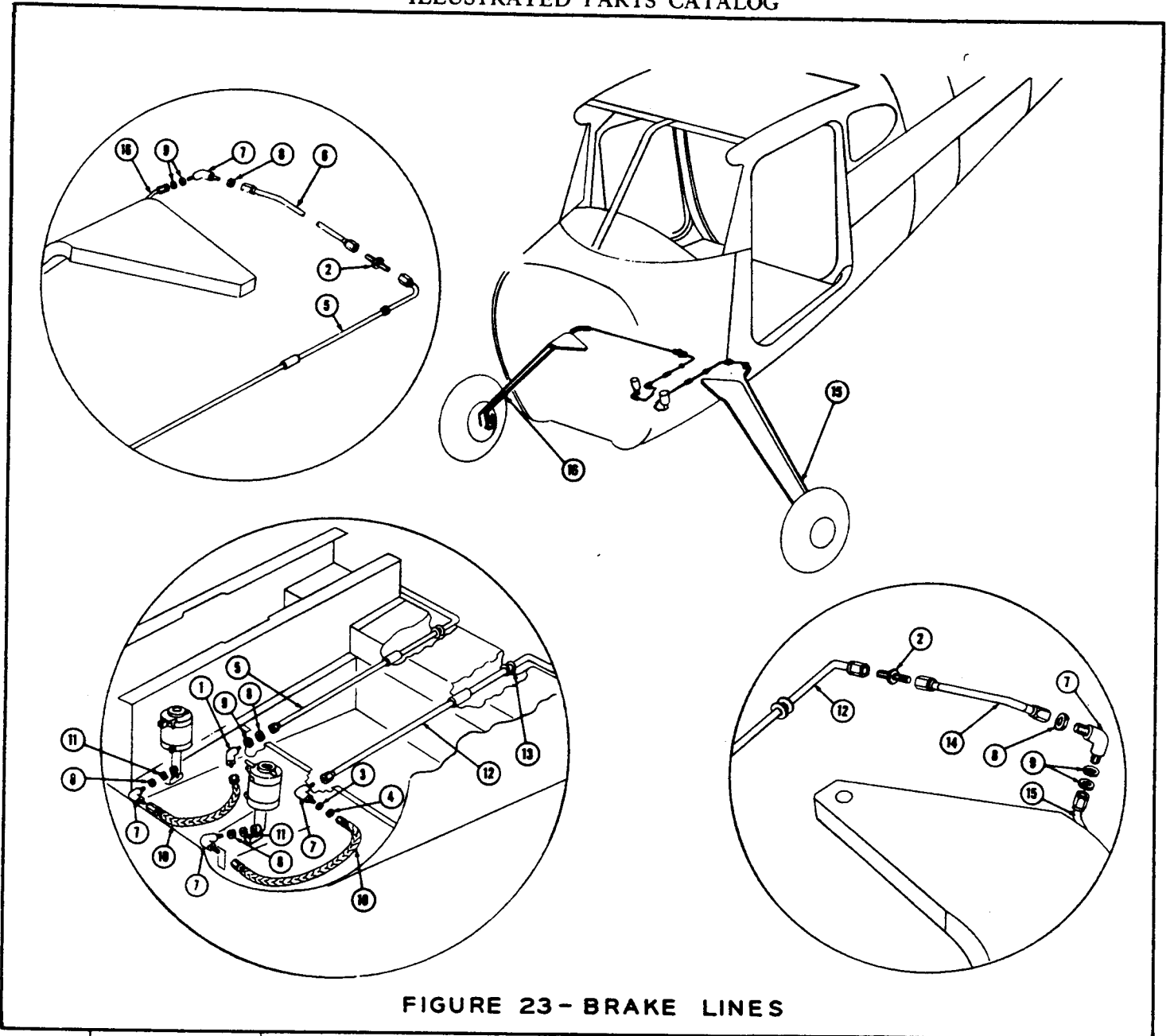
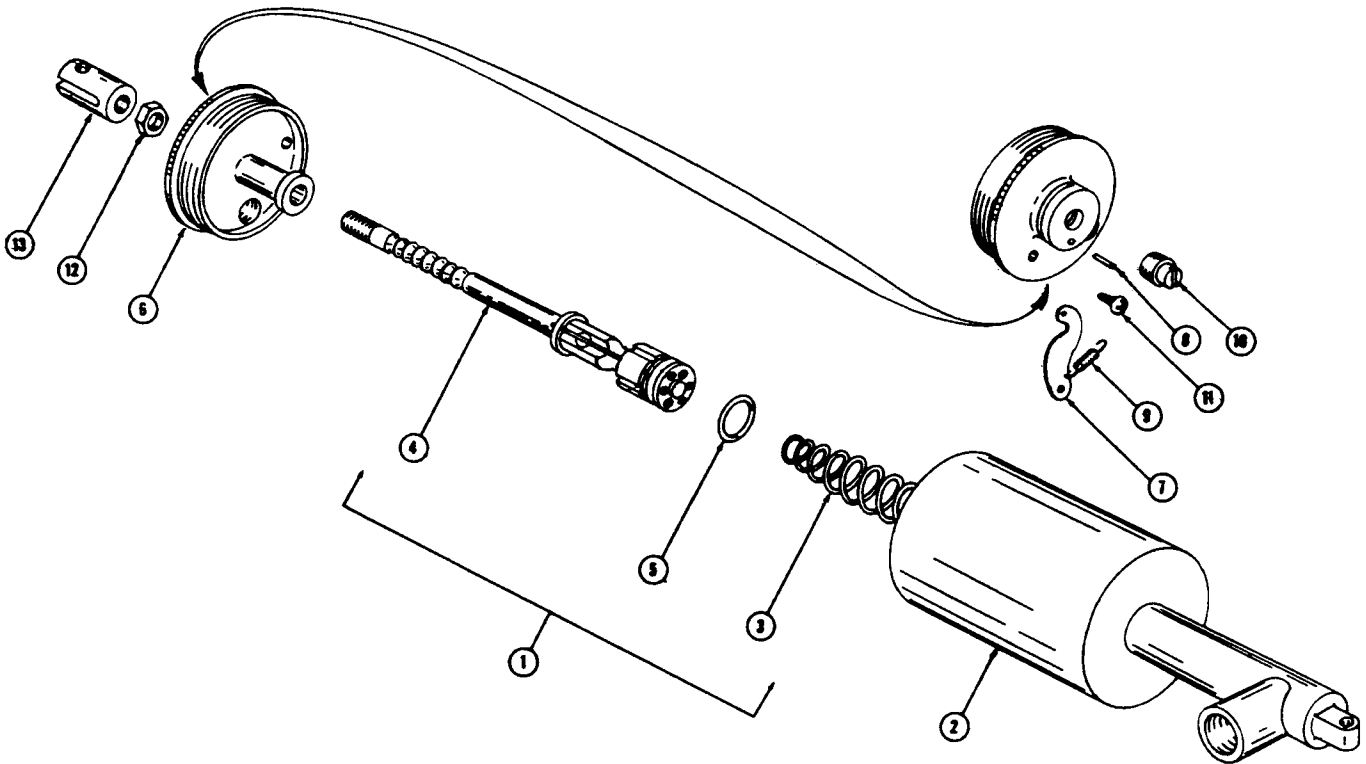


FIGURE 23 - BRAKE LINES

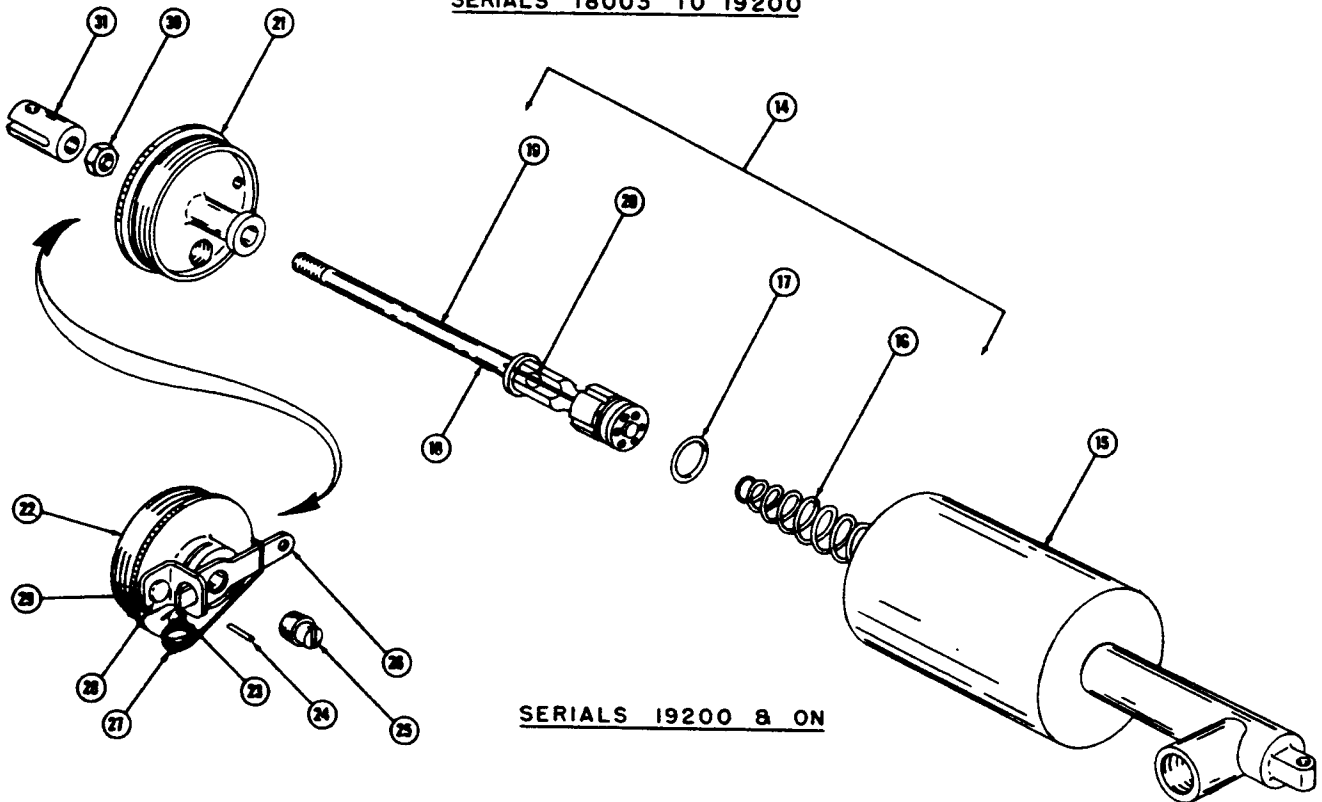
FIGURE AND REF. NO.	PART NUMBER	PART NAME						UNITS REQ'D ON MODEL
		1	2	3	4	5	6	
23-1	AN837-4D	Elbow 45°						1
23-2	AN815-4D	Union						2
23-3	AN960-716L	Washer						1
23-4	AN924-4D	Nut						1
23-5	0500106-14	Brake Line - Flexible Hose to Union - Right						1
23-6	0500106-13	Brake Line - Union to Fuselage Skin - Right						1
23-7	AN833-4D	Elbow						1
23-8	AN924-4D	Nut						5
23-9	AN960-716L	Washer						5
23-10	AN859-4D-10	Hose - Flexible						2
23-11	AN902-4	Gasket						2
23-12	0500106-35	Brake Line - Flexible Hose to Union - Left						2
23-13	AN921-4S-12	Grommet - Split						1
23-14	0500106-12	Brake Line - Union to Fuselage Skin - Left						2
23-15	See Figure 27	Brake Line - Landing Gear - Left						1
23-16	See Figure 27	Brake Line - Landing Gear - Right						1

ORDER BY PART NUMBER AND NAME

SERIAL NUMBER AND COLOR IF APPLICABLE



SERIALS 18003 TO 19200



SERIALS 19200 & ON

FIGURE 24 - MASTER CYLINDER - BRAKE

ILLUSTRATED PARTS CATALOG

FIGURE 24

MASTER CYLINDER - BRAKE

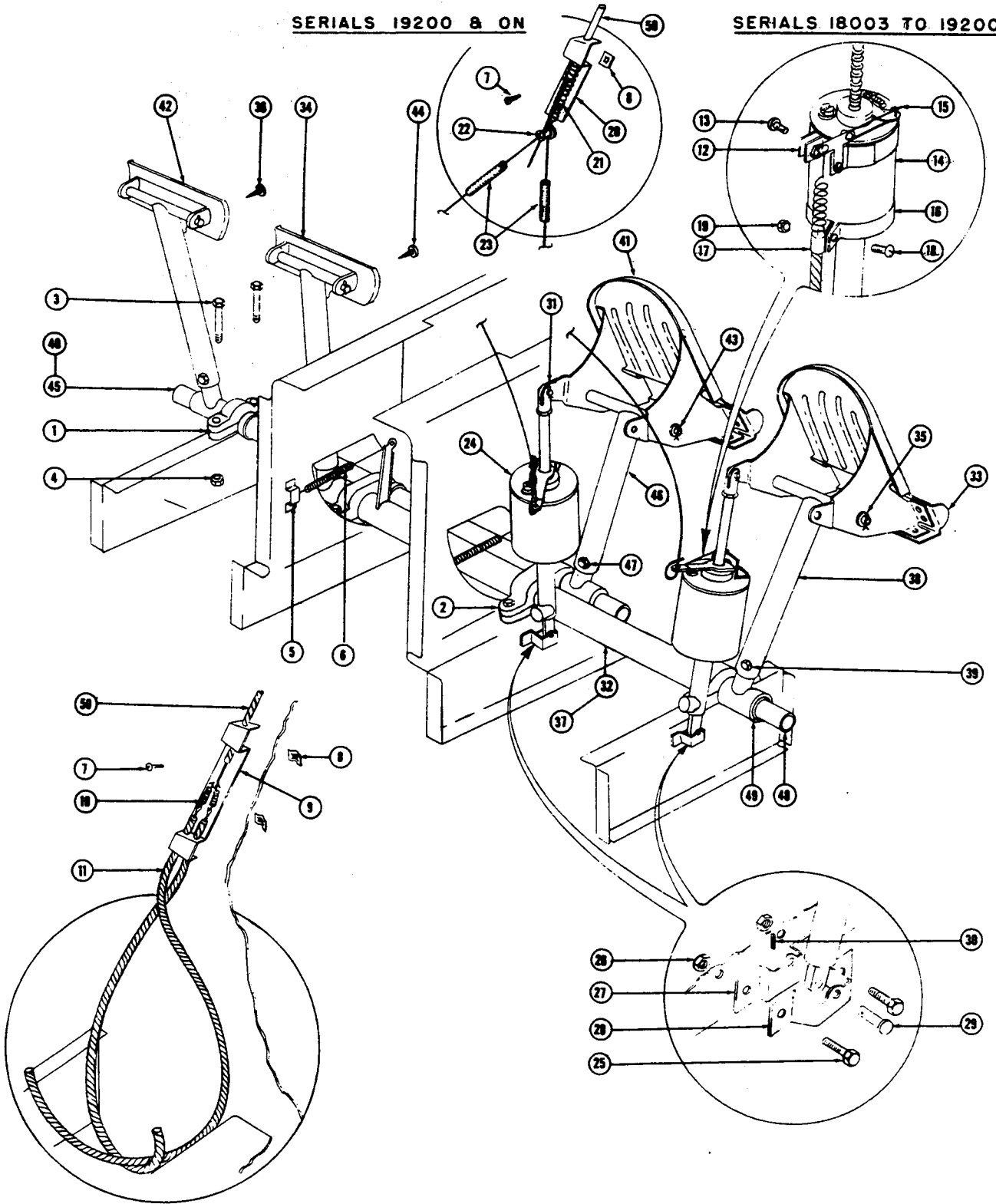
FIGURE AND REF. NO.	PART NUMBER	PART NAME						UNITS REQ'D ON MODEL
		1	2	3	4	5	6	
24-1	0411058	Master Cylinder - Brake (Serials 18003 To 19200)						2
24-2	0411058-2	Sub Assembly - Cylinder And Reservoir						1
24-3	0411058-3	Spring - Piston Return						1
24-4	0411058-4	Sub Assembly - Piston And Rod						1
24-5	AN6227-7	"O" Ring						1
24-6	0411058-5	Cover - Reservoir						1
24-7	0411058-6	Lever - Parking						1
24-8	0411058-7	Pin - Dowel						1
24-9	0411058-8	Spring - Tension						1
24-10	0411058-9	Plug - Plastic						1
24-11	AN530-6R4	Screw						1
24-12	AN316-412	Nut - Check						1
24-13	0411058-10	Clevis - Rod End						1
24-14	0441019	Master Cylinder - L. H. Brake (Serials 19200 and on)						1
	0441019-1	Master Cylinder - R. H. Brake (Serials 19200 and on)						1
24-15	0411058-2	Sub Assembly - Cylinder And Reservoir						1
24-16	0411058-3	Spring - Piston Return						1
24-17	AN6227-7	"O" Ring						1
24-18	0441019-2	Piston Assembly						1
24-19	0441019-6	Rod						1
24-20	AN426AD3-6	Rivet						1
24-21	0441019-3	Cover Assembly - Complete						1
	0441019-7	Cover Assembly						1
24-22	0411058-5	Cover						1
24-23	AN530-6R4	Screw						1
24-24	0411058-7	Pin - Dowel						1
24-25	0411058-9	Plug - Plastic						1
24-26	0441019-5	Lever						1
24-27	0441019-8	Spring						1
24-28	AN470AD4	Rivet						1
24-29	0441019-4	Bracket						1
24-30	AN316-412	Nut - Check						1
24-31	0411058-10	Clevis - Rod End						1
		Conversion - Brake Cylinder And Parking Installation						1
	0441019-5	Lever						2
	0441019-8	Spring						2
	AN470AD4	Rivet						2
	0441019-4	Bracket						2
	0441019-6	Rod						2
	AN426AD3-6	Rivet						2
	0413186-3	Clamp (See Figure 25)						1
	PK76XZ-8-8	Screw (See Figure 25)						2
	NAS446-4	Nut - (Finnerman A1778-8Z-3) (See Figure 25)						2
	0441021	Spring (See Figure 25)						1
	0450258	Clamp (See Figure 25)						1
	AN500A-8-5	Screw (See Figure 25)						1
	0441020	Spring (See Figure 25)						2

ORDER BY PART NUMBER AND NAME

SERIAL NUMBER AND COLOR IF APPLICABLE

SERIALS 19200 & ON

SERIALS 18003 TO 19200



SERIALS 18003 TO 19200

FIGURE 25 - BRAKE AND RUDDER PEDALS



ILLUSTRATED PARTS CATALOG

FIGURE 25

BRAKE AND RUDDER PEDAL INSTALLATION

FIGURE AND REF. NO.	PART NUMBER	PART NAME						UNITS REQ'D ON MODEL
		1	2	3	4	5	6	
	0510401	Pedal Installation - Rudder and Single Brakes (Reference Only)						
25-1	0411263							2
25-2	0411264							2
25-3	AN3-14A							2
25-4	AN365-1032							8
25-5	See Figure 19							8
25-6	0310196-4							2
	0310196-3							1
25-7	PK76XZ-8-8							1
25-8	NAS446-4							2
25-9	0413186							2
25-10	0411647							1
25-11	0413187							2
25-12	0411640							2
25-13	AN526-832R-8							2
	AN365-832							1
25-14	See Figure 24							1
25-15	0413188							2
25-16	0411641							2
	0411643							2
25-17	A2980A-3							1
25-18	AN526-832R-10							1
25-19	AN365-832							1
25-20	0413186-3							1
25-21	0441021							1
25-22	0450258							1
	AN500A-8-5							1
25-23	0441020							1
25-24	See Figure 24							2
25-25	AN3-3A							2
25-26	AN365-1032							4
25-27	0411549							4
25-28	0411550							2
25-29	AN393-13							2
25-30	AN380-2-2							2
25-31	AN393-19							2
	AN380-2-2							2
25-32	0411454							2
25-33	0310452							1
	0510150							1
25-34	0411739							1
25-35	0411369-2							1
	AN380-3-4							2
25-36	PK76XZ-10-6							4
25-37	0411306							1
25-38	0411307							1
25-39	AN3-11A							2
	AN365-1032							2
25-40	0411454-1							2
25-41	0310452							1
	0510150							1
25-42	0411739							1
25-43	0411369-2							1
	AN380-3-4							2
25-44	PK76XZ-10-6							4
25-45	0411306-1							2
25-46	0411307							1
25-47	AN3-11A							2
	AN365-1032							2
25-48	0411565							2
25-49	0411548							4
25-50	See Figure 33							1

ORDER BY PART NUMBER AND NAME

SERIAL NUMBER AND COLOR IF APPLICABLE

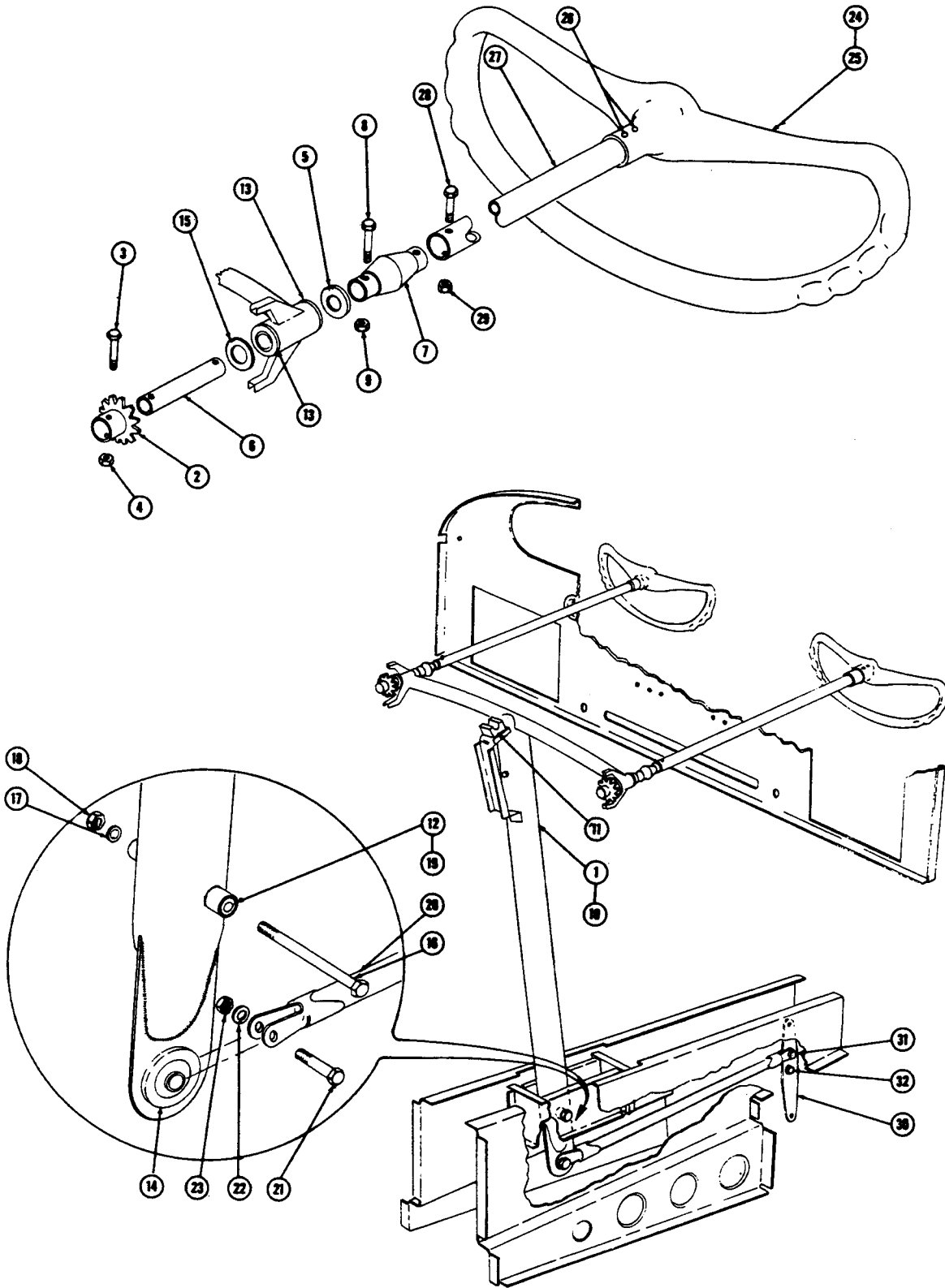


FIGURE 26 - CONTROL TEE ASSEMBLY

ILLUSTRATED PARTS CATALOG

FIGURE 26

CONTROL TEE INSTALLATION

FIGURE AND REF. NO.	PART NUMBER	PART NAME						UNITS REQ'D ON MODEL
		1	2	3	4	5	6	
		Tee Installation - Control						
26-1	0411221	Assembly - Control Tee Column						1
26-2	0411047	Sprocket - Aileron Control Chain						2
26-3	AN3-11A	Bolt						2
26-4	AN365-1032	Nut						2
26-5	0411221-2	Washer - Control Tee Column						2
	AN960-A816L	Washer						AR
26-6	0411255	Shaft - Control Tee Column						AR
26-7	0411257	Joint - Control Tee Universal						2
26-8	AN3-10A	Bolt						2
26-9	AN365-1032	Nut						2
26-10	0411326	Machining Assembly - Control Tee						2
	0411256	Weld Assembly - Control Tee						1
26-11	0411883	Fairlead - Control Tee Follow Thru Bar						1
26-12	B610X	Bearing - Torrington						1
26-13	F620	Bushing - Oilite						2
26-14	KS-4	Bearing - Fafnir						4
26-15	AN960-816	Washer						1
26-16	AN4-31A	Bolt						2
26-17	AN960-416L	Washer						1
26-18	AN365-428	Nut						1
26-19	S-18-30	Bushing						1
26-20	0510161	Link - Elevator Control						1
26-21	AN4-10A	Bolt						1
26-22	AN960-416	Washer						1
26-23	AN365-428	Nut						1
26-24	0413016-1	Wheel Assembly - Control						1
26-25	0413016-2	Wheel - Control						2
26-26	0413216	Rivet						1
26-27	0413213-1	Tube - Control - Chrome Plated						2
26-28	AN3-11A	Bolt						1
26-29	AN365-1032	Nut						1
26-30	0510159	Bellcrank Assembly - Elevator Control						1
	AN200KS4	Bearing						1
	NAS296-4A	Bearing						1
26-31	AN4-10A	Bolt						1
	AN960-416	Washer						1
	AN365-428	Nut						2
26-32	AN4-10A	Bolt						1
	AN365-428	Nut						1
								1

ORDER BY PART NUMBER AND NAME

SERIAL NUMBER AND COLOR IF APPLICABLE

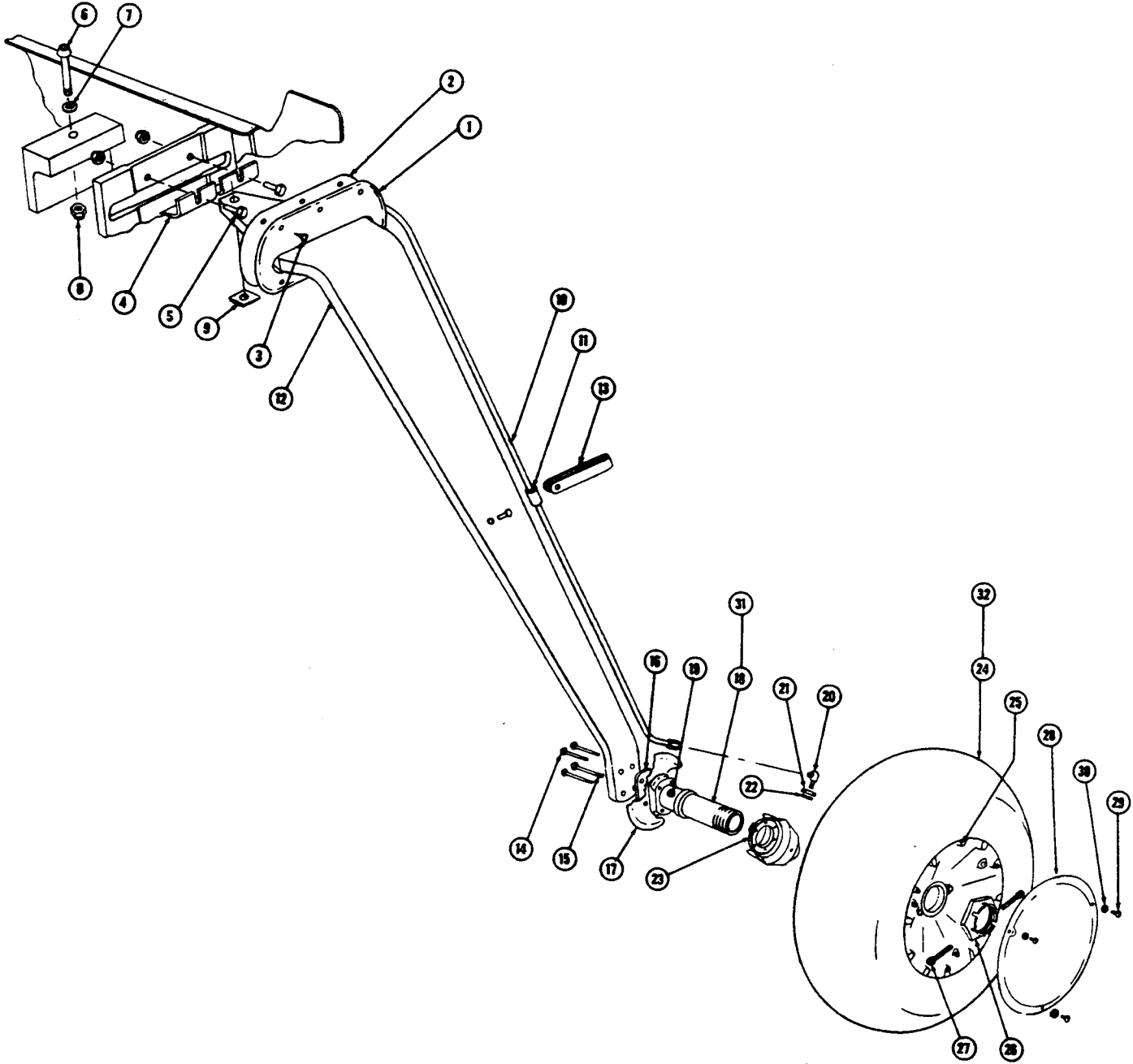


FIGURE 27 - LANDING GEAR INSTALLATION

ILLUSTRATED PARTS CATALOG

FIGURE 27

LANDING GEAR INSTALLATION

FIGURE AND REF. NO.	PART NUMBER	PART NAME						UNITS REQ'D ON MODEL
		1	2	3	4	5	6	
27-1	0511124	Plate - Landing Gear Fillet						2
27-2	0511125	Seal						2
27-3	PK76XZ-8-8	Screw						14
27-4	0441115	Wedge - Landing Gear Support						4
27-5	AN4-11A	Bolt						4
27-6	AN7-20A	Bolt						2
27-7	AN960-716	Washer						2
27-8	AN365-720	Nut						2
27-9	0541105	Shim - Landing Gear Attachment						AR
	0541103-2	Landing Gear Assembly - Left (Serials 18003 to 19219)						1
	0541103-6	Landing Gear Assembly - Left (Serials 19219 and on)						1
	0541103-1	Landing Gear Assembly - Right (Serials 18003 to 19219)						1
	0541103-5	Landing Gear Assembly - Right (Serials 19219 and on)						1
27-10	0500106-10	Brake Line - Landing Gear - Left						1
	0500106-11	Brake Line - Landing Gear - Right						1
27-11	0441119	Hose - Brake Line Protector						1
27-12	0441138-3	Spring - Main Landing Gear (Serials 18003 to 19219)						1
	0541114	Spring - Main Landing Gear (Serials 19219 and on)						1
27-13	0541104	Strap - Brake Line Retainer (Serials 18003 to 19219)						1
	0541136	Bracket - Brake Line Retainer (Serials 19219 and on)						1
27-14	AN5-23A	Bolt						2
27-15	AN5-22A	Bolt - (Serials 18003 to 19219)						2
	AN6-23A	Bolt - (Serials 19219 and on)						2
27-16	0541111	Shim - Landing Gear (Serials 18003 to 19219)						1
	0541111-1	Shim - Landing Gear (Serials 19219 and on)						1
27-17	0441141	Plate - Brake Disc Cover - Left						1
	0441141-1	Plate - Brake Disc Cover - Right						1
27-18	0441140	Axle - Landing Gear (Serials 18003 to 19219)						1
	0541124	Axle - Landing Gear (Serials 19219 and on)						1
27-19	AN365-524	Nut - (Serials 18003 to 19219)						4
	AN365-524	Nut - Upper (Serials 19219 and on)						2
	AN365-624	Nut - Lower (Serials 19219 and on)						2
27-20	AN833-4D	Elbow						1
27-21	AN924-4D	Nut						1
27-22	AN902-4	Gasket						1
27-23	See Figure 28	Brake Assembly - 6.00 x 6						1
27-24	6.00 x 6	Tire - Aircraft - 4 Ply						1
	6.00 x 6	Tube - Aircraft						1
27-25	See Figure 28	Wheel Assembly - 6.00 x 6						1
27-26	AN7502-24	Nut - Axle						1
27-27	AN380-4-3	Pin - Cotter						2
27-28	0441010	Fairing - Main Landing Gear Wheel						1
27-29	AN515-6-4	Screw						3
27-30	AN936-A6	Washer - Lock						3
27-31	0541124-1	Axle - Solid (Optional - Used With Skis)						1
27-32	8.00 x 6	Tire - Aircraft - 4 Ply (Optional)						1
	8.00 x 6	Tube - Aircraft (Optional)						1

ORDER BY PART NUMBER AND NAME

SERIAL NUMBER AND COLOR IF APPLICABLE

ILLUSTRATED PARTS CATALOG

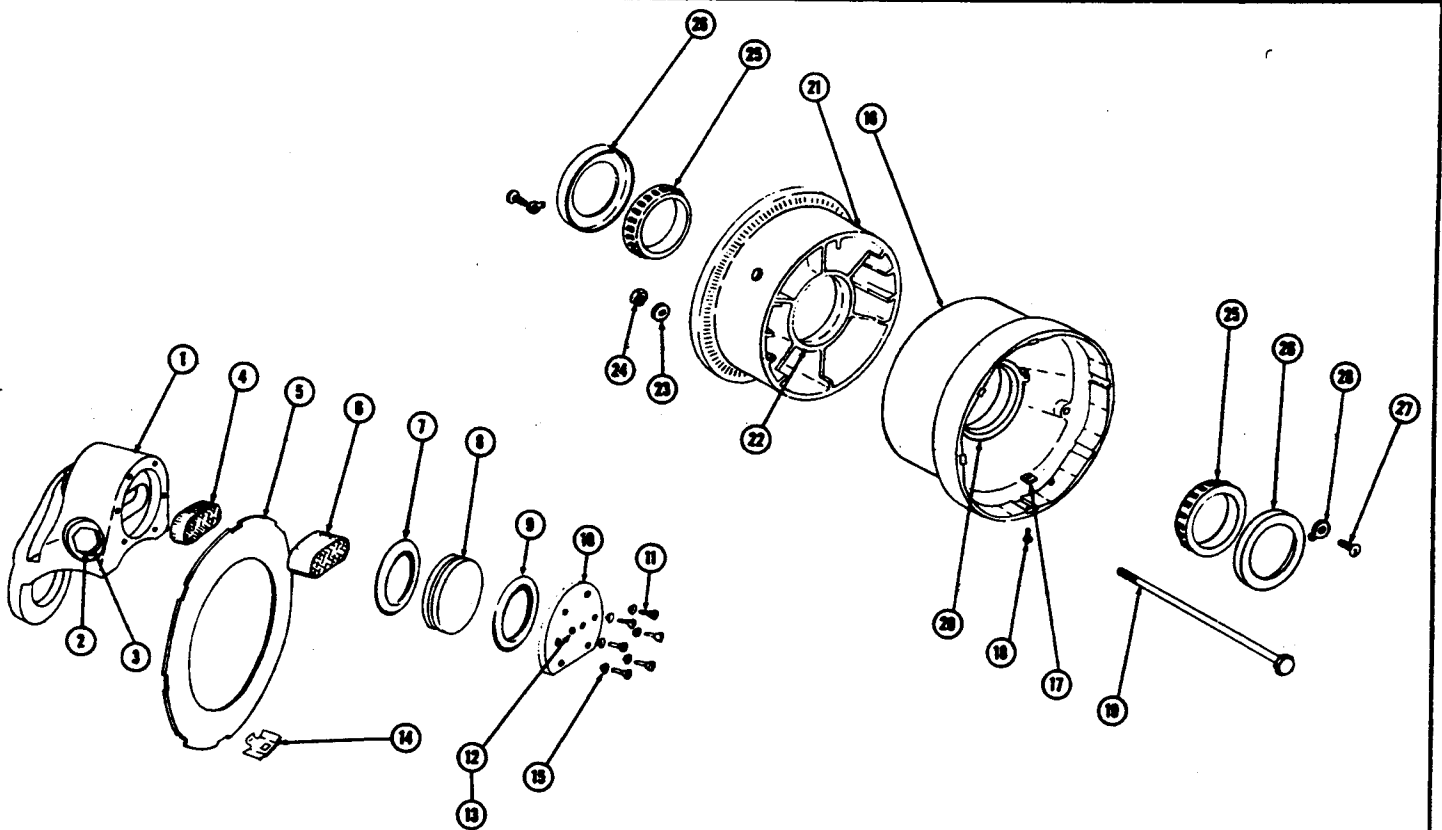


FIGURE 28 - WHEEL AND BRAKE ASSEMBLY

FIGURE AND REF. NO.	PART NUMBER	PART NAME						UNITS REQ'D ON MODEL
		1	2	3	4	5	6	
	0541103-3	Brake Assembly - (Serials 18003 To 19219)						2
	0541103-4	Brake Assembly - Left (Serials 19219 and on)						1
	0541103-8	Brake Assembly - Right (Serials 19219 and on)						1
28-1	0541117-2	Housing - Brake Cylinder (Serials 18003 To 19219)						1
	0541103-10	Housing - Brake Cylinder - Left (Serials 19219 and on)						1
	0541103-11	Housing - Brake Cylinder - Right (Serials 19219 and on)						1
28-2	0541117-8	Plug - Inlet						1
28-3	AN902-4	Gasket - Inlet						1
28-4	0541117-10	Lining - Brake Stationary						1
28-5	0541117-11	Disc - Rotating - Brake						1
28-6	0541117-9	Lining - Brake Piston Side						1
28-7	0541117-5	Seal - Piston						1
28-8	0541117-3	Piston						1
28-9	AN6230-2	Seal - Cylinder Head						1
28-10	0541117-4	Cylinder Head						1
28-11	0541117-6	Screw - Flat Head Socket Cap						1
28-12	AN505-8R5	Screw - Bleeder						6
28-13	0541117-7	Seal - Bleeder Screw						2
28-14	0541117-12	Clip - Anti Rattle						2
28-15	AN936-C10	Washer - Lock						4
	0441016	Wheel Assembly - 6.00 x 6						6
28-16	0441016-2	Wheel Sub Assembly - Inboard Half						1
28-17	0441016-4	Key - Disc Drive						1
28-18	0441016-5	Screw - Disc Drive						8
28-19	AN4-47A	Bolt						8
28-20	0441016-6	Cup - Inboard						3
28-21	0441016-7	Wheel Sub Assembly - Outboard Half						1
28-22	0441016-6	Cup - Outboard						1
28-23	AN960-416	Washer						1
28-24	AN365-428	Nut						3
28-25	0441016-9	Cone						3
28-26	0441016-10	Ring - Bearing Retaining						2
28-27	0441016-15	Screw						2
28-28	0441016-11	Locking Terminals						4
								4

ORDER BY PART NUMBER AND NAME

SERIAL NUMBER AND COLOR IF APPLICABLE

ILLUSTRATED PARTS CATALOG

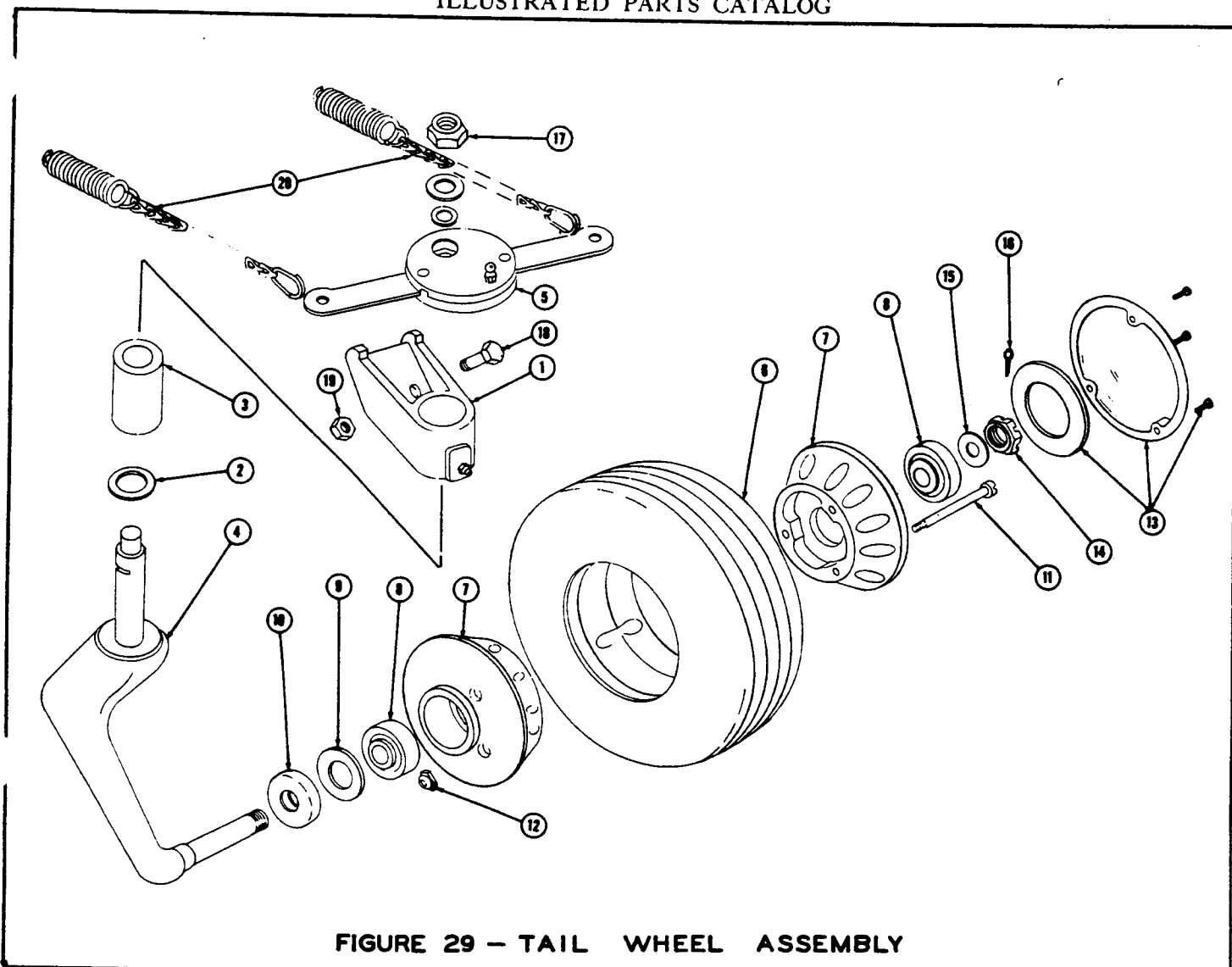


FIGURE 29 - TAIL WHEEL ASSEMBLY

FIGURE AND REF. NO.	PART NUMBER	PART NAME						UNITS REQ'D ON MODEL
		1	2	3	4	5	6	
	0442006	Tail Wheel - Scott 3-24B						
29-1	0442006-5	Bracket Assembly - Tail Wheel						
29-2	0442006-7	Cap - Bushing						1
29-3	0442006-6	Bushing - Bracket - (Bronze)						1
29-4	0442006-8	Fork - Single Arm Machined						1
29-5	0442006-4	Arm and Cam Assembly - Tail Wheel						1
	0442006-19	Wheel Assembly - Cast - (with Tire and Bearing)						1
29-6	0442006-13	Tire - Tail Wheel - (6 x 2 with Wire Bead)						1
	0442006-20	Wheel Assembly - Cast - (less Tire)						1
29-7	0442006-17	Hub - Kit						1
29-8	0442006-11	Bearing - 1/2" Roller - Wheel Assembly						1
29-9	0442006-10	Spacer - Hub Bearing Grease Retainer						2
29-10	0442006-9	Retainer - Hub Bearing Grease						1
29-11	AN501-1032	Screw - Fillister Head						1
29-12	AN365-1032	Nut - Self Locking						3
29-13	0442006-18	Hub Cap Assembly - (Includes 3 Screws and Felt Grease Seal)						3
29-14	AN320-8	Nut - Shear						1
29-15	AN960-816	Washer - Plain						1
29-16	AN380-3-3	Pin - Cotter						1
29-17	AN364-720	Nut - Self Locking						1
29-18	AN7-10A	Bolt - Aircraft						1
29-19	AN365-720	Nut - Self Locking						1
29-20	0442008	Spring and Connector Assembly - Tail Wheel						1
								2

ORDER BY PART NUMBER AND NAME

SERIAL NUMBER AND COLOR IF APPLICABLE

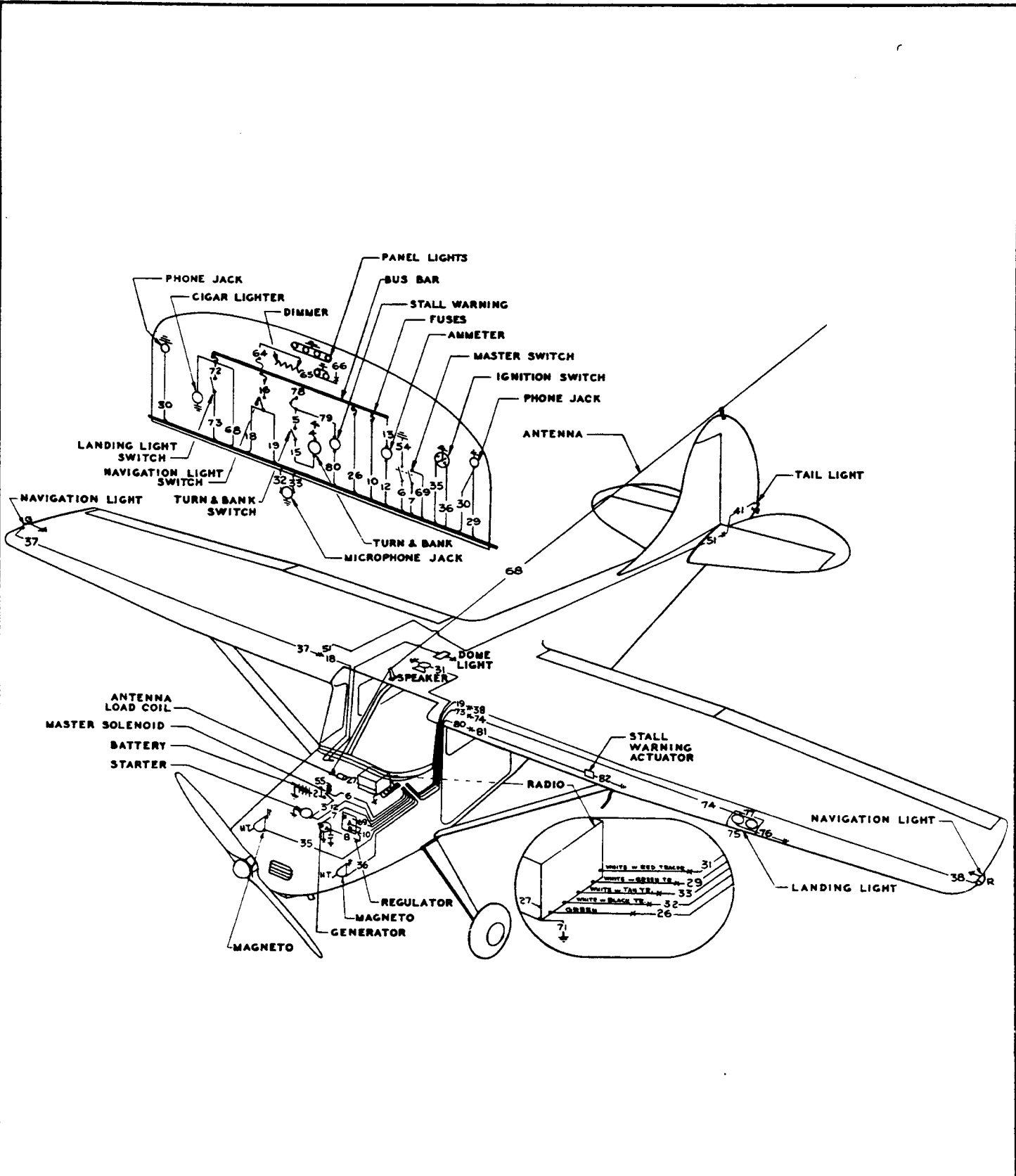


FIGURE 30 - ELECTRICAL WIRING DIAGRAM

ILLUSTRATED PARTS CATALOG

FIGURE 30

ELECTRICAL WIRING DIAGRAM

FIGURE AND REF. NO.	PART NUMBER	PART NAME						UNITS REQ'D ON MODEL
		1	2	3	4	5	6	
30-2	0500005-2	Wire Assembly - (Battery to Master Solenoid)						1
	AN659-11	Terminal						1
	AN659-12	Terminal						1
30-3	0500005-3	Wire Assembly - (Master Solenoid to Starter)						1
	AN659-11	Terminal						1
	AN659-12	Terminal						1
30-4	0500005-4	Wire Assembly - (Turn and Bank Indicator to Ground)						1
	A-36	Terminal - (Thomas & Betts)						1
	AN659-1	Terminal						1
30-5	0500005-5	Wire Assembly - (Circuit Breaker to Turn and Bank Switch)						1
	A-71	Terminal - (Thomas & Betts)						1
	AN659-1	Terminal						1
30-6	0500005-6	Wire Assembly - (Master Switch to Master Solenoid)						1
	AN659-1	Terminal						2
30-7	0500005-7	Wire Assembly - (Master Switch to Generator)						1
	A-71	Terminal - (Thomas & Betts)						1
	AN659-1	Terminal						1
30-8	0500005-8	Wire Assembly - (Generator to Voltage Control)						1
	AN659-4	Terminal						1
	B-71	Terminal - (Thomas & Betts)						1
30-10	0500005-10	Wire Assembly - (Fuse to Voltage Control)						1
	AN659-4	Terminal						1
30-12	0500005-12	Wire Assembly - (Starter to Ammeter)						1
	AN659-5	Terminal						1
	C-73	Terminal - (Thomas & Betts)						1
30-13	0500005-13	Wire Assembly - (Ammeter to Buss Bar)						1
	AN659-5	Terminal						1
30-15	0500005-15	Wire Assembly - (Turn and Bank to Switch)						1
	AN659-1	Terminal						2
30-16	0500005-16	Wire Assembly - (Navigation Light Switch to Fuse)						1
	AN659-1	Terminal						1
30-18	0500005-18	Wire Assembly - (Navigation Light Switch to Wing Root - Right)						1
30-19	0500005-19	Wire Assembly - (Navigation Light Switch to Wing Root - Left)						1
		NOTE: Wires -18 and -19 are Grouped at Switch with One AN659-4 and A-50 Terminal Assembly						
30-26	0500005-26	Wire - (Fuse to Radio)						1
30-27	0500005-27	Wire Assembly - (Radio to Antenna Load Coil)						1
	A-50	Terminal - (Thomas & Betts)						1
30-29	0500005-29	Wire - (Radio to Phone Jack)						1
30-30	0500005-30	Wire - (Phone Jack Inter Connection)						1
30-31	0500005-31	Wire - (Radio to Speaker)						1
30-32	0500005-32	Wire - (Radio to Microphone Jack)						1
30-33	0500005-33	Wire - (Radio to Microphone Jack)						1
30-34	0500005-34	Wire Assembly - (Cigar Lighter to Fuse)						1
	BB	Connector - (Thomas & Betts)						1
30-35	0500005-35	Wire Assembly - (Ignition Switch to Magneto - Right)						1
	AN659-1	Terminal						1
30-36	0500005-36	Wire Assembly - (Ignition Switch to Magneto - Left)						1
	AN659-1	Terminal						1
30-37	0500005-37	Wire Assembly - (Wing Root to Navigation Light - Right)						1
	A-50	Terminal - (Thomas & Betts)						1
30-38	0500005-38	Wire Assembly - (Wing Root to Navigation Light - Left)						1
	A-50	Terminal - (Thomas & Betts)						1
30-41	0500005-41	Wire Assembly - (Tail Light to Rudder)						1
	A-50	Terminal - (Thomas & Betts)						1
30-51	0500005-51	Wire Assembly - (Rudder to Wing Root)						1
	A-50	Terminal - (Thomas & Betts)						1
30-54	0500005-54	Wire Assembly - (Master Switch to Ground)						1
	AN659-1	Terminal						1
	A-36	Terminal - (Thomas & Betts)						1
30-55	0500005-55	Wire Assembly - (Master Solenoid Terminal Connection)						1
	A-71	Terminal - (Thomas & Betts)						1
	AN659-1	Terminal						1
30-64	0500005-64	Wire Assembly - (Fuse to Rheostat)						1
	A-36	Terminal - (Thomas & Betts)						1
30-65	0500005-65	Wire Assembly - (Rheostat to Panel Lights)						1
	A-50	Terminal - (Thomas & Betts)						1
30-66	0500005-66	Wire Assembly - (Panel Lights)						1
	A-50	Terminal - (Thomas & Betts)						1
30-68	0500005-68	Wire Assembly - (Fuse to Dome Light)						1
	AN659-3	Terminal						1
30-69	0500005-69	Wire Assembly - (Voltage Control to Master Switch)						1
	A-36	Terminal - (Thomas & Betts)						1
	AN659-1	Terminal						1
30-71	0500005-71	Wire Assembly - (Radio to Ground)						1

ORDER BY PART NUMBER AND NAME

SERIAL NUMBER AND COLOR IF APPLICABLE

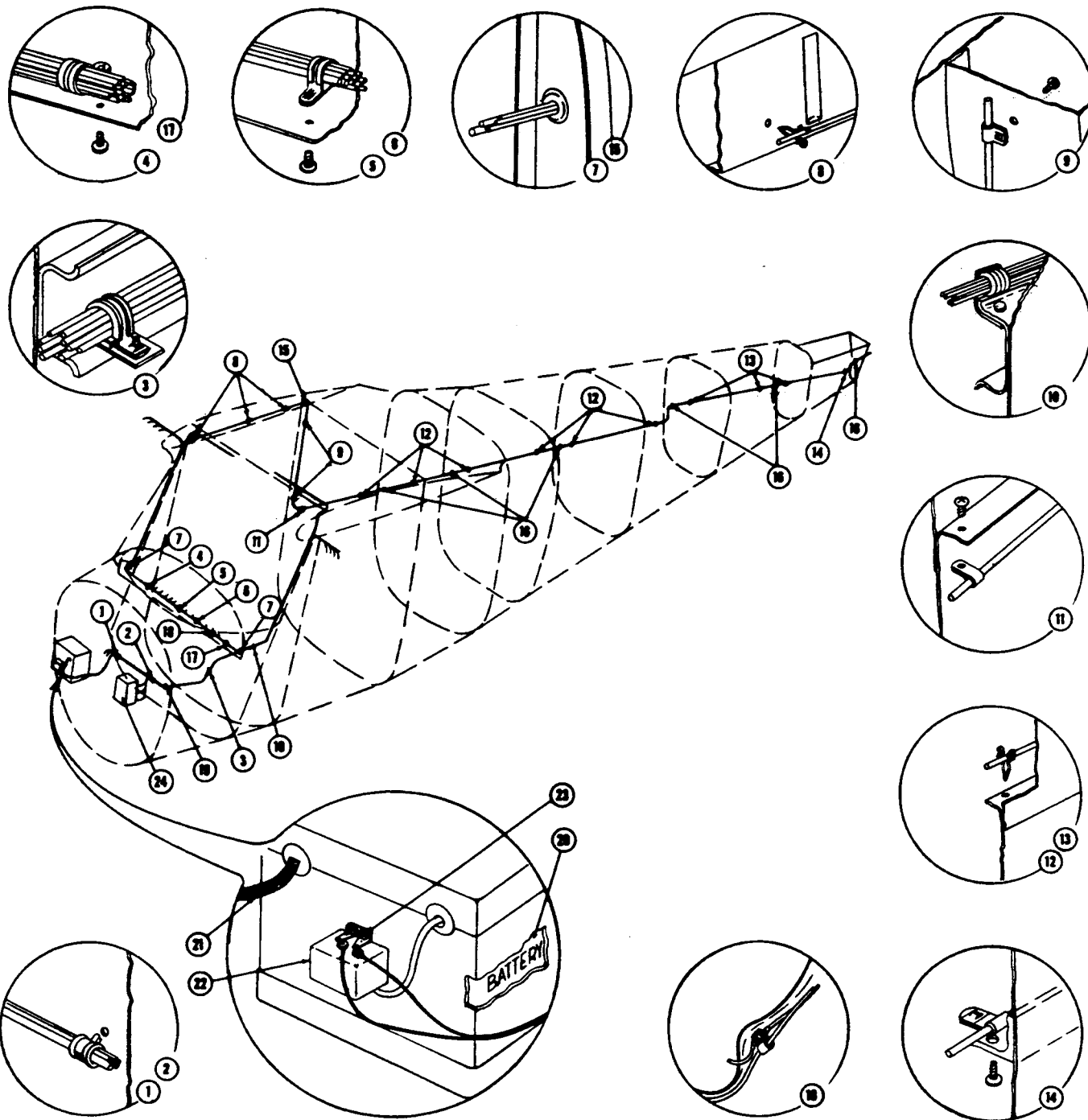


FIGURE 31 - WIRING INSTALLATION

ILLUSTRATED PARTS CATALOG

FIGURE 30

ELECTRICAL WIRING DIAGRAM (CONTINUED)

FIGURE AND REF. NO.	PART NUMBER	PART NAME						UNITS REQ'D ON MODEL
		1	2	3	4	5	6	
	C-77		Terminal -	(Thomas & Betts)				2
30-72	0500005-72		Wire Assembly -	(Fuse to Landing Light Switch)				1
	AN659-3		Terminal					1
30-73	0500005-73		Wire Assembly -	(Landing Light Switch to Wing Root)				1
	AN659-3		Terminal					1
	B-50		Terminal -	(Thomas & Betts)				1
30-74	0500005-74		Wire Assembly -	(Wing Root to Landing Lights)				1
	B-50		Terminal -	(Thomas & Betts)				1
	B-77		Terminal -	(Thomas & Betts)				1
30-75	0500005-75		Wire Assembly -	(Landing Light Inter Connection)				1
	B-77		Terminal -	(Thomas & Betts)				2
30-76	0500005-76		Wire Assembly -	(Landing Light to Ground)				1
	B-77		Terminal -	(Thomas & Betts)				1
	AN659-3		Terminal					1
30-77	0500005-77		Wire Assembly -	(Landing Light Inter Connection)				1
	B-77		Terminal -	(Thomas & Betts)				2
30-78	0500005-78		Wire Assembly -	(Buss Bar to Fuse)				1
	A-77		Terminal -	(Thomas & Betts)				1
30-79	0500005-79		Wire Assembly -	(Fuse to Stall Warning Indicator)				1
	AN659-1		Terminal					1
	A-36		Terminal -	(Thomas & Betts)				1
30-80	0500005-80		Wire Assembly -	(Stall Warning Indicator to Wing Root)				1
	A-50		Terminal -	(Thomas & Betts)				1
	AN659-1		Terminal					1
30-81	0500005-81		Wire Assembly -	(Wing Root to Stall Warning Actuator)				1
	A-50		Terminal -	(Thomas & Betts)				1
	AN659-1		Terminal					1
30-82	0500005-82		Wire Assembly -	(Stall Warning Actuator to Ground)				1
	AN659-3		Terminal					1

FIGURE 31

WIRING INSTALLATION - FUSELAGE

31-1	NAS437-2C	Harness Band -	(United Carr 49165)					1
31-2	NAS437-3C	Harness Band -	(United Carr 49166)					1
31-3	NAS435-D5	Clamp -	(Tinnerman A3047A-5)					1
	PK76XZ-8-6	Screw						1
31-4	NAS435-D5	Clamp -	(Tinnerman A3047A-5)					1
	PK76XZ-8-8	Screw						1
31-5	NAS435-D6	Clamp -	(Tinnerman A3047A-6)					1
	PK76XZ-8-8	Screw						1
31-6	NAS435-D8	Clamp -	(Tinnerman A3047A-8)					1
	PK76XZ-8-8	Screw						1
31-7	AN931-6-10	Grommet						2
31-8	A3493-1	Clip -	Tinnerman					3
31-9	NAS434-D2	Clamp -	(Tinnerman A2981A-2)					2
	PK76XZ-8-6	Screw						2
	T-118	Insulator -	(Thomas & Betts)					2
31-10	49164	Harness Band -	United Carr					2
	0311330	Bracket						2
31-11	NAS434-D2	Clamp -	(Tinnerman A2981A-2)					1
	PK76XZ-8-6	Screw						1
	T-118	Insulator -	(Thomas & Betts)					1
31-12	A3493-1	Clip -	Tinnerman					6
31-13	A3493-1	Clip -	Tinnerman					3
31-14	A2980A-2	Clamp -	Tinnerman					1
	PK76XZ-8-6	Screw						1
	T-118	Insulator -	(Thomas & Betts)					1
31-15	AN931-3-5	Grommet						1
31-16	AN931-3-5	Grommet						1
31-17	NAS435-D7	Clamp -	(Tinnerman A3047A-7)					1
	PK76XZ-8-8	Screw						1
31-18	A2980A-2	Clamp -	Tinnerman					1
31-19	See Figure 39	Grommet -	Firewall					1
31-20	0311033	Battery						1
31-21	0412007-1	Strap -	Ground					1
31-22	0411021-1	Contact						1
31-23	AN3-3A	Bolt						4
	AN365-1032	Nut						4
31-24	0413205	Voltage Regulator						1
	AN4-6A	Bolt -	(Attach Voltage Regulator)					3
	AN365-428	Nut -	(Attach Voltage Regulator)					3

ORDER BY PART NUMBER AND NAME

SERIAL NUMBER AND COLOR IF APPLICABLE

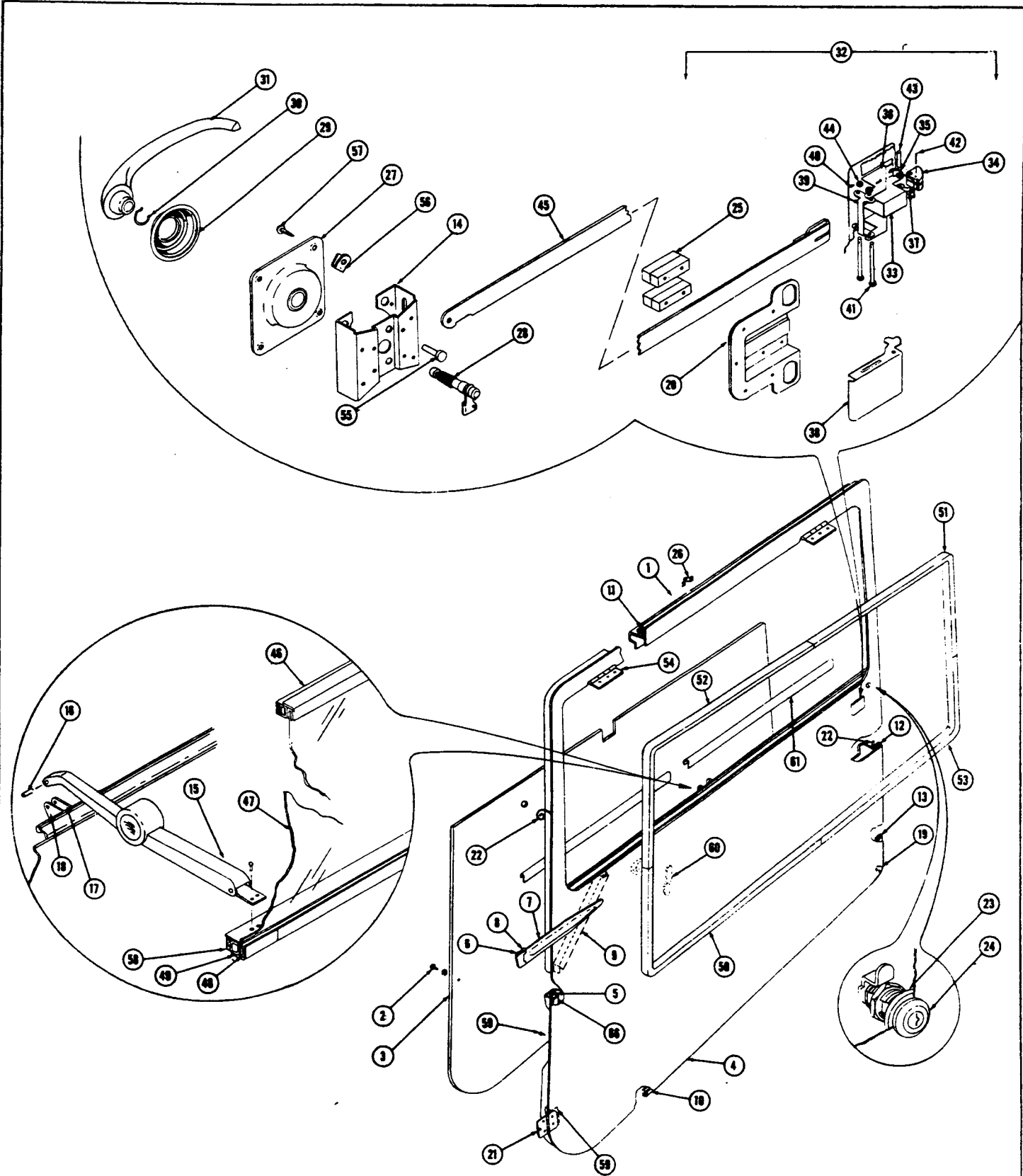


FIG.32-DOOR ASSEMBLY - COMPLETE - LEFT

ILLUSTRATED PARTS CATALOG

FIGURE 32

CABIN DOOR ASSEMBLY - LEFT

FIGURE AND REF. NO.	PART NUMBER	PART NAME						UNITS REQ'D ON MODEL
		1	2	3	4	5	6	
32-1	0511106-56	Cabin Door Assembly - Left (Serials 18729 To 19200)						1
	0511106-90	Cabin Door Assembly - Left (Serials 19200 and on)						1
32-2	NAS385-4-6	Screw - Attach Upholstery Panel (PK88XA-4-6)						20
	NAS390-4P	Washer - (AU-VE-CO 600)						20
32-3	0511106-44	Panel Assembly - Upholstery - Left						1
32-4	0511106-60	Structure Assembly - Door - Left (Serials 18729 To 19200)						1
	0511106-98	Structure Assembly - Door - Left (Serials 19200 and on)						1
32-5	0511106-89	Retainer - Weather Strip - Door - Front						1
	0511106-106	Hinge Assembly - Door - Upper Left						1
32-6	0511106-14	Hinge - Half - Left Forward						1
32-7	0511106-18	Hinge Assembly - Half - Left Aft						1
32-8	NAS41-2-1.625	Pin - Hinge - Upper - Door						1
32-9	0511106-22	Bracket - Hinge - Left						1
32-10	0511106-92	Retainer - Weather Strip - Bottom - Door						1
32-11	0511106-94	Retainer - Weather Strip - Top - Door						1
32-12	0511106-95	Retainer - Weather Strip - Upper Rear - Door						1
32-13	0511106-93	Retainer - Weather Strip - Lower Rear - Door						1
32-14	0511106-30	Bracket - Inner Door Handle						1
32-15	0413362-2	Latch Assembly - Window						1
32-16	0413148	Rivet						1
32-17	0413366	Bracket - Left						1
32-18	0413366-1	Bracket - Right						1
32-19	0511106-96	Clip - Weather Strip Attaching						18
32-20	0411576	Pan - Door Latch Handle						1
32-21	0411579-4	Hinge - Door - Lower						1
32-22	0511106-88	Strip - Weather - Door						1
32-23	0411851	Washer - Door Lock						1
32-24	0411821-3	Lock Assembly - Door						1
32-25	0411886	Spacer - Door Latch Pan						4
32-26	A1663-017-1	Latch - Tinnerman						1
32-27	0413195-3	Plate Assembly - Door Handle Bearing						1
32-28	0511227	Shaft - Door Handle - Left						1
32-29	0511181	Escutcheon - Door Handle						1
32-30	0511182	Clip - Door Handle Retaining						1
32-31	0511183	Handle - Inside Door						1
32-32	0511112-6	Latch Assembly - Door						1
32-33	0511112-2	Housing Assembly - Door Latch						1
32-34	0411552	Catch - Door Latch						1
32-35	0411554	Spring - Door Latch						1
32-36	0511112-5	Bracket Assembly - Door Latch Attachment						1
32-37	0411555	Pull Bar - Door Latch						1
32-38	0411557	Handle - Door Latch						1
32-39	0411559	Spacer - Door Latch						1
32-40	AN380-2-2	Pin - Cotter						2
32-41	AN392-53	Pin						2
32-42	NAS41-2-.500	Shaft						1
32-43	NAS41-3-1	Shaft						1
32-44	AN960-4	Washer						3
32-45	0411575-3	Strap - Door Latch Actuating						1
	NAS455-163-4-2	Rivet - Blind (Attach Latch Assembly To Door)						8
32-46	0511106-50	Window Assembly - Left						1
32-47	0511106-104	Glass Assembly - Window						1
32-48	0511106-103	Seal - Window						1
32-49	0511106-53	Frame Assembly - Window - Left						1
32-50	0511106-10	Angle - Window Frame - Lower Forward - Left						1
32-51	0511106-34	Angle - Window Frame - Upper Rear - Left						1
32-52	0511106-31	Angle - Window Frame - Upper Forward - Left						1
32-53	0511106-33	Angle - Window Frame - Lower Rear - Left						1
32-54	0411185	Hinge - Window						2
	NAS455-163-4-4	Rivet - Blind (Attach Hinges And Angles To Window Frame)						25
32-55	AN394-27	Pin - Clevis						1
32-56	NAS396-1A3	Nut - (Tinnerman A1932-6Z-3)						4
32-57	PK79XZ-6-6	Screw						4
32-58	0511106-105	Seal - Window						1
32-59	0511106-36	Reinforcement - Lower Door Hinge						1
32-60	0511106-37	Clip - Upholstery Panel - Door						2
32-61	0511106-38	Retainer - Upholstery Panel - Door						2

ORDER BY PART NUMBER AND NAME

SERIAL NUMBER AND COLOR IF APPLICABLE

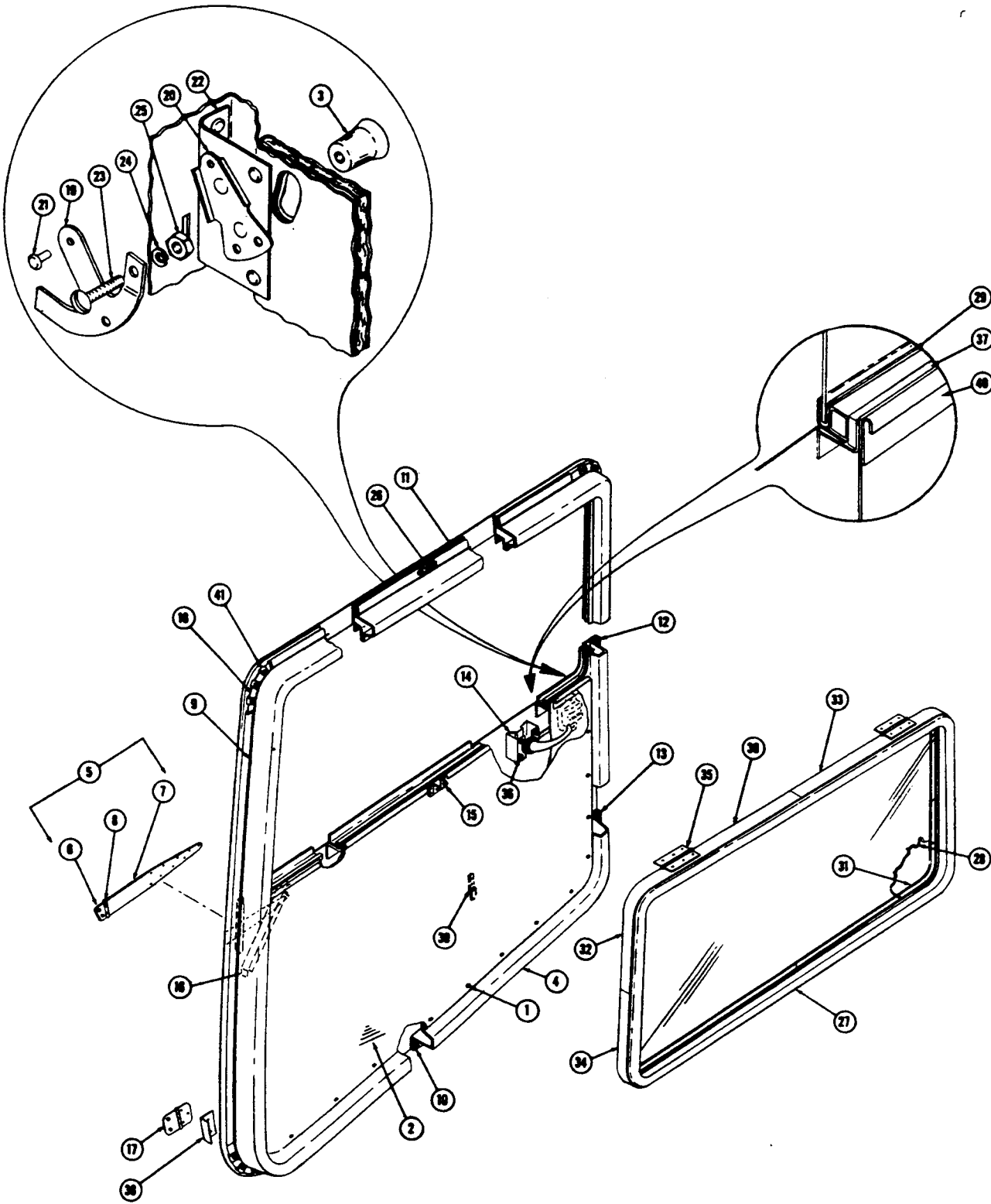


FIGURE 33 - DOOR ASSEMBLY - COMPLETE - RIGHT

ILLUSTRATED PARTS CATALOG

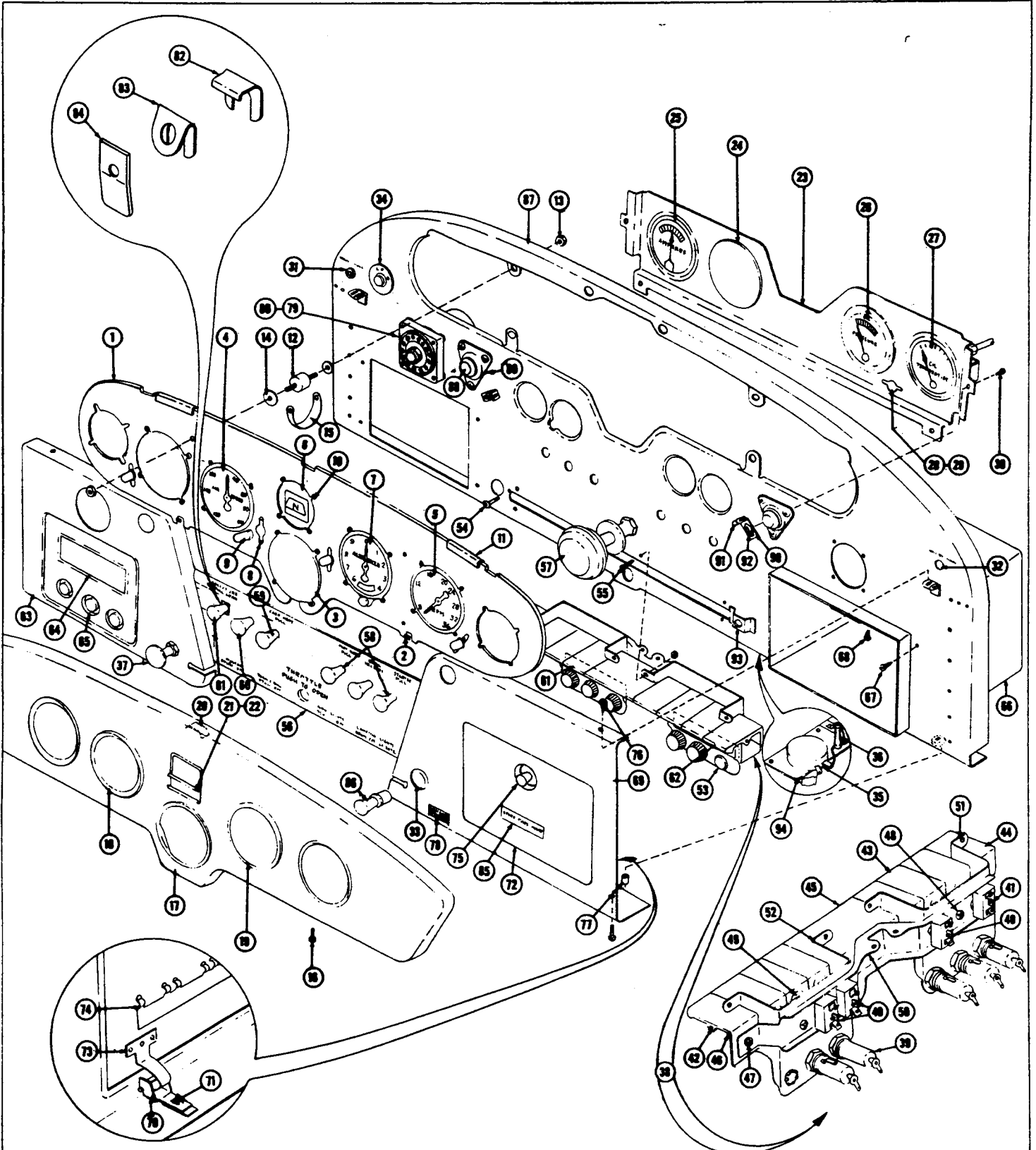
FIGURE 33

CABIN DOOR ASSEMBLY - RIGHT

FIGURE AND REF. NO.	PART NUMBER	PART NAME						UNITS REQ'D ON MODEL
		1	2	3	4	5	6	
	0511106-55	Door Assembly - Complete - Right (Serials 18729 To 19200)						1
	0511106-91	Door Assembly - Complete - Right (Serials 19200 and on)						1
33-1	NAS385-4-6	Screw - (Attach Upholstery Panel) (FK88CA-4-6)						20
	NAS390-4P	Washer - (AU-VE-CO 600)						20
33-2	0511106-45	Panel Assembly - Upholstery (Serials 18729 To 19200)						1
	0511106-101	Panel Assembly - Upholstery (Serials 19200 and on)						1
33-3	0411092	Knob - Thumb Latch						1
33-4	0511106-61	Structure Assembly - Door (Serials 18729 To 19200)						1
	0511106-97	Structure Assembly - Door (Serials 19200 and on)						1
33-5	0511106-107	Hinge Assembly - Door - Upper Right						1
33-6	0511106-15	Hinge - Half - Right Forward						1
33-7	0511106-19	Hinge - Half - Right Aft						1
33-8	NAS41-2-1.625	Pin - Hinge - Upper - Door						1
33-9	0511106-89	Retainer - Weather Strip - Front - Door						1
33-10	0511106-92	Retainer - Weather Strip - Bottom - Door						1
33-11	0511106-94	Retainer - Weather Strip - Top - Door						1
33-12	0511106-95	Retainer - Weather Strip - Upper Rear - Door						1
33-13	0511106-93	Retainer - Weather Strip - Lower Rear - Door						1
33-14	0511106-30	Bracket - Inner Door Handle						1
33-15	0413362-2	Latch Assembly - Window (See Figure 32)						1
	0411576	Pan - (See Figure 32)						1
33-16	0511106-23	Bracket - Hinge - Right						4
33-17	0411579-4	Hinge - Door - Lower						1
33-18	0511106-88	Strip - Weather - Door						1
	0411851	Washer - Door Lock (Serials 18729 To 19200) (See Figure 32)						1
	0411821-3	Lock Assembly - Door (Serials 18729 To 19200) (See Figure 32)						1
33-19	0413133-3	Bolt - Thumb Latch (Serials 19200 and on)						1
33-20	0413134	Stop - Thumb Latch Bolt (Serials 19200 and on)						1
33-21	AN450C8-B8	Rivet - (Attach Bolt) (Serials 19200 and on)						1
33-22	0511106-100	Bracket - (Serials 19200 and on)						1
33-23	AN526-832R12	Screw - (Serials 19200 and on)						1
33-24	AN935-8L	Washer - (Serials 19200 and on)						1
33-25	AN340-8	Nut - (Serials 19200 and on)						1
	0411886	Spacer - Door Latch Pan (See Figure 32)						4
33-26	A1663-017-1	Latch - Tinnerman						1
	0413195-3	Plate Assembly - Door Handle Bearing (See Figure 32)						1
	0511227-1	Shaft - Door Handle Right (See Figure 32)						1
	0511181	Escutcheon - Door Handle (See Figure 32)						1
	0511182	Clip - Door Handle Retaining (See Figure 32)						1
	0511183	Handle - Inside Door (See Figure 32)						1
	0511112-6	Latch Assembly - Door (See Figure 32)						1
33-27	0511106-51	Window Assembly - Door						1
33-28	0511106-104	Glass Assembly - Window						1
33-29	0511106-103	Seal - Window						1
33-30	0511106-54	Frame Assembly - Window - Right						1
33-31	0511106-11	Angle - Window Frame - Lower Forward - Right						1
33-32	0511106-25	Angle - Window Frame - Upper Rear - Right						1
33-33	0511106-32	Angle - Window Frame - Upper Forward - Right						1
33-34	0511106-34	Angle - Window Frame - Lower Rear - Right						1
33-35	0411185	Hinge - Window						2
	AN394-27	Pin - Clevis						1
33-36	NAS396-1A3	Nut - (Tinnerman A1932-62-3)						4
	PK79XZ-6-6	Screw						4
33-37	0511106-105	Seal - Window						1
33-38	0511106-36	Reinforcement - Door Hinge						1
33-39	0511106-37	Clip - Upholstery Panel - Door						2
33-40	0511106-38	Retainer - Upholstery Panel - Door						2
33-41	0511106-48	Clip - Weather Strip Attaching						18

ORDER BY PART NUMBER AND NAME

SERIAL NUMBER AND COLOR IF APPLICABLE



SERIALS 18729 TO 19365

FIGURE 34 - INSTRUMENT PANEL EQUIPMENT

ILLUSTRATED PARTS CATALOG

FIGURE 34

EQUIPMENT - INSTRUMENT PANEL (SERIALS 18729 TO 19365)

FIGURE AND REF. NO.	PART NUMBER	PART NAME						UNITS REQ'D ON MODEL
		1	2	3	4	5	6	
	0413116-7	Equipment Installation - Instrument Panel (Reference Only) (Ser. 18729 to 19365)						
	0412497-5	Panel Assembly - Shock Mounted Instrument						1
34-1	0412484	Panel - Shock Mounted Instrument						1
34-2	0411896	Bracket - Shock Panel Cover Attachment						2
	NAS395-3-3	Nut - (Tinnerman A6052-6Z-3)						2
34-3	0411897	Cover - Optional Instrument Opening						2
34-4	0411086-4	Indicator - Airspeed - (Special Dial)						1
34-5	0411087-3	Tachometer - (Special Dial)						1
34-6	0411008-1	Compass						1
34-7	0411084-1	Altimeter - (Special Dial)						1
34-8	0411035-1	Light Socket - Instrument Panel						4
34-9	0511060	Bulb - General Electric - (3 1/4 Miniature Bayonet - 13 Volt)						4
34-10	AN515-B6R	Screw - (Attach Instruments)						24
	AN365-B632	Nut - (Attach Instruments)						24
34-11	0413116-10	Damper - Vibration						1
34-12	0511059-1	Mount - Instrument Panel Shock						6
34-13	AN340-B8	Nut						12
34-14	AN936-A8	Washer - Lock						12
34-15	0413247	Strap - Ground						1
34-16	PK76XZ-6-8	Screw - (Attach Shock Panel Cover)						2
34-17	0412489-6	Cover Assembly - Shock Panel						1
34-18	0412487-3	Bezel - Instrument						4
34-19	0412487-4	Bezel - Instrument						1
34-20	0412486	Clip - Shock Panel Cover Attachment						3
34-21	0513012	Card - Compass						1
34-22	0513020	Retainer - Compass Card						1
	0413118-3	Sub Panel Assembly - Stationary Instrument - (Reference Only)						
34-23	0412491	Panel - Stationary Instrument						1
34-24	0413206	Plate - Clock Opening Cover						1
	AN515-6R8	Screw - (Attach Clock Opening Cover Plate)						2
	AN365-632	Nut - (Attach Clock Opening Cover Plate)						2
34-25	0411020-1	Ammeter						1
34-26	0411016-2	Gage - Oil Pressure						1
34-27	0411017-3	Gage - Oil Temperature						1
34-28	0411035-1	Light Socket - Instrument Panel						2
	0511060	Bulb - General Electric - (3 1/4 Miniature Bayonet - 13 Volt)						2
34-29	0413320	Spacer - Instrument						1
34-30	PK76XZ-8-8	Screw - (Attach Sub Panel)						2
34-31	0411038	Jack - Headphone						1
	0413166-3	Decal - Headphone						1
34-32	NAS451-6	Plug - (Headphone Jack Cutout) (United Carr 48192)						1
	0413166-3	Decal - Headphone						1
34-33	NAS451-56	Plug - (Cigar Lighter Cutout) (United Carr 48155) (Optional)						1
34-34	0311038-2	Switch - Ignition						1
	0413355	Switch Plate						1
34-35	0413126	Rheostat Assembly - Panel Light - (With Knob)						1
34-36	0413145	Resistor - 10 Ohm						1
	AN526-632R36	Screw - (Attach Resistor)						1
	AN365-632	Nut - (Attach Resistor)						1
34-37	0413215	Primer - Engine						1
	AN6227-7	"O" Ring - (Packing for Primer)						1
34-38	0412477-4	Panel Assembly - Switch and Fuse						1
34-39	0411023	Retainer - Fuse						5
34-40	AN3021-1	Switch						3
34-41	AN3027-2	Switch						1
	0411889	Clip - Switch Limit						4
34-42	0412472	Pin - Switch Handle Hinge						1
	AN960-6	Washer - (Space Switch Handle on Pin)						12
34-43	0412473	Handle - Switch						6
34-44	0412474	Plate - Switch Panel Fairing - Left						1
34-45	0413143	Plate - Switch Panel Fairing - Center						1
34-46	0412474-1	Plate - Switch Panel Fairing - Right						1
34-47	AN526-1032R8	Screw - (Attach Switch Panel Fairing Plates)						3
	AN365-1032	Nut - (Attach Switch Panel Fairing Plates)						3
	AN960-10	Washer - (Attach Switch Panel Fairing Plates)						3
34-48	AN526-428R12	Screw - (Brace Switch Handles Where Switches Are Not Used)						2
	AN365-428	Nut - (Brace Switch Handles Where Switches Are Not Used)						2
	AN960-516L	Washer - (Brace Switch Handles Where Switches Are Not Used)						2
34-49	AN931-4-7	Grommet - (Switch Handles)						6
34-50	0413240	Bracket - Switch Bar						1
34-51	0412475	Bracket - Switch Mounting - Left						1
34-52	0412475-1	Bracket - Switch Mounting - Right						1
34-53	48172	Button - United Carr						1
34-54	AN515-8R12	Screw - (Attach Switch Panel)						2
34-55	AN407-8R8	Screw - (Attach Switch Panel)						2

ORDER BY PART NUMBER AND NAME

SERIAL NUMBER AND COLOR IF APPLICABLE



ILLUSTRATED PARTS CATALOG

FIGURE 34 EQUIPMENT - INSTRUMENT PANEL (SERIALS 18729 TO 19365) (CONTINUED)

FIGURE AND REF. NO.	PART NUMBER	PART NAME						UNITS REQ'D ON MODEL	
		1	2	3	4	5	6		
	AN515-8R8							Screw - (Attach Switch Panel)	4
	AN365-832							Nut - (Attach Switch Panel)	8
34-56	0413316-4							Plate - Panel Plexiglass Decoration	1
34-57	0411091-2							Control - Throttle	1
	AN960-A816L							Washer - (Front of Panel)	1
	0413150							Spacer - Throttle Mounting - (Back of Panel)	1
34-58	0411090-1							Control - Starter and Parking Brake	2
34-59	0411090-4							Control - Carburetor Heat	1
34-60	0411089							Knob - Push-Pull Control - (Where Control Not Used)	1
	AN526-10R14							Screw - Knob Attachment	3
34-61	0413226-4							Decal - Fuse - (Generator, Radio, and Navigation Lights)	1
34-62	0413226-7							Decal - Fuse - (Dome, Panel, Heater, Landing Light, and Lighter)	1
34-63	0513112							Cover - Instrument Panel - Left - (With Radio Lettering)	1
34-64	0413132							Cover - Radio Dial Cutout	1
34-65	NAS451-11							Plug - (Radio Knob Cutout) (United Carr 51051)	3
34-66	0412499							Box Assembly - Glove Compartment	1
34-67	PK76XZ-8-8							Screw - (Attach Glove Compartment Box)	4
34-68	PK76XZ-8-6							Screw - (Attach Glove Compartment Box)	2
	NAS446-4							Nut - (Attach Glove Compartment Box) (Tinnerman A1778-8Z-3)	2
34-69	0513114							Cover Assembly - Instrument Panel - Right	1
	0513115							Latch - Glove Compartment Door	1
34-70	0413109							Hinge - Glove Compartment Door	2
	NAS446-4							Nut - (Attach Lower Hinge) (Tinnerman A1778-8Z-3)	2
34-71	PK76XZ-8-6							Screw - (Attach Door Lower Hinge)	2
34-72	0413114							Door Assembly - Glove Compartment	1
34-73	0413208							Hinge Assembly - Glove Compartment Door	2
	0413209							Pin - Hinge	1
34-74	0411099							Retainer - Spare Fuse	1
34-75	0411092							Knob - Full	1
	AN526-632R5							Screw - (Attach Door Knob)	1
	AN936-A6							Washer - (Attach Door Knob)	1
	0413272							Catch - Glove Compartment Door	1
34-76	PK76XZ-4-8							Screw - (Attach Panel Cover)	4
34-77	0413117							Spacer - Instrument Panel Cover	4
	PK76XZ-8-10							Screw - (Attach Bottom of Panel Cover)	4
	NAS395-18-3							Nut - (Attach Bottom of Panel Cover) (Tinnerman A1787-8Z-3)	4
34-78	0513021							Decal - Panel Night Switch	1
34-79	0511062-2							Indicator - Stall Warning	1
	0511062-3							Lamp	1
34-80	AN526-632R9							Screw - (Attach Stall Warning Indicator)	1
34-81	0411090-4							Control - Mixture	1
34-82	0413336							Bracket	1
34-83	0413337							Clip	1
34-84	0413335							Arm	1
34-85	0411749-5							Decal - Spare Fuse Inside	1
34-86	0411094-1							Lighter - Cigar	1
								NOTE: The Stationary Instrument Panel Is Actually A Part Of The Fuselage Front Section - This Is A List Of The Parts Contained In Item 47 Of Figure 19.	
	0513111							Panel Assembly - Stationary Instrument	1
34-87	0513110							Panel - Stationary Instrument	1
34-88	0411224							Ball - Control Tube Instrument Panel Guide	2
34-89	0411225							Socket - Instrument Panel Control Tube	4
	AN526-632R8							Screw - (Attach Socket to Panel)	6
	AN365-632							Nut - (Attach Socket to Panel)	6
34-90	0413151							Bracket - Panel Shield Mounting	4
34-91	A6187-8Z-3							Nut - Tinnerman	4
34-92	NAS444-4							Nut - (Tinnerman A6191-8Z-3)	2
34-93	0413128							Bracket - Cigar Lighter	1
34-94	0413131							Bracket - Panel Light Dimming Switch	1

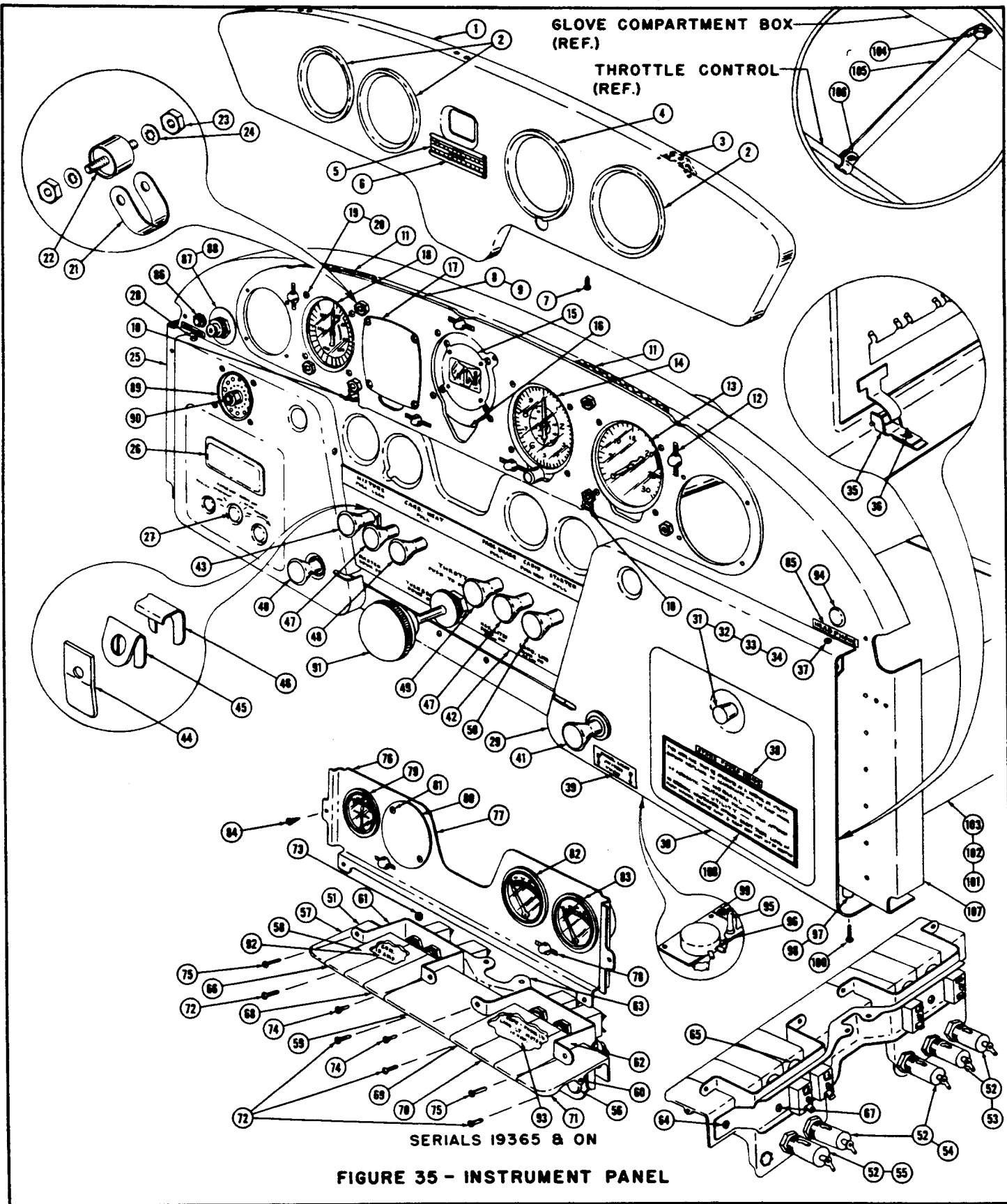
FIGURE 35 EQUIPMENT - INSTRUMENT PANEL (SERIALS 19365 AND ON)

35-1	0413116-52	Equipment Installation - Instrument Panel (Ser. 19365 and on) (Reference Only)	1
35-2	0412489-8	Cover Assembly - Shock Panel	1
35-3	0412487-3	Bezel	3
35-4	0412486	Clip	3
35-5	0412487-4	Bezel	1
35-6	0513012	Card - Compass	1
35-7	0513020	Retainer - Compass Card	1
35-8	PK76XZ-6-8	Screw - (Attach Shock Panel Cover)	2
35-9	0412514-1	Panel Assembly - Shock Mounted Instrument (Reference Only)	1
	0513025	Sub Assembly - Shock Panel	1

ORDER BY PART NUMBER AND NAME

SERIAL NUMBER AND COLOR IF APPLICABLE

ILLUSTRATED PARTS CATALOG





ILLUSTRATED PARTS CATALOG

FIGURE 35 EQUIPMENT - INSTRUMENT PANEL (SERIALS 19365 AND ON) (CONTINUED)

FIGURE AND REF. NO.	PART NUMBER	PART NAME						UNITS REQ'D ON MODEL
		1	2	3	4	5	6	
35-10	0411896						Bracket	2
	NAS395-3-3						Nut - (Tinnerman A6052-6Z-3)	2
35-11	0513025-10						Damper	2
35-12	0411035-1						Socket - Instrument Light	5
	0511060						Bulb - Instrument Light	5
35-13	0411087-3						Tachometer	1
35-14	0411084-1						Altimeter	1
35-15	0411008-1						Compass	1
35-16	0411897-3						Plate + Adapter	1
35-17	0411897						Cover + Instrument Opening	1
35-18	0411086-4						Airspeed Indicator	1
35-19	AN515B6R						Screw - (Mount Instruments)	1
35-20	AN365-532						Nut - (Mount Instruments)	23
35-21	0413247						Strap - Shock Panel Ground	23
35-22	0411059-1						Mount - Instrument Panel Shock	1
35-23	AN340B8						Nut	6
35-24	AN936A8						Washer	12
35-25	0513112						Cover - Instrument Panel - Left - (With Radio Lettering)	12
35-26	0413132						Cover - Radio Cutout	1
35-27	NAS451-11						Button - Plug (United Carr 5151)	1
35-28	PK76XZ-4-8						Screw - (Attach Cover)	3
35-29	0513114						Cover Assembly - Instrument Panel - Right	4
35-30	0413114						Door Assembly - Glove Compartment	1
35-31	0411092						Knob - Pull	1
35-32	0413272						Catch + Glove Compartment Door	1
35-33	AN526-832R5						Screw - (Attach Knob)	1
35-34	AN936-A8						Washer - (Attach Knob)	1
35-35	0413109						Hinge - Glove Compartment Door	1
35-36	PK76XZ-8-6						Screw - (Attach Hinge)	2
	NAS446-4						Nut - (Attach Hinge) (Tinnerman A1778-8Z-3)	2
35-37	PK76XZ-4-8						Screw - (Attach Cover Assembly)	2
35-38	0411749-5						Decal - Spare Fuse Inside	4
35-39	0513021						Decal - Panel Light Switch	1
35-40	0413215						Primer	1
	AN6227-7						"O" Ring	1
35-41	0411094-1						Lighter	1
35-42	0413316-4						Plate - Panel Flexiglass Decoration	1
35-43	0411090-4						Control - Mixture	1
35-44	0413335						Arm	1
35-45	0413337						Clip	1
35-46	0413336						Bracket	1
35-47	0411089						Knob - Push-Pull Control (Optional Control Provision)	1
	AN526-10R14						Screw - (Attach Knob)	2
35-48	0411090-4						Control - Carburetor Heat	2
35-49	0411090-1						Control - Parking Brake	1
35-50	0411090-1						Control - Starter	1
35-51	0412477-4						Panel Assembly - Switch and Fuse	1
35-52	0411023-1						Retainer - Fuse	1
35-53	0411023-3						Fuse - (15 Amp)	5
35-54	0411023-2						Fuse - (10 Amp)	2
35-55	0411023-4						Fuse - (25 Amp)	2
35-56	48172						Button - Plug (United Carr)	1
35-57	0412474						Fairing - End - Left	1
35-58	0412473						Handle - Switch	1
	AN960-6						Washer - (Switch Handle Spacer)	6
35-59	0413143						Fairing - Center	12
35-60	0412472						Pin - Hinge	1
35-61	0412475						Bracket - Switch Mounting - Left	1
35-62	0412475-1						Bracket - Switch Mounting - Right	1
35-63	0413240						Bracket - Switch Bar	1
35-64	AN526-1032R8						Screw - (Attach End and Center Fairings)	1
	AN960-10						Washer	3
	AN365-1032						Nut	3
35-65	AN931-4-7						Grommet	3
35-66	AN3027-1						Switch - Master	6
	0411889						Clip - Switch Limit	1
35-67	AN526-428R12						Screw - (Anchor Handles)	1
	AN960-516L						Washer	2
	AN365-428						Nut	2
35-68	AN3021-1						Switch - Turn and Bank	2
	0411889						Clip - Switch Limit	1
35-69	AN3021-1						Switch - Navigation Lights	1
	0411889						Clip - Switch Limit	1
35-70	AN3021-1						Switch - Landing Light	1
	0411889						Clip - Switch Limit	1

ORDER BY PART NUMBER AND NAME

SERIAL NUMBER AND COLOR IF APPLICABLE

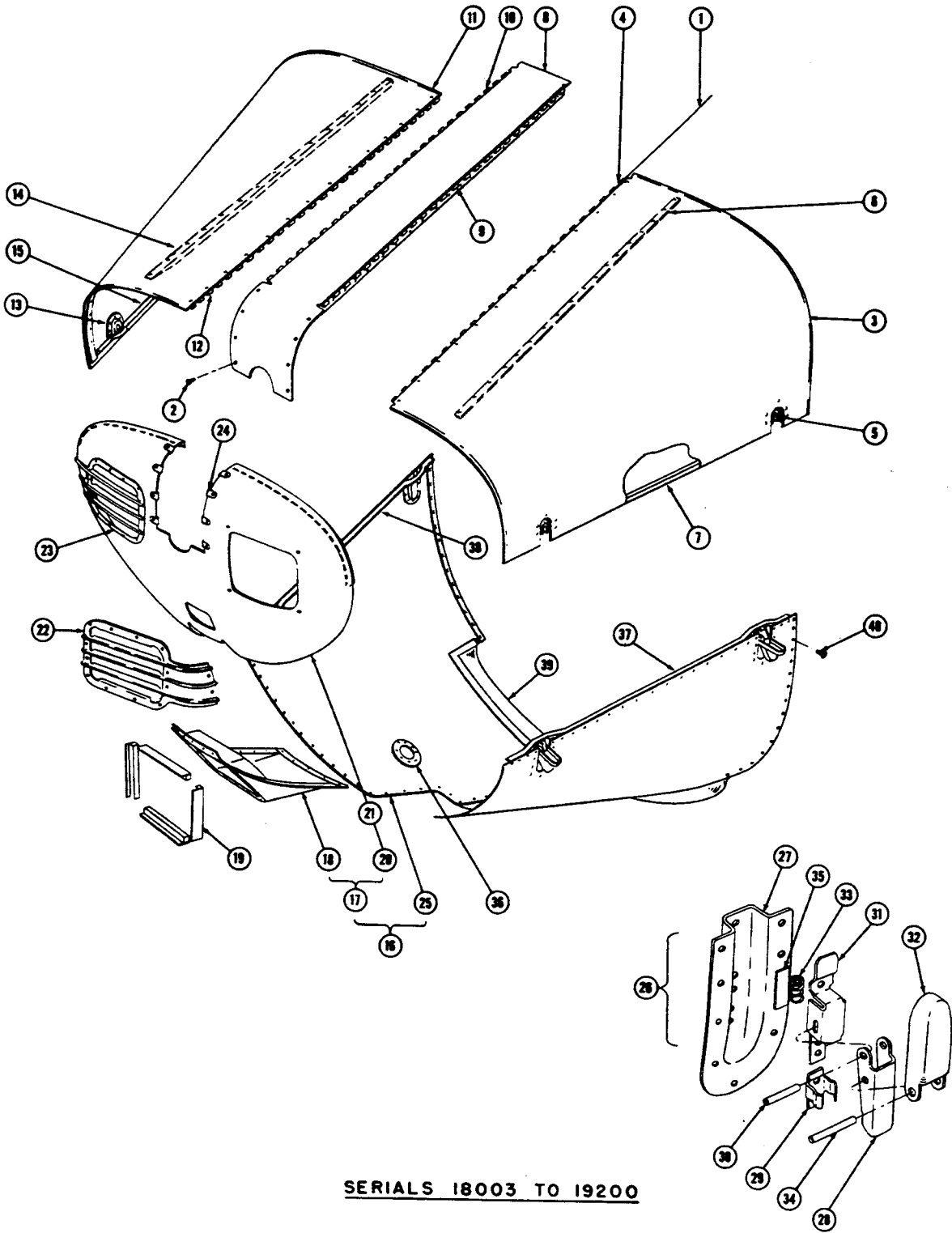
ILLUSTRATED PARTS CATALOG

FIGURE 35 EQUIPMENT - INSTRUMENT PANEL (SERIALS 19365 AND ON) (CONTINUED)

FIGURE AND REF. NO.	PART NUMBER	PART NAME						UNITS REQ'D ON MODEL
		1	2	3	4	5	6	
35-71	0412474 - 1	Fairing - End - Right						1
35-72	AN515-8R8	Screw - (Attach Switch and Fuse Panel)						4
35-73	AN365-832	Nut						4
35-74	AN507-832R8	Screw - (Attach Switch and Fuse Panel)						2
	AN365-832	Nut						2
35-75	AN515-8R12	Screw - (Attach Switch and Fuse Panel)						2
	AN365-832	Nut						2
35-76	0413118-3	Sub. Panel Assembly - Stationary Instrument (Reference Only)						1
35-77	0412491	Panel - Instrument Sub						1
35-78	0411035-1	Light Socket - Instrument Panel						2
	0413320	Spacer						2
	0511060	Bulb - Instrument Light						2
35-79	0411020-1	Ammeter						1
35-80	0413206	Cover - Instrument Opening						1
35-81	AN515-6R8	Screw - (Attach Cover)						2
	AN365-632	Nut						2
35-82	0411016-2	Gage - Oil Pressure						1
35-83	0411017-3	Gage - Oil Temperature						1
35-84	PK76XZ-8-8	Screw - (Attach Sub Panel)						2
35-85	0413166-3	Decal - Headphone						2
35-86	0411038	Jack - Headphone						1
35-87	0311038-2	Switch - Ignition						1
35-88	0413355	Plate - Switch						1
35-89	0511062-2	Warning Unit - Stall						1
35-90	0511062-3	Lamp						1
	AN526-632R9	Screw - (Attach Warning Unit)						4
35-91	0411091-2	Control - Throttle						1
	AN960A816L	Washer - (Front Side of Panel)						1
	0413150	Spacer - (Back Side of Panel)						1
35-92	0413226-4	Decal - Fuse Panel						1
35-93	0413226-7	Decal - Fuse Panel						1
35-94	NAS451-6	Button - Plug (United Carr 48192)						1
35-95	0413145	Resistor - Power (10 Ohm)						1
	AN526-632R36	Screw - (Attach Resistor)						1
35-96	0413126	Rheostat Assembly - (With Knob)						1
35-97	0413117	Spacer						4
35-98	NAS395-18-3	Nut - (Tinnerman A1787-8Z-3)						3
35-99	NAS446-4	Nut - (Tinnerman A1778-8Z-3)						1
35-100	PK76XZ-8-10	Screw						4
35-101	PK76XZ-8-8	Screw						4
35-102	PK76XZ-8-6	Screw						2
	NAS446-4	Nut - (Tinnerman A1778-8Z-3)						2
35-103	0412499	Box Assembly - Glove Compartment						1
35-104	AN3-3A	Bolt						1
	AN365-1032	Nut						1
35-105	0413116-5	Bracket						1
35-106	NAS435-D4	Clamp - (Secure Throttle Control) (Tinnerman A3047A-4)						1
	PK76XZ-8-6	Screw						1
35-107	0513111	Panel Assembly - Stationary Instrument						Ref.
35-108	0513028	Decal - Operation Limitations						1

ORDER BY PART NUMBER AND NAME

SERIAL NUMBER AND COLOR IF APPLICABLE



SERIALS 18003 TO 19200

FIGURE 36 - ENGINE COWL ASSEMBLY

ILLUSTRATED PARTS CATALOG

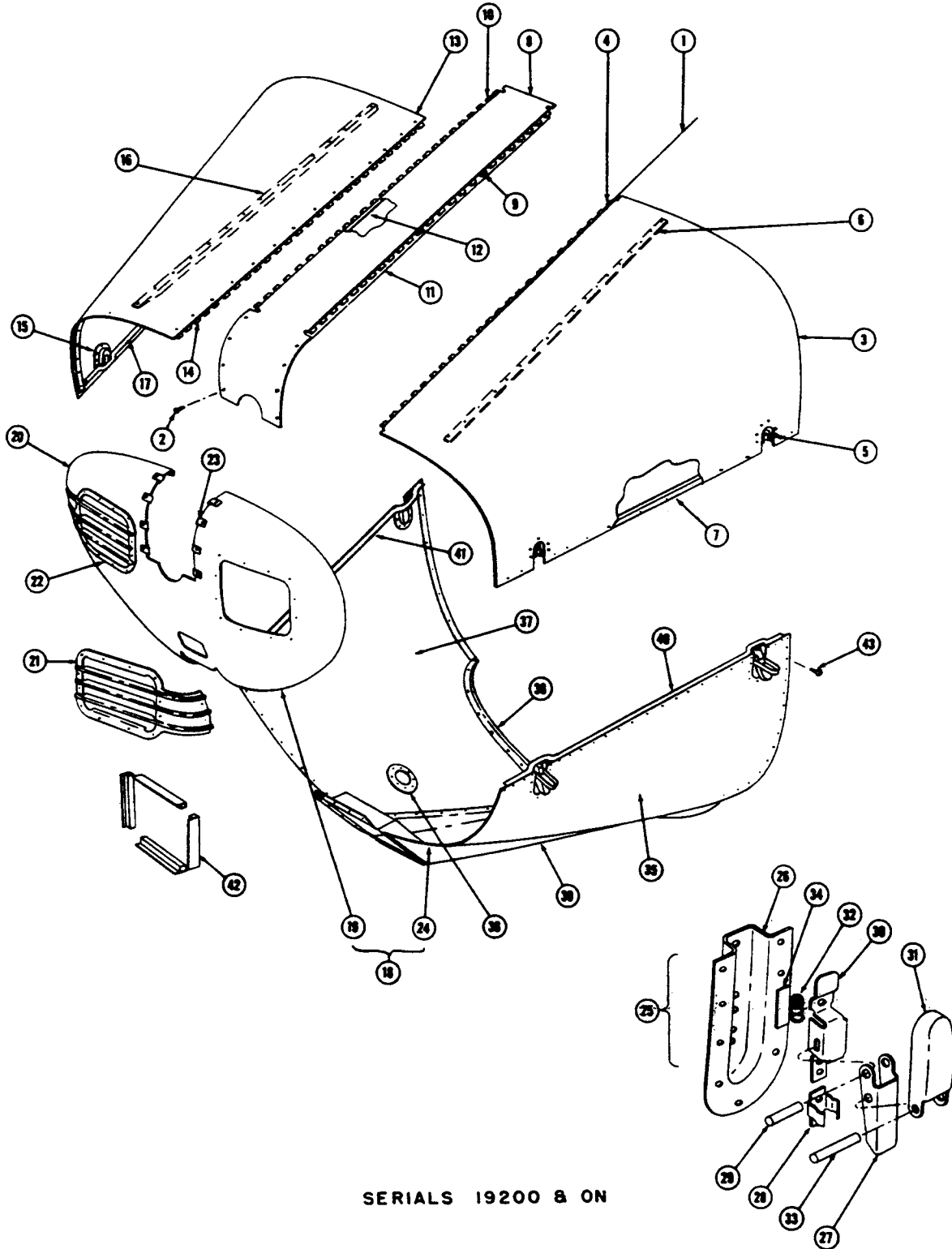
FIGURE 36

COWL ASSEMBLY - ENGINE (SERIALS 18003 TO 19200)

URE AND REF. NO.	PART NUMBER	PART NAME						UNITS REQ'D ON MODEL
		1	2	3	4	5	6	
	0552000	Cowl Assembly + Engine (Serials 18003 to 19200)						1
36-1	AN253-2-31.87	Hinge Pin + Cowl						1
36-2	PK76XZ-8-8	Screw - (Attach Center Cowl Support)						8
36-3	0552000-4	Hood Assembly + Cowl - Left						1
36-4	0552000-7	Hinge Half - Cowl Hood						1
36-5	0452108	Catch Assembly - Cowl Fastener						2
	0452122	Plate + Cowl Fastener Catch						1
	0452123	Hook - Cowl Fastener Catch						1
36-6	0552000-49	Stiffener + Cowl Hood						1
36-7	0552000-12	Parting Angle						1
36-8	0552000-6	Support Assembly - Upper Cowl Center						1
36-9	0552000-8	Hinge Half - Cowl Hood						1
36-10	0552000-7	Hinge Half - Cowl Hood						1
36-11	0552000-5	Hood Assembly + Cowl - Left						1
36-12	0552000-8	Hinge Half - Cowl Hood						1
36-13	0452108	Catch Assembly - Cowl Fastener						2
36-14	0552000-49	Stiffener + Cowl Hood						1
36-15	0552000-11	Parting Angle						1
36-16	0552000-3	Cowl Assembly + Lower						1
36-17	0552000-51	Cowl Assembly - Nose - (Includes Air Scoop)						1
36-18	0552000-16	Scoop Assembly - Carburetor Air						1
36-19	0450234	Strip Assembly - Rubbing						AR
36-20	0552000-50	Cowl Assembly - Nose - (Less Air Scoop)						1
36-21	0552000-13	Cowl - Nose						1
36-22	0452207	Grill - Cowl - Upper Left						1
36-23	0452207-1	Grill - Cowl - Upper Right						1
36-24	NAS395-14-3	Nut - (Tinnerman A1274-8Z-3)						8
36-25	0552000-52	Cowl Assembly + Engine - Lower						1
36-26	0452119	Latch Assembly - Cowl Fastener						4
36-27	0452109	Recess - Cowl Latch						1
36-28	0452110	Lever - Cowl Latch						1
36-29	0452111	Clip - Latch Lever						1
36-30	0452112	Pin - Latch Lever						1
31	0452113	Housing - Latch Spring						1
32	0452114	Hook - Cowl Latch						1
33	0452115	Spring - Cowl Fastener						1
36-34	0452120	Pin - Latch Hook						1
36-35	0452121	Shim - Cowl Latch						1
36-36	0452183-4	Doubler - Exhaust Tail Pipe Cutout						2
36-37	0552000-11	Parting Angle - Left						1
36-38	0552000-12	Parting Angle - Right						1
36-39	0552000-41	Lip - Lower Cowl						1
36-40	PK76XZ-8-8	Screw - (Attach Cowl to Fuselage)						32

ORDER BY PART NUMBER AND NAME

SERIAL NUMBER AND COLOR IF APPLICABLE



SERIALS 19200 & ON

FIGURE 37 - ENGINE COWL ASSEMBLY

ILLUSTRATED PARTS CATALOG

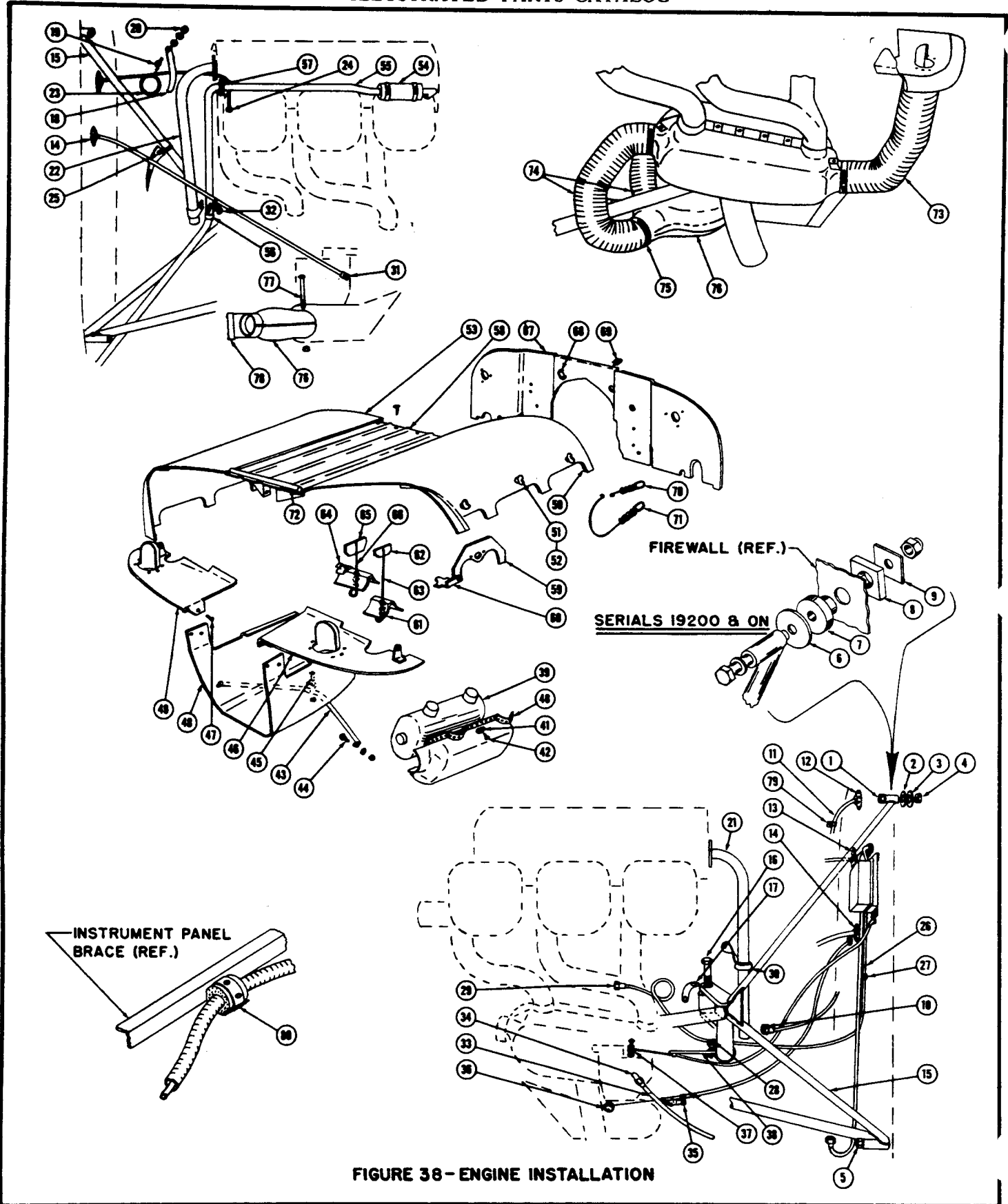
FIGURE 37

COWL ASSEMBLY - ENGINE (SERIALS 19200 AND ON)

FIGURE AND REF. NO.	PART NUMBER	PART NAME						UNITS REQ'D ON MODEL
		1	2	3	4	5	6	
	0552001	Cowl Assembly + Engine (Serials 19200 and on)						1
37-1	AN253-2-31.87	Hinge Pin + Cowl						1
37-2	PK76XZ-8-8	Screw - (Attach Center Cowl Support)						8
37-3	0552001-4	Hood Assembly + Cowl - Left						1
37-4	0552001-7	Hinge Half - Cowl Hood						1
37-5	0452108	Catch Assembly - Cowl Fastener						2
	0452122	Plate + Cowl Fastener Catch						1
	0452123	Hook - Cowl Fastener Catch						1
37-6	0552001-49	Stiffener + Cowl Hood						1
37-7	0552001-12	Parting Angle						1
37-8	0552001-6	Support Assembly - Upper Cowl Center						1
37-9	0552001-8	Hinge Half - Cowl Hood						1
37-10	0552001-7	Hinge Half - Cowl Hood						1
37-11	0552001-30	Angle - Stiffener - Left						1
37-12	0552001-31	Angle - Stiffener - Right						1
37-13	0552001-5	Hood Assembly + Cowl - Right						1
37-14	0552001-8	Hinge Half - Cowl Hood						1
37-15	0452108	Catch Assembly - Cowl Fastener						2
37-16	0552001-49	Stiffener + Cowl Hood						1
37-17	0552001-11	Parting Angle						1
37-18	0552001-3	Cowl Assembly + Lower						1
37-19	0552001-50	Cowl Assembly + Nose						1
37-20	0552001-13	Cowl - Nose						1
37-21	0452007	Grill - Cowl - Upper Left						1
37-22	0452207-1	Grill - Cowl - Upper Right						1
37-23	NAS395-14-3	Nut - (Tinnerman A1274-8Z-3)						8
37-24	0552001-52	Cowl Assembly + Engine - Lower						1
37-25	0452119	Latch Assembly - Cowl Fastener						4
37-26	0452109	Recess - Cowl Latch						1
37-27	0452110	Lever - Cowl Latch						1
37-28	0452111	Clip - Latch Lever						1
37-29	0452112	Pin - Latch Lever						1
37-30	0452113	Housing - Latch Spring						1
37-31	0452114	Hook - Cowl Latch						1
37-32	0452115	Spring - Cowl Fastener						1
37-33	0452120	Pin - Latch Hook						1
37-34	0452121	Shim - Cowl Latch						1
37-35	0552001-55	Skin Assembly - Lower Cowl - Left						1
37-36	0452183-4	Doubler						1
37-37	0552001-56	Skin Assembly - Lower Cowl - Right						1
	0452183-4	Doubler						1
37-38	0552001-41	Lip - Lower Cowl						1
37-39	0552001-16	Scop Assembly - Carburetor Air						1
37-40	0552001-11	Parting Angle - Left						1
37-41	0552001-12	Parting Angle - Right						1
37-42	0450234	Strip Assembly - Rubbing						1
37-43	PK76XZ-8-8	Screw - (Attach Cowl to Fuselage)						AR 32

ORDER BY PART NUMBER AND NAME

SERIAL NUMBER AND COLOR IF APPLICABLE



ILLUSTRATED PARTS CATALOG

FIGURE 38

ENGINE INSTALLATION

FIGURE AND REF. NO.	PART NUMBER	PART NAME						UNITS REQ'D ON MODEL
		1	2	3	4	5	6	
	0550100	Engine Installation - Continental C145 (Reference Only)						
38-1	AN6-22A	Bolt - (Attach Engine Mount - Upper Firewall)						2
38-2	AN970-6	Washer - (Serials 18003 to 19200)						2
38-3	AN960-616	Washer - (Serials 18003 to 19200)						2
38-4	AN365-624	Nut - (Serials 18003 to 19200)						2
38-5	AN6-32A	Bolt - (Attach Engine Mount - Lower Firewall)						2
	AN970-6	Washer - (Serials 18003 to 19200)						2
	AN960-616	Washer - (Serials 18003 to 19200)						2
	AN365-624	Nut - (Serials 18003 to 19200)						2
38-6	0550156	Washer - (Attach Engine Mount) (Serials 19200 and on)						4
38-7	0550155	Bushing - (Attach Engine Mount) (Serials 19200 and on)						4
38-8	0550154	Pad - (Attach Engine Mount) (Serials 19200 and on)						4
38-9	0550153	Washer - (Attach Engine Mount) (Serials 19200 and on)						4
38-10	0450261	Adapter - (Oil Temperature Gage)						1
38-11	0450017-7	Shaft - Tachometer Drive - Complete						1
38-12	See Figure 39	Firewall Grommet - (Tachometer Shaft)						
38-13	See Figure 39	Firewall Grommet - (Oil Temperature Gage)						
38-14	See Figure 39	Firewall Grommet - (Throttle Control)						
38-15	0551000	Engine Mount						1
38-16	AN7-27A	Bolt - (Attach Engine Mount to Engine)						4
	AN960-716	Washer						4
	AN365-720	Nut						4
38-17	0550100-7	Bonding Strap - Engine Mount						4
38-18	0450283	Extension - Starter Arm						1
	AN3-4A	Bolt - (Attach Extension to Starter)						1
	AN365-1032	Nut - (Attach Extension to Starter)						1
38-19	0450311	Clamp - Wire Control - (Starter Control)						1
	AN960-10L	Washer						1
	AN960-10	Washer						1
	AN365-1032	Nut						1
38-21	0550123	Blast Tube - Oil Temperature - Left						1
	AN515-8R6	Screw - (Attach Blast Tube)						3
	AN365-832	Nut						3
38-22	0550124	Blast Tube - Oil Temperature - Right						1
	AN515-8R6	Screw - (Attach Blast Tube)						3
	AN365-832	Nut						3
38-23	0500106-26	Line - Oil Pressure						1
38-24	AN816-2B	Nipple						1
38-25	NAS434-310	Clamp - (Tinnerman A2981S-10)						1
	PK76XZ-8-6	Screw - (Attach Clamp to Battery Box Support)						1
38-26	0500106-22	Line - Primer - Firewall to Jet						1
38-27	A2980A-2	Clamp - Tinnerman						2
	PK76XZ-8-6	Screw - (Attach Clamps to Firewall)						2
	NAS446-4	Nut - (Tinnerman A1778-8Z-3)						2
38-28	A2980A-20	Clamp - Tinnerman (Attach Primer Line to Engine Mount)						1
	NAS434-D2	Clamp - (Tinnerman A2981A-2)						1
38-29	AN4002-1	Jet Assembly - Primer						1
38-30	0550100-6	Bracket - Blast Tube Support						2
	AN735-16	Clamp						2
	PK76XZ-8-6	Screw						2
	NAS446-4	Nut - (Tinnerman A1778-8Z-3)						2
38-31	0550158	Ball Joint - (Throttle Control)						1
	AN365-1032	Nut						1
	AN960-10L	Washer						1
38-32	0550100-5	Bracket - Throttle Control Support						1
	A2980A-6-199	Clamp - Tinnerman						1
	AN3-3A	Bolt - (Attach Clamp)						1
	AN365-1032	Nut						1
38-33	AN6270-6-18	Hose Assembly - (Fuel Line)						1
38-34	AN822-6B	Elbow						1
38-35	NAS434-D3	Clamp - (Tinnerman A2981A-3) (Carburetor Heat Control)						1
	PK76XZ-8-6	Screw - (Attach Carburetor Heat Control Clamp)						1
38-36	0450311	Clamp - Wire Control - (Carburetor Heat Control)						1
	AN960-10L	Washer						1
	AN960-10	Washer						2
	AN365-1032	Nut						1
38-37	0450311-2	Clamp - Wire Control (Carburetor Mixture Control)						1
	AN960-416L	Washer						2
	AN365-428	Nut						1
38-38	0550100-4	Bracket - Carburetor Mixture Control Support						1
	A3052A-20	Clamp - Tinnerman						2
	A2980A-2	Clamp - Tinnerman						1
	NAS446-4	Nut - (Tinnerman A1778-8Z-3)						3
	PK76XZ-8-6	Screw - (Attach Clamps to Engine Mount)						3
38-39	0550290	Muffler Assembly - Engine Exhaust - Left						1

ORDER BY PART NUMBER AND NAME

SERIAL NUMBER AND COLOR IF APPLICABLE



ILLUSTRATED PARTS CATALOG

FIGURE 38

ENGINE INSTALLATION (CONTINUED)

FIGURE AND REF. NO.	PART NUMBER	PART NAME						UNITS REQ'D ON MODEL	
		1	2	3	4	5	6		
38-40	0550290-1							Muffler Assembly - Engine Exhaust - Right	1
	0450298							Muff - Heater - Half	4
38-41	C1022-8A-4							Nut - Tinnerman - (Attach Heater Mufflers)	22
38-42	PK76XZ-8-8							Screw	22
38-43	0550125							Brace Assembly - Muffler	1
38-44	AN3-4A							Bolt - (Attach Brace to Muffs)	2
	AN950-10							Washer	2
	AN365-1032							Nut	2
38-45	AN3-3A							Bolt - (Attach Brace to Engine)	1
38-46	0550112							Baffle Assembly - Horizontal - Front Left	1
38-47	PK76XZ-8-6							Screw - (Attach Horizontal Baffles to Lower Case)	4
	NAS446-4							Nut - (Tinnerman A1778-8Z-3)	4
38-48	0550111							Baffle - Oil Sump	1
38-49	0550113							Baffle Assembly - Horizontal - Front Right	1
38-50	0550115							Baffle Assembly - Upper Cylinder - Left	1
38-51	AW5-30							Fastener - Dzus	3
38-52	GA5-375							Grommet - Dzus	3
38-53	0550116							Baffle Assembly - Upper Cylinder - Right	1
	AW5-30							Fastener - Dzus	3
	GA5-375							Grommet - Dzus	3
38-54	AN884-10-12							Hose - (Vent Line to Engine)	1
	NAS397-16							Clamp - (Tinnerman A3122-16-59) (Attach Engine Case Vent Line)	2
38-55	0500106-28							Vent Line - Engine Case	1
38-56	0550100-9							Bracket - Vent Line Support	1
	NAS434-D10							Clamp - (Tinnerman A2981A-10) (Attach Engine Case Vent Line)	1
	PK76XZ-8-6							Screw	1
38-57	AN931-10-14							Grommet	1
38-58	0550114							Baffle Assembly - Top Crankcase	1
	PK76XZ-8-6							Screw - (Attach Top Baffle)	4
38-59	0550106							Plate Assembly - Upper Cylinder Baffle Attachment	6
	S5-200							Spring - Dzus	6
38-60	0550117							Baffle - Inter Head	4
38-61	0450171							Baffle - Inter Head	4
38-62	0450209							Support - Inter Head Baffle	4
38-63	0450211-2							Fastener - Head Baffle Spring	4
38-64	0450322-2							Baffle Assembly - Inter Cylinder - Left	2
	0450322-3							Baffle Assembly - Inter Cylinder - Right	2
38-65	0450210							Support - Inter Cylinder Baffle	4
38-66	0450211-1							Fastener - Inter Cylinder Baffle	4
38-67	0550121							Baffle Assembly - Rear Cylinder	1
38-68	AN931-14-20							Grommet	2
38-69	NAS395-14-3							Nut - (Tinnerman A1274-8Z-3)	4
38-70	0450277-1							Fastener	2
38-71	0450277-2							Fastener	2
38-72	0450234							Rub Strip Assembly - Baffle - (6' Length)	AR
38-73	0450320-9							Hose - Carburetor Heater Air Intake - Right (Baffle to Muff)	1
	0450320-8							Hose - Carburetor Heater Air Intake - Left (Baffle to Muff)	1
38-74	0450320-10							Hose - Carburetor Heater - Right (Muffs to Union)	1
	0450320-6							Hose - Carburetor Heater - Left (Muffs to Union)	1
38-75	A3499-34-2							Clamp - Tinnerman - (Attach Heater Hoses)	8
38-76	0550119							Union - Carburetor Heater	1
38-77	AN526-832-40							Screw - (Attach Union to Carburetor)	2
	AN365-832							Nut	2
	PK76XZ-10-8							Screw	1
38-78	0550118							Cap - Carburetor Heater Union	1
	AN3-25A							Bolt - (Attach Cap to Union)	1
	AN365-1032							Nut - (Attach Cap to Union)	1
38-79	A2981A-5							Clamp - Tinnerman	1
	NAS434-D3							Clamp - (Tinnerman A2981A-3)	1
	PK76XZ-8-8							Screw - (Attach Clamps)	1
38-80	NAS437-3C							Clamp - (United Carr 49166) - (Tachometer Shaft Support)	1

ORDER BY PART NUMBER AND NAME

SERIAL NUMBER AND COLOR IF APPLICABLE

ILLUSTRATED PARTS CATALOG

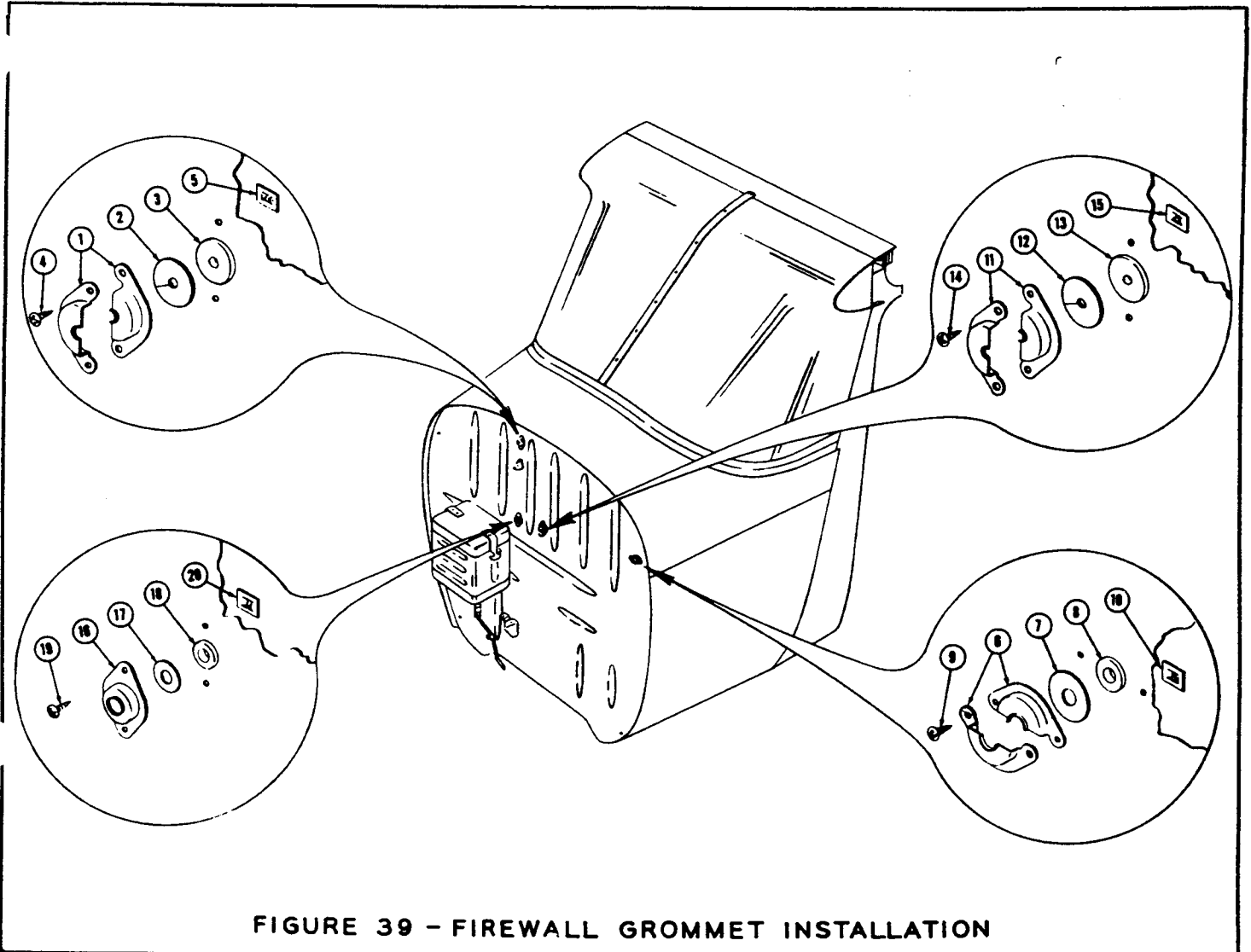


FIGURE 39 - FIREWALL GROMMET INSTALLATION

ITEM AND REF NO	PART NUMBER	PART NAME						UNITS REQ'D ON MODEL
		1	2	3	4	5	6	
		Grommet Installation - Firewall - (Tachometer Shaft)						
39-1	0353111-8							2
39-2	0553112-5							1
39-3	AN931-4-16							1
39-4	PK76XZ-8-6							2
39-5	NAS446-4							2
		Grommet Installation - Firewall - (Wiring Harness)						
39-6	0353111-4							2
39-7	0353112-4							1
39-8	AN931-7-11							1
39-9	PK76XZ-8-6							2
39-10	NAS446-4							2
		Grommet Installation - Firewall - (Oil Temperature Gage Line)						
39-11	0353111-5							2
39-12	0353112-5							1
39-13	AN931-4S16							1
39-14	PK76XZ-8-6							2
39-15	NAS446-4							2
		Grommet Installation - Firewall - (Throttle Control)						
39-16	0353111-1							1
39-17	0353112-1							1
39-18	AN931-6-10							1
39-19	PK76XZ-8-6							2
39-20	NAS446-4							2

ORDER BY PART NUMBER AND NAME

SERIAL NUMBER AND COLOR IF APPLICABLE

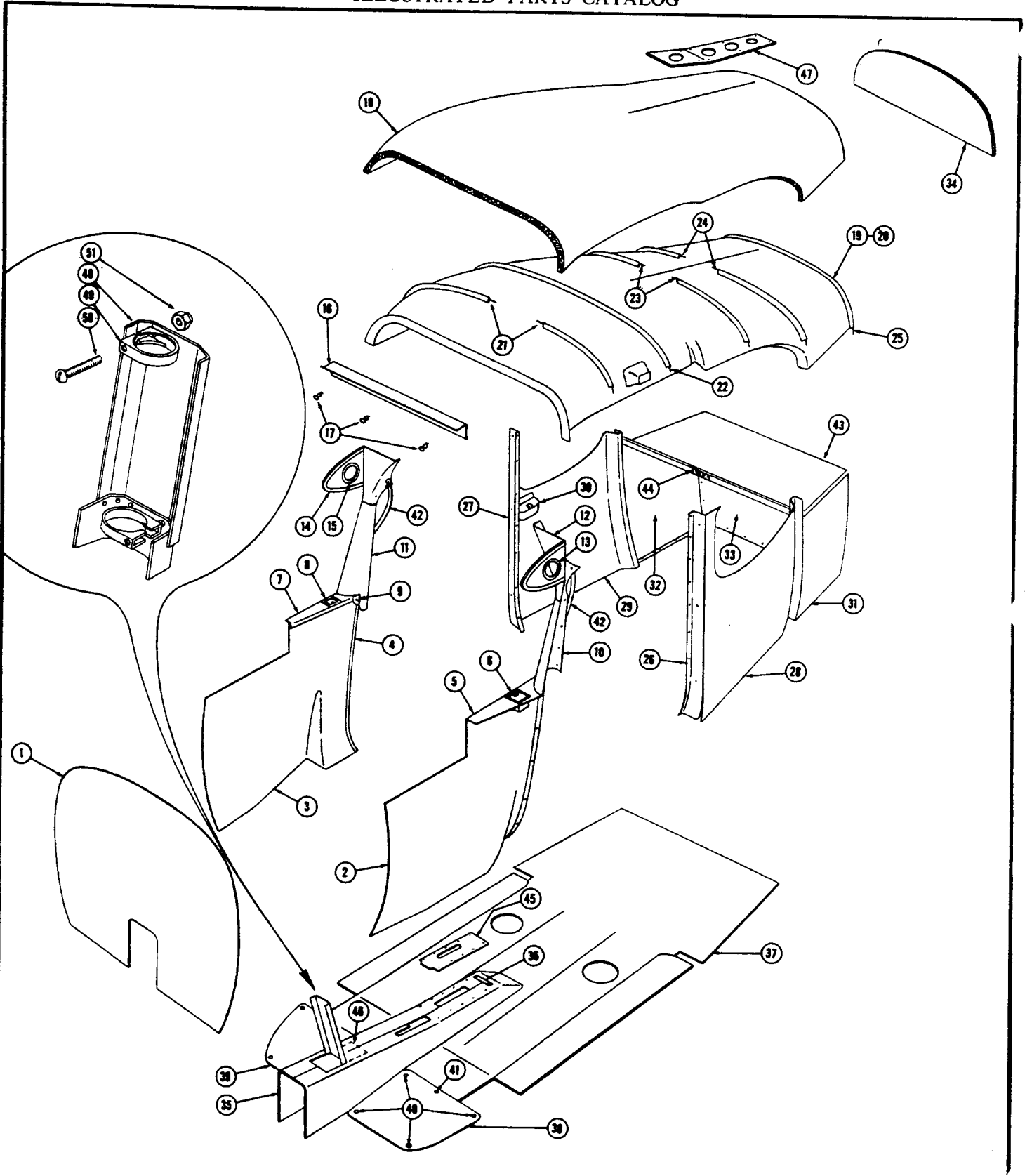


FIGURE 40 - UPHOLSTERY INSTALLATION

ILLUSTRATED PARTS CATALOG

FIGURE 40

CABIN TRIM AND UPHOLSTERY

FIGURE AND REF. NO.	PART NUMBER	PART NAME						UNITS REQ'D ON MODEL
		1	2	3	4	5	6	
	0511001	Upholstery Installation - Model 170A (Reference Only)						
40-1	0511001-8	Panel Assembly - Firewall Upholstery						1
40-2	0511001-101	Panel Assembly - Front Side Wall - Left						1
40-3	0511001-110	Panel Assembly - Front Side Wall - Right						1
40-4	0411730	Retainer - Upholstery						2
	NAS385-4-6	Screw - (Attach Upholstery Retainers) (PK88XA-4-6)						10
	NAS390-4P	Washer - Finishing (AU-VE-CO)						10
40-5	0511136	Fairing Assembly - Ash Receiver - Left						1
40-6	0413120	Ash Receiver						1
40-7	0511136-1	Fairing Assembly - Ash Receiver - Right						1
40-8	0413120	Ash Receiver						1
40-9	0511152	Fairing - Corner						2
	NAS385-4-6	Screw - (Attach Corner Fairing) (PK88XA-4-6)						2
40-10	0511137	Fairing - Front Door Post - Left						1
40-11	0511137-1	Fairing - Front Door Post - Right						1
	PK86XZ-4-6	Screw - (Attach Front Door Post Fairings)						10
40-12	0511140	Shield Assembly - Door Post Upper - Left						1
40-13	0413235	Grommet						1
40-14	0511140-1	Shield Assembly - Door Post Upper - Right						1
40-15	0413235	Grommet						1
	PK86XZ-4-6	Screw - (Attach Upper Door Post Shields)						8
40-16	0511130	Trim - Front Spar Upholstery						1
40-17	49265-F52	Fastener - United Carr						3
40-18	0511001-127	Panel Assembly - Soundproofing - Headlining						1
40-19	0511001-75	Headliner Assembly - (Serials 18729 to 18735)						1
40-20	0511001-72	Headliner Assembly - (Serials 18735 and on)						1
40-21	0511001-22	Wire - Headliner - (Used When Radio Is Installed)						2
	0511001-9	Wire - Headliner - (Used When Radio Is Not Installed)						2
40-22	0511001-20	Wire - Headliner						1
40-23	0511001-77	Wire - Headliner						2
40-24	0511001-76	Wire - Headliner (Serials 18735 and on)						2
40-25	0511001-21	Wire - Headliner						1
40-26	0511154	Fairing - Rear Door Post - Left						1
40-27	0511154-1	Fairing - Rear Door Post - Right						1
	PK86XZ-4-6	Screw - (Attach Rear Door Post Fairings)						10
40-28	0511001-78	Panel Assembly - Aft Side Wall - Left						1
40-29	0511001-86	Panel Assembly - Aft Side Wall - Right						1
40-30	0411030-3	Ash Receiver						2
	PK76XZ-8-8	Screw - (Attach Ash Receiver)						4
	NAS395-12-3	Nut - (Attach Ash Receiver) (Tinnerman A1786-8Z-3)						4
40-31	0511001-12	Panel Assembly - Baggage Compartment Side Wall - Left						1
40-32	0511001-13	Panel Assembly - Baggage Compartment Side Wall - Right						1
40-33	0511001-11	Panel Assembly - Baggage Compartment Aft Wall						1
	PK76XZ-4-4	Screw - (Attach Baggage Compartment Panels)						10
40-34	0511001-18	Panel - Soundproofing						1
40-35	0511001-32	Carpet Assembly - Tunnel						1
40-36	0511168	Placard						1
40-37	0511001-19	Carpet Assembly - Floor						1
40-38	0511001-16	Plate - Floorboard Kick - Left						1
40-39	0511001-15	Plate - Floorboard Kick - Right						1
40-40	49265-F52	Fastener - (Attach Kick Plates)						8
40-41	PK86XA-4-6	Screw - (Attach Kick Plates)						2
40-42	0511001-129	Strap - Assist						2
	10-32 x 5/8	Screw - Nickel Plated (AU-VE-CO T 5/8)						8
40-43	0513013	Shelf Assembly - Baggage						1
40-44	0512120	Decal - Baggage						1
	PK76XZ-4-4	Screw - (Attach Baggage Shelf)						10
40-45	0510140-3	Plate Assembly - Inspection Upholstered						1
	PK76XZ-8-6	Screw - (Attach Inspection Plate)						10
40-46	0510141	Cover Plate - Center - Lower Tunnel						1
	PK76XZ-8-6	Screw - (Attach Cover Plate)						4
40-47	0510157	Cover Plate - Upper Tunnel						1
	PK76XZ-10-6	Screw - (Attach Cover Plate)						10
	NAS395-23-3	Nut - (Attach Cover Plate) (Tinnerman A1794-10Z-3)						4
40-48	0411293-3	Shield - Control Tee						1
40-49	0411840	Clamp - 1 1/2" Diameter						2
40-50	AN526-632R-36	Screw - (Attach Clamp)						2
40-51	AN365-632	Nut						2

ORDER BY PART NUMBER AND NAME

SERIAL NUMBER AND COLOR IF APPLICABLE

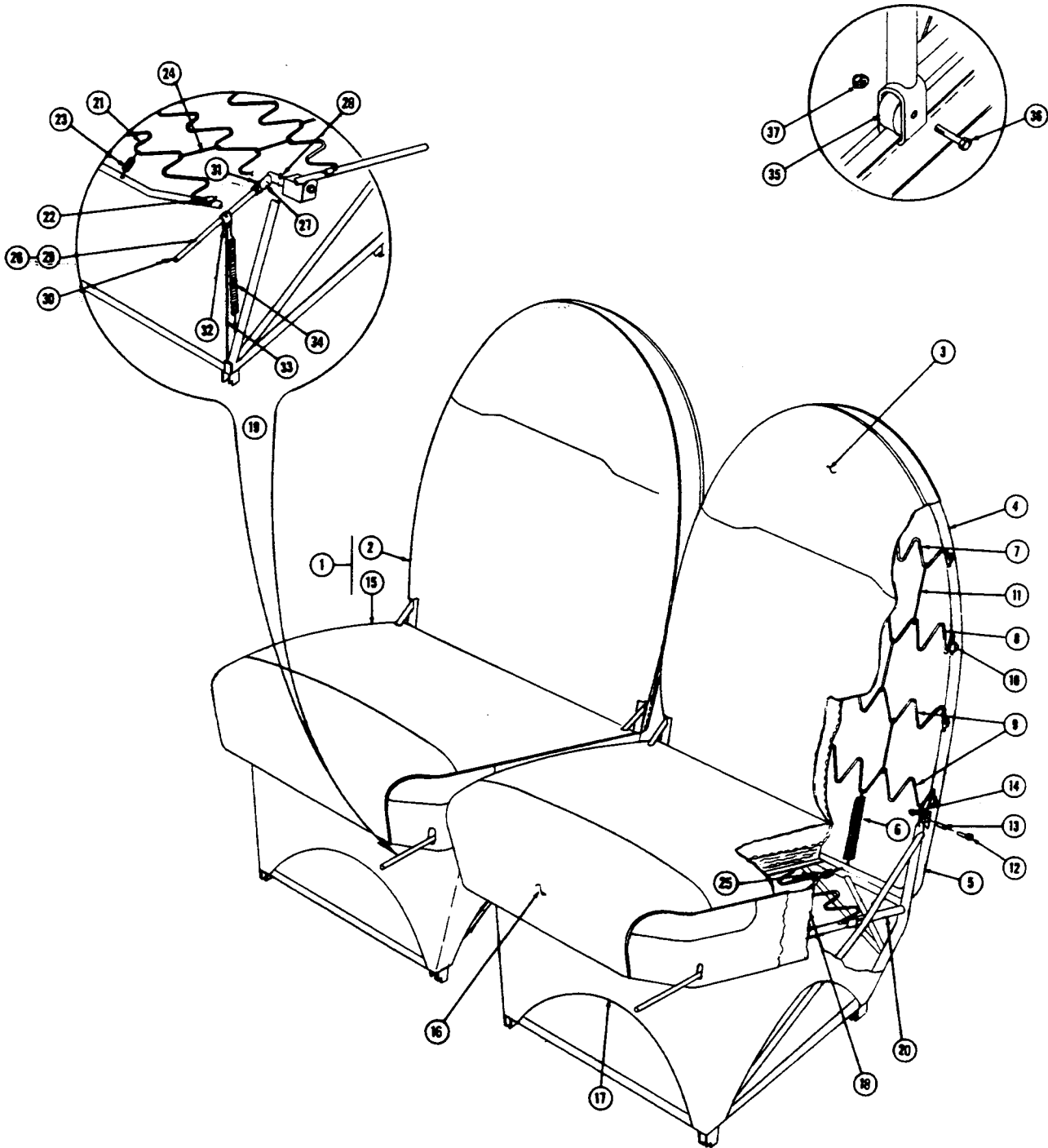


FIG. 41 - FRONT SEAT ASSEMBLY

ILLUSTRATED PARTS CATALOG

FIGURE 41

PILOT AND CO-PILOT'S SEAT

FIGURE AND REF NO	PART NUMBER	PART NAME						UNITS REQ'D ON MODEL
		1	2	3	4	5	6	
41-1	0511301-104	Seat Assembly - Front - Upholstered (Serials 18729 to 19200)						2
	0511301-106	Seat Assembly - Front - Upholstered (Serials 19200 and on)						2
41-2	0511301-102	Back Assembly - Front Seat - Upholstered						1
41-3	0511301-88	Cover Assembly - Front Seat Back						1
41-4	0511301-31	Frame Assembly - Front Seat Back						1
41-5	0511301-4	Frame - Front Seat Back						1
41-6	0411200-5	Spring - Coil						4
41-7	0511301-65	Spring - No-Sag - (12 1/2 Gage)						1
41-8	0511301-66	Spring - No-Sag - (12 1/2 Gage)						1
41-9	0511301-63	Spring - No-Sag - (10 Gage)						2
41-10	0413214	Clip - No-Sag Spring Attachment						8
41-11	0411200-6	Connector - No-Sag Springs						6
41-12	AN3-5A	Bolt - (Attach Seat Back and Seat Bottom)						2
41-13	0511301-20	Bushing - Front Seat Back Attachment						2
	AN960-10	Washer						4
41-14	AN365-1032	Nut						2
41-15	0511301-86	Bottom Assembly - Front Seat - Upholstered (Serials 18729 to 19200)						1
	0511301-107	Bottom Assembly - Front Seat - Upholstered (Serials 19200 and on)						1
41-16	0511301-80	Cover Assembly - Front Seat Bottom (Serials 18729 to 19200)						1
	0511301-108	Cover Assembly - Front Seat Bottom (Serials 19200 and on)						1
41-17	0511173	Skirt - Front Seat						1
	PK76XZ-6-4	Screw - (Attach Front Seat Skirt)						4
41-18	0511172	Retainer - Front Seat Upholstery						1
	PK76XZ-6-4	Screw - (Attach Upholstery Retainer)						11
41-19	0511301-30	Frame Assembly - Front Seat Bottom						1
41-20	0511301-3	Frame - Front Seat Bottom						1
41-21	0411794-3	Spring - No-Sag - (9 Gage)						4
41-22	0413214	Clip - No-Sag Spring Attachment						8
41-23	0411794-5	Spring - Coil						2
41-24	0311741-26	Connector - No-Sag Springs						6
41-25	0411200-5	Spring - Coil						2
41-26	0511301-70	Handle Assembly - Front Seat Adjustment						1
41-27	0511301-17	Shaft Assembly - Front Seat Adjustment						1
41-28	AN380-4-3	Pin - Cotter						1
41-29	0511301-24	Handle - Front Seat Adjustment						1
41-30	48151	Plug Button - (United Carr)						1
41-31	AN380-4-3	Pin - Cotter (Attach Handle Assembly)						2
41-32	0311644	Clevis - Front Seat Adjustment						1
41-33	0311311-1	Rod - Front Seat Adjustment						1
41-34	0310196-2	Spring - Coil - Seat Adjustment						1
	AN392-15	Pin - Clevis						2
	AN380-2-1	Pin - Cotter						2
41-35	0311310	Roller - Seat						4
	0311586	Bushing - Seat Roller						4
41-36	AN3-11A	Bolt - (Attach Seat Roller)						4
41-37	AN365-1032	Nut						4

ORDER BY PART NUMBER AND NAME

SERIAL NUMBER AND COLOR IF APPLICABLE

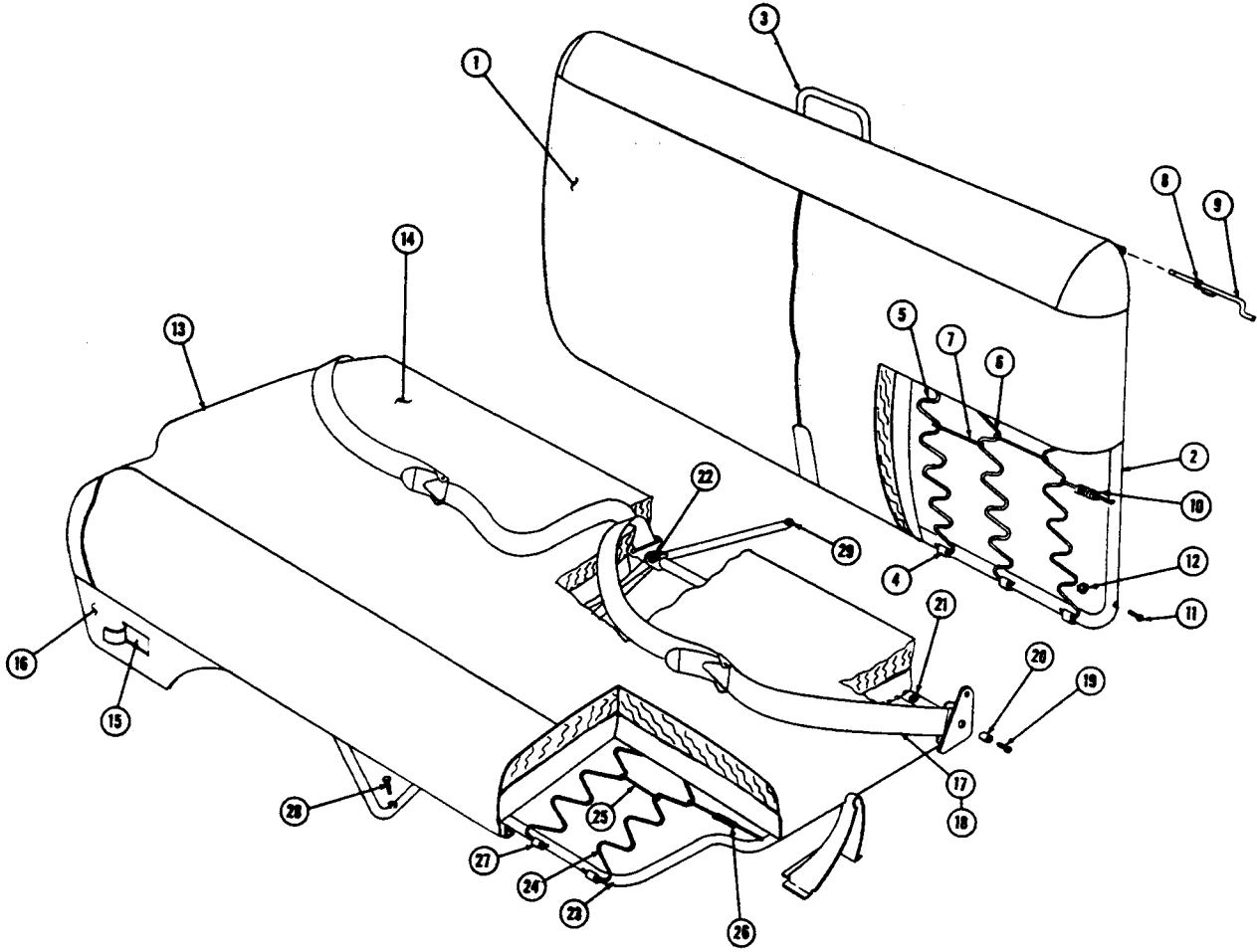


FIG. 42- REAR SEAT

ILLUSTRATED PARTS CATALOG

FIGURE 42

REAR SEAT ASSEMBLY

FIGURE AND REF. NO.	PART NUMBER	PART NAME						UNITS REQ'D ON MODEL
		1	2	3	4	5	6	
42-1	0511108-70	Back Assembly + Rear Seat - Upholstered						1
42-2	0511108-71	Cover Assembly - Seat Back						1
42-3	0511108-3	Frame Assembly - Seat Back						1
42-4	0511108-22	Latch + Seat Back Adjustment						1
42-5	0413214	Clip - Seat Frame - No-Sag Spring						18
42-6	0411200-4	Spring - No-Sag						3
42-7	0411200-2	Spring - No-Sag						6
42-8	0511794-6	Connector + No-Sag Spring						16
42-9	0411333	Spring - Seat Latch Operating - Left						1
	0411333-1	Spring - Seat Latch Operating - Right						1
42-10	0411629	Latch Arm + Seat Back						2
42-11	0311741-22	Spring - Extension						4
42-12	AN4-11A	Bolt - (Attach Seat Back to Bottom)						2
42-13	AN365-428	Nut						2
42-14	0511108-51	Bottom Assembly - Rear Seat - Upholstered (Serials 18729 to 19200)						1
	0511108-90	Bottom Assembly - Rear Seat - Upholstered (Serials 19200 and on)						1
42-15	0511108-52	Cover Assembly - Rear Seat Bottom (Serials 18729 to 19200)						1
42-16	0511108-91	Cover Assembly - Rear Seat Bottom (Serials 19200 and on)						1
42-17	0511174	Retainer - Rear Seat Upholstery						1
42-18	0511108-60	Carpet - Cushion Roll						2
42-19	0311710	Belt Assembly + Safety - (Brown or Green)						2
42-20	0311710-4	Belt Assembly - Safety - 54" Long (Brown or Green) (Optional)						2
42-21	AN4-5A	Bolt - (Attach Safety Belt)						2
42-22	NAS43C-4-12	Bushing						2
	AN365-428	Nut						2
	AN4-11A	Bolt - (Attach Safety Belt)						1
	NAS43C-4-47	Bushing						1
	AN365-428	Nut						1
42-23	0511108-2	Frame Assembly - Seat Bottom						1
42-24	0511108-30	Spring - No-Sag						8
42-25	0411794-6	Connector + No-Sag Spring						14
42-26	0311741-22	Spring - Extension						4
42-27	0413214	Clip - Seat Frame - No-Sag Spring						16
42-28	AN3-10A	Bolt - (Attach Seat Bottom)						3
42-29	AN4-6A	Bolt - (Attach Seat Bottom)						1

ORDER BY PART NUMBER AND NAME

SERIAL NUMBER AND COLOR IF APPLICABLE

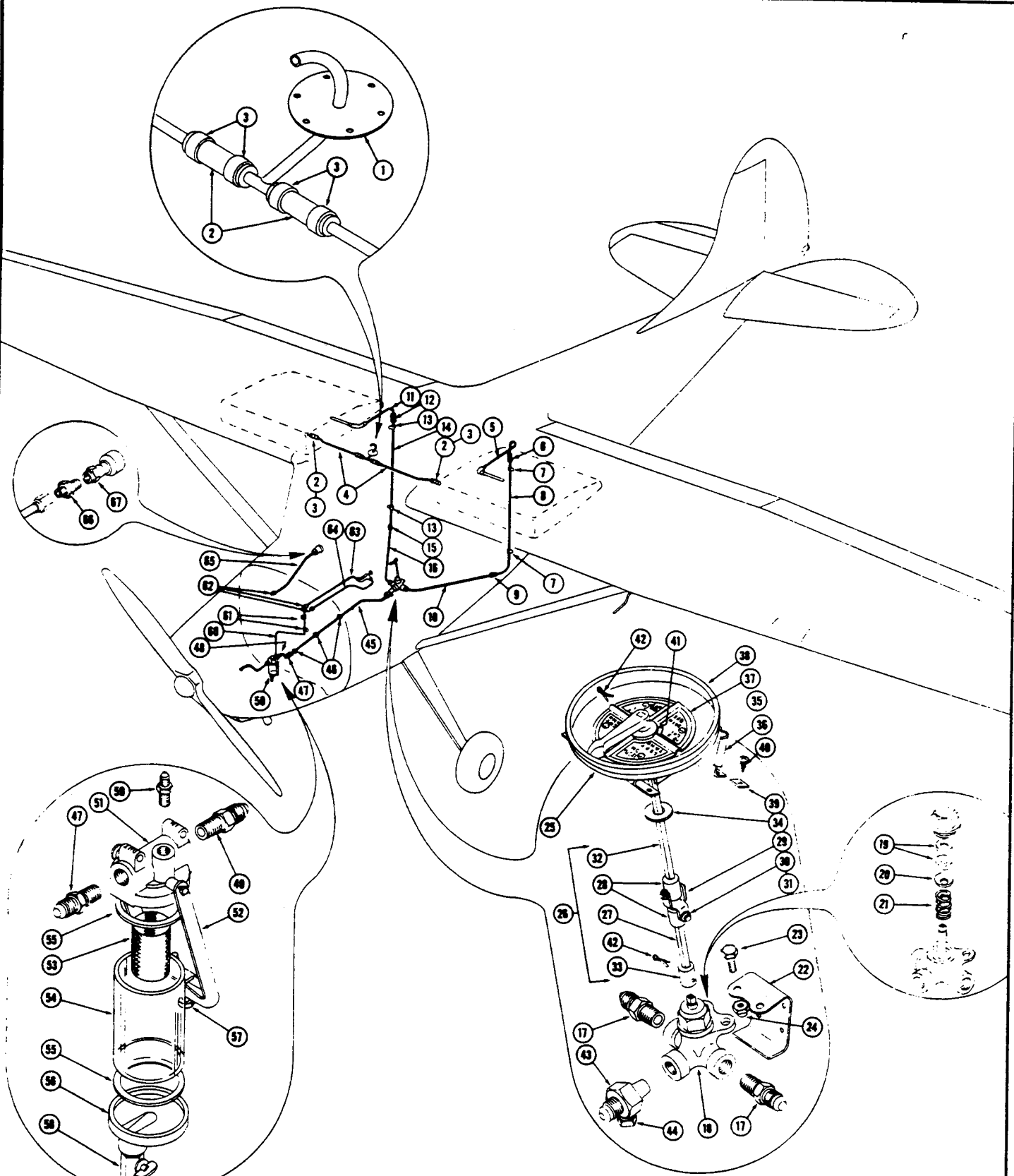


FIGURE 43 - FUEL AND OIL SYSTEM

ILLUSTRATED PARTS CATALOG

FIGURE 43

FUEL AND OIL SYSTEM

FIGURE AND REF. NO.	PART NUMBER	PART NAME						UNITS REQ'D ON MODEL
		1	2	3	4	5	6	
	0500205	System Installation - Fuel and Oil (Reference Only)						
43-1	See Figure 18	Vent - Fuel Tank						
43-2	AN884-6-9	Hose						
43-3	NAS397-12	Clamp - (Tinnerman A3122-12-59)						4
43-4	0500106-68	Line - Vent						8
43-5	0500106-66	Fuel Line - Wing Tank to Door Post - Left						2
43-6	AN815-6D	Union						1
43-7	NAS434-D6	Clamp - (Tinnerman A2981A-6)						1
	PK76XZ-8-8	Screw - (Attach Clamp)						2
43-8	0500106-64	Fuel Line - Door Post - Left						2
43-9	AN815-6D	Union						1
43-10	0500106-62	Fuel Line - Door Post to Selector Valve - Left						1
43-11	0500106-67	Fuel Line - Wing Tank to Door Post - Right						1
43-12	AN815-6D	Union						1
43-13	NAS434-D6	Clamp - (Tinnerman A2981A-6)						1
	PK76XZ-8-8	Screw - (Attach Clamp)						2
43-14	0500106-65	Fuel Line - Door Post - Right						2
43-15	AN815-6D	Union						1
43-16	0500106-63	Fuel Line - Door Post to Selector Valve - Right						1
43-17	AN816-6D	Adapter Selector						2
43-18	0413020-3	Valve - Fuel Selector						1
43-19	0413020-4	Packing						2
43-20	0413020-5	Tog - Spring						1
43-21	0413020-6	Spring						1
43-22	0511192	Bracket - Fuel Selector Valve Mounting						1
43-23	AN3-4A	Bolt						2
43-24	AN365-1032	Nut						2
	0511157-7	Handle Assembly - Fuel Selector Valve						1
43-25	0513107	Handle - Fuel Selector Valve						1
43-26	0511157-8	Shaft Assembly						1
43-27	0511157-4	Shaft						1
43-28	0511194-4	Pivot						2
43-29	0511127	Spacer						1
43-30	AN960-6	Washer						4
43-31	0425134	Pin						2
43-32	0511157-6	Shaft						1
43-33	0511194-3	Pivot						1
43-34	0511197	Washer						1
43-35	0511191	Bracket Assembly - Fuel Selector Valve						1
43-36	0511190	Bracket						1
43-37	0511167	Plate - Etched						1
43-38	0511198	Cup - Fuel Valve Handle Guard						1
43-39	NAS395-18-3	Nut - (Tinnerman A1787-8Z-3)						2
43-40	PK76XZ-8-6	Screw						2
43-41	0511195	Guide						1
43-42	AN380-2-3	Cotter Pin						2
43-43	0511196	Adapter						1
43-44	AN913-1	Plug						1
43-45	0500106-61	Fuel Line						1
43-46	AN931-6-16	Grommet						3
43-47	AN815-6D	Union						1
43-48	0500106-60	Fuel Line						1
43-49	AN815-6D	Nipple						2
43-50	0511199	Strainer Assembly						1
43-51	0511199-2	Head						1
43-52	0511199-3	Yoke						1
43-53	0511199-4	Screen						1
43-54	0511199-5	Cylinder - Glass						1
43-55	0511199-6	Gasket						2
43-56	0511199-7	Cover - Bottom						1
43-57	1/4 - 28 (3/4 lg)	Screw - Hex Head						1
43-58	0511199-8	Valve - Drain						1
43-59	AN816-2D	Nipple						1
43-60	0500106-59	Primer Line - Strainer to Firewall						1
43-61	A2980A-2	Clamp - (Tinnerman)						2
	NAS446-4	Nut - (Tinnerman A1778-8Z-3)						2
	PK76XZ-8-6	Screw						2
43-62	AN832-2D	Union						3
	AN924-2D	Nut						3
43-63	0500106-8	Primer Line - Intake						1
43-64	0500106-7	Primer Line - Exhaust						1
43-65	0500106-20	Line - Oil Pressure Gage to Firewall						1
43-66	AN816-2D	Nipple						1
43-67	AN910-1D	Coupling						1

ORDER BY PART NUMBER AND NAME

SERIAL NUMBER AND COLOR IF APPLICABLE

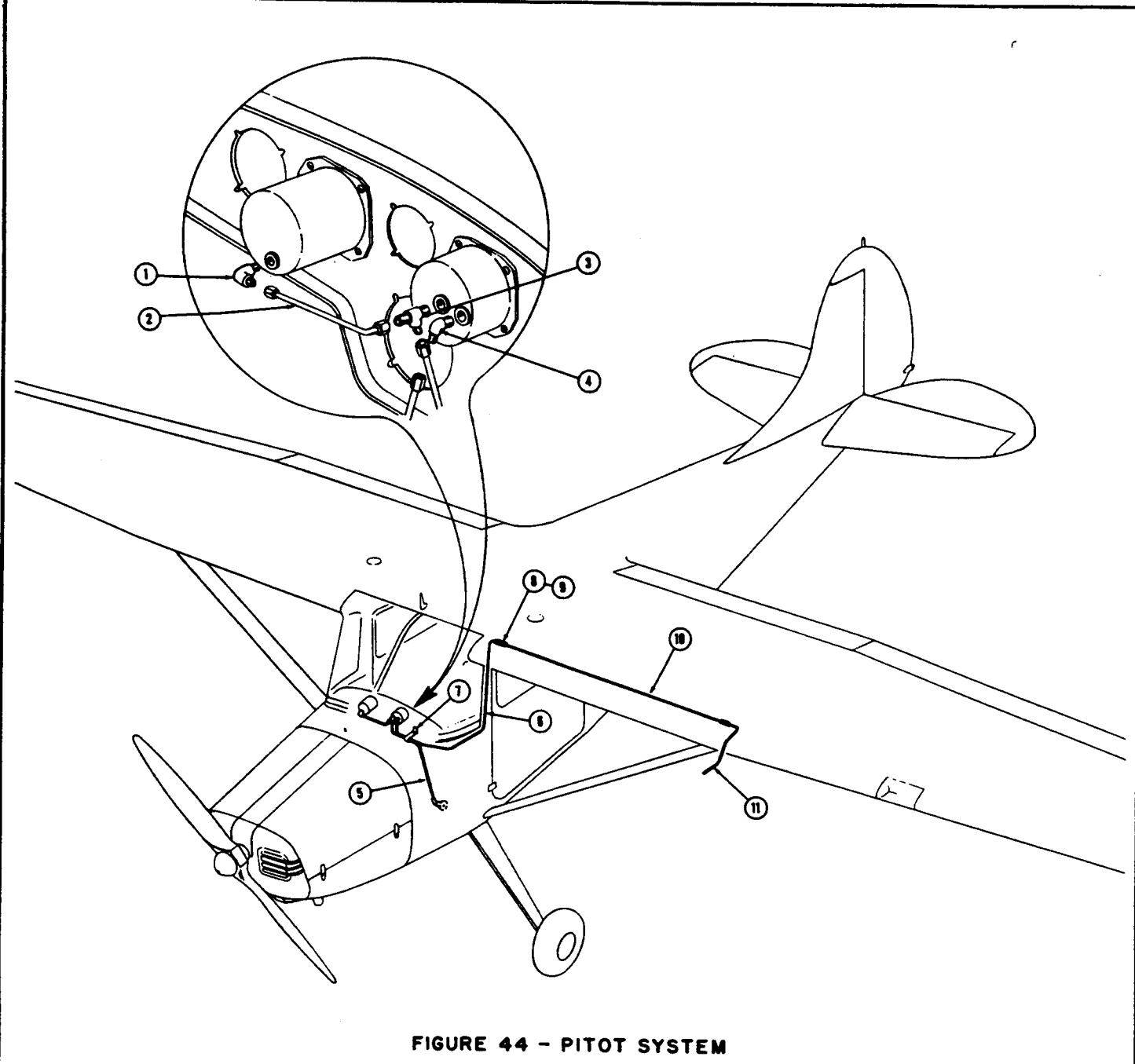


FIGURE 44 - PITOT SYSTEM

FIGURE AND REF. NO.	PART NUMBER	PART NAME						UNITS REQ'D ON MODEL
		1	2	3	4	5	6	
	0500205	Pitot System Installation (Reference Only)						
44-1	AN822-4D		1					1
44-2	0400106-61		1					1
44-3	AN826-4D		1					1
44-4	AN823-4D		1					1
44-5	0500106-19		1					1
44-6	0500106-51		1					1
44-7	0413263		1					1
44-8	NAS397-10		2					2
44-9	AN884-4-12		1					1
44-10	See Figure 3		1					1
44-11	See Figure 3		1					1

ORDER BY PART NUMBER AND NAME

SERIAL NUMBER AND COLOR IF APPLICABLE

ILLUSTRATED PARTS CATALOG

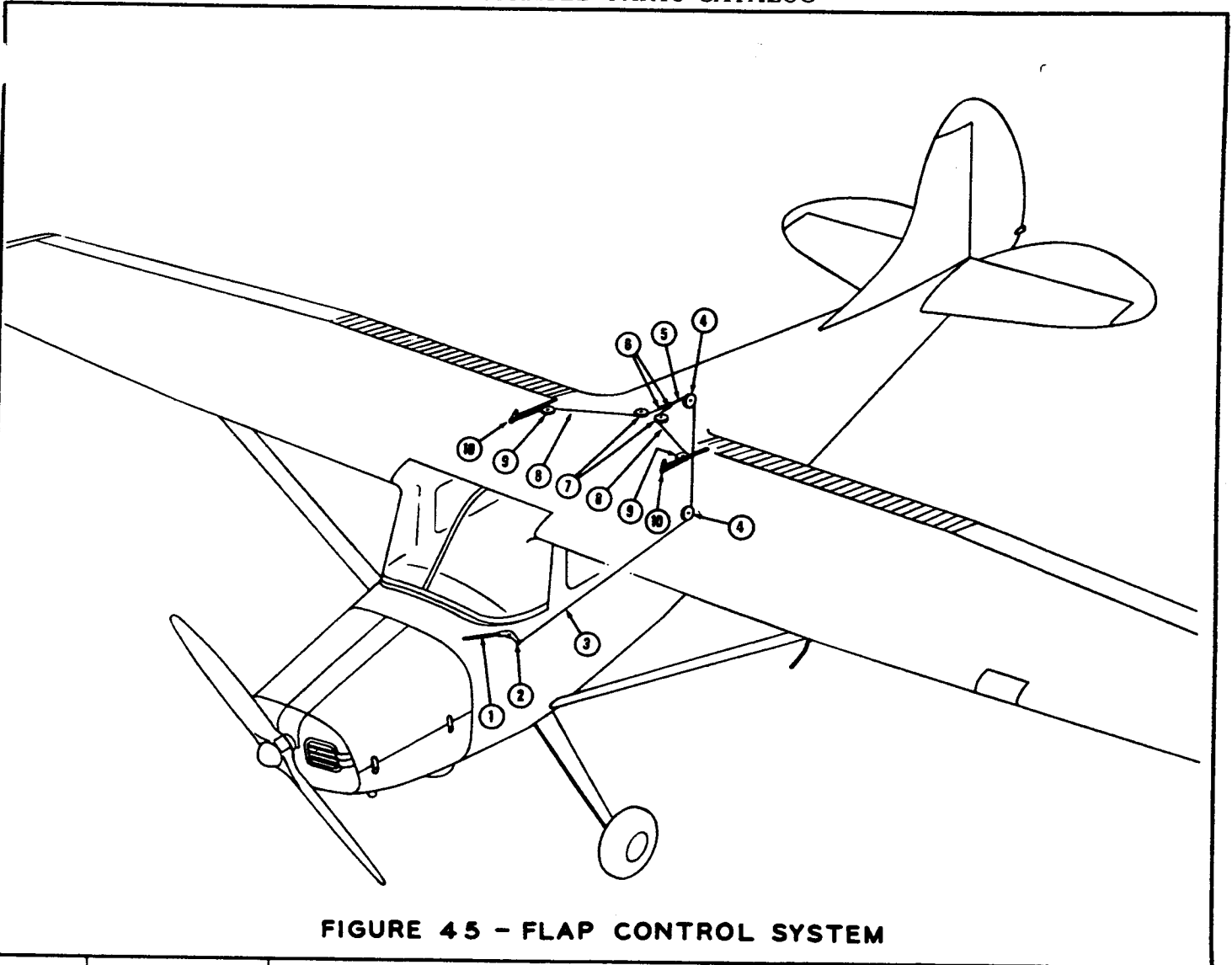


FIGURE 45 - FLAP CONTROL SYSTEM

FIGURE AND REF. NO.	PART NUMBER	PART NAME						UNITS REQ'D ON MODEL
		1	2	3	4	5	6	
	0510103-9	Control System Installation - Flap (Reference Only)						
45-1	See Figure 17	Handle Assembly - Flap						
45-2	AN23-11	Bolt						
	AN310-3	Nut						1
	AN380-2-4	Cotter Pin						1
45-3	0510105-5	Cable - Flap						1
45-4	NAS383-4	Pulley - (See Figure 46 for Attaching Parts)						2
45-5	AN23-15A	Bolt						1
	AN365-1032	Nut						1
45-6	AN155-168	Barrel - Turnbuckle						2
	AN165-168	Eye						2
45-7	NAS383-3	Pulley						2
	0411489	Bushing						2
	AN4-10A	Bolt						2
45-8	0510105-11	Cable - Flap						2
45-9	NAS383-3	Pulley						2
	0411489	Bushing						2
	AN4-10A	Bolt						2
	AN365-428	Nut						2
	AN380-2-4	Cotter Pin						2
45-10	AN23-9	Bolt						4
	AN310-3	Nut						2
	AN380-2-2	Cotter Pin						2

ORDER BY PART NUMBER AND NAME

SERIAL NUMBER AND COLOR IF APPLICABLE

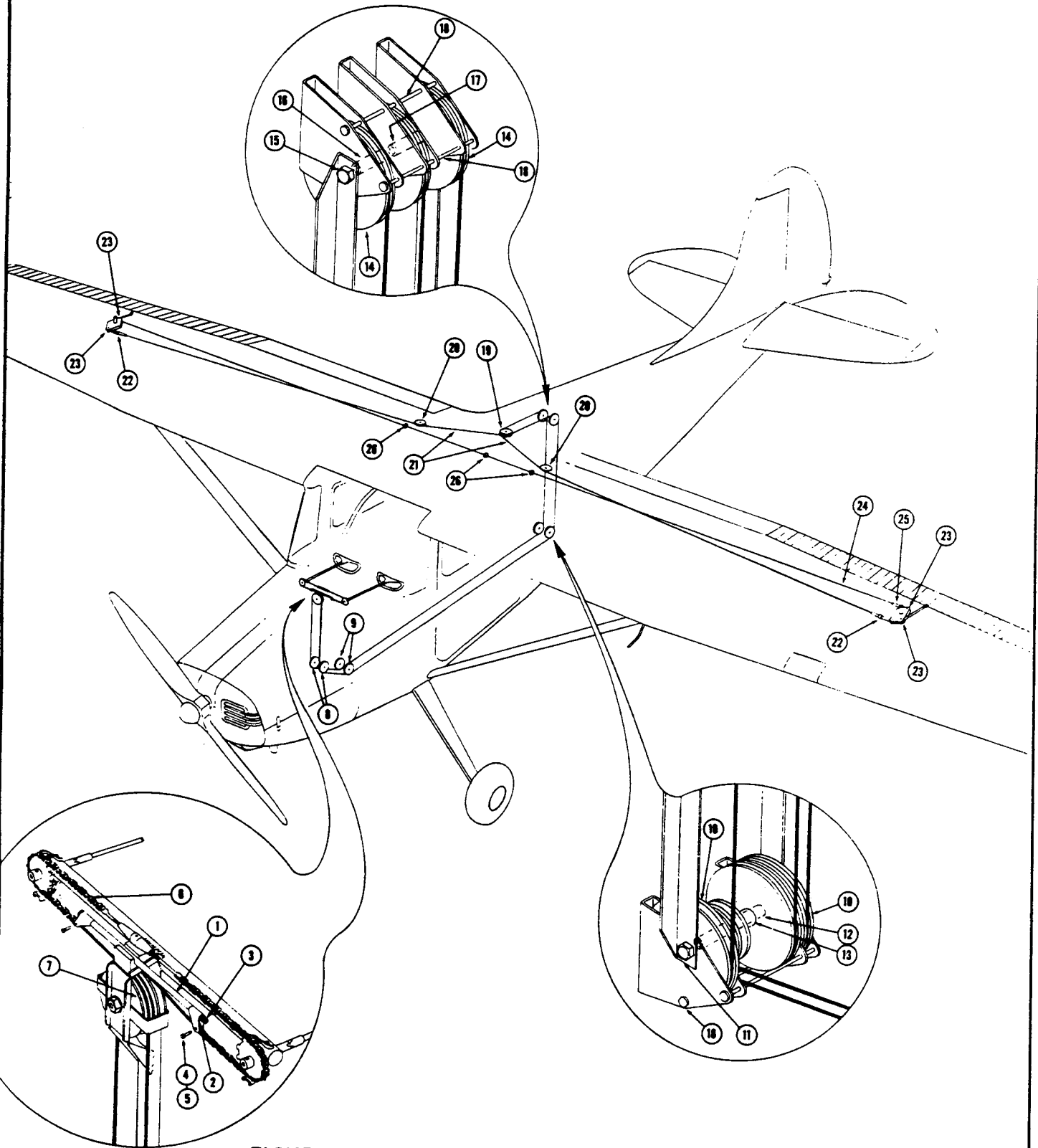


FIGURE 46 - AILERON CONTROL SYSTEM

ILLUSTRATED PARTS CATALOG

FIGURE 46

AILERON CONTROL SYSTEM

FIGURE AND REF. NO.	PART NUMBER	PART NAME						UNITS REQ'D ON MODEL
		1	2	3	4	5	6	
	0510103-9	Aileron Control System Installation (Reference Only)						
46-1	0411880	Bar Assembly - Aileron Carry Thru						1
46-2	0411881	Tube Assembly - Aileron Carry Thru						1
46-3	AN365-428	Nut						1
46-4	AN392-17	Pin - Clevis						4
46-5	AN380-2-1	Pin - Cotter						4
46-6	0411051	Chain Assembly						1
	0411051-4	Chain - Aileron Control (American Chain #35)						2
	AN155-32S	Barrel - Turnbuckle						1
	NAS-288-35LH	Terminal						1
	NAS-288-35RH	Terminal						1
	AN392-13	Pin - Clevis						2
	AN380-2-1	Pin - Cotter						2
46-7	NAS383-4	Pulley						2
	0411521	Bushing - Pulley						1
	0411232	Guard						1
	AN4-33A	Bolt						1
	AN960-416	Washer						2
	AN365-428	Nut						1
46-8	AN210-4A	Pulley - Control (Type B)						2
	AN4-21A	Bolt						2
	AN365-428	Nut						2
	0510136	Spacer - Pulley						2
	0510137	Spacer - Pulley						2
	AN392-57	Pin - Clevis						2
	AN380-2-1	Pin - Cotter						2
46-9	AN210-4A	Pulley - Control (Type B)						2
	AN4-14A	Bolt						2
	0411489	Bushing						2
	AN365-428	Nut						2
	AN380-4-5	Pin - Cotter						2
46-10	AN210-4A	Pulley - Control (Type B)						2
46-11	AN4-42A	Bolt						1
46-12	0510119	Bushing						1
46-13	NAS43DD-6-58	Spacer						1
	AN365-428	Nut						1
46-14	AN210-4A	Pulley - Control (Type B)						2
46-15	AN4-42A	Bolt						1
	AN365-428	Nut						5
46-16	NAS43DD-4-64	Spacer						1
46-17	NAS43DD-4-48	Spacer						1
46-18	AN23-64A	Bolt - Clevis						5
46-19	AN210-4A	Pulley - Control (Type B)						2
	AN4-14A	Bolt						2
	AN380-2-6	Pin - Cotter						1
46-20	AN210-3	Pulley - Type B						2
	0411421-2	Guard						2
	AN4-10A	Bolt						2
	AN365-428	Nut						2
46-21	0510105-12	Cable - Aileron Direct						2
46-22	AN161-32LL	Fork - Turnbuckle						2
	AN155-32L	Barrel - Turnbuckle						2
46-23	AN3-10A	Bolt						4
	AN365-1032	Nut						4
	AN960-10L	Washer						4
46-24	0510105-13	Cable - Aileron Carry Thru						1
46-25	AN161-32LL	Fork - Turnbuckle						1
	AN155-32L	Barrel						1
46-26	0412006	Fairlead						3

ORDER BY PART NUMBER AND NAME

SERIAL NUMBER AND COLOR IF APPLICABLE

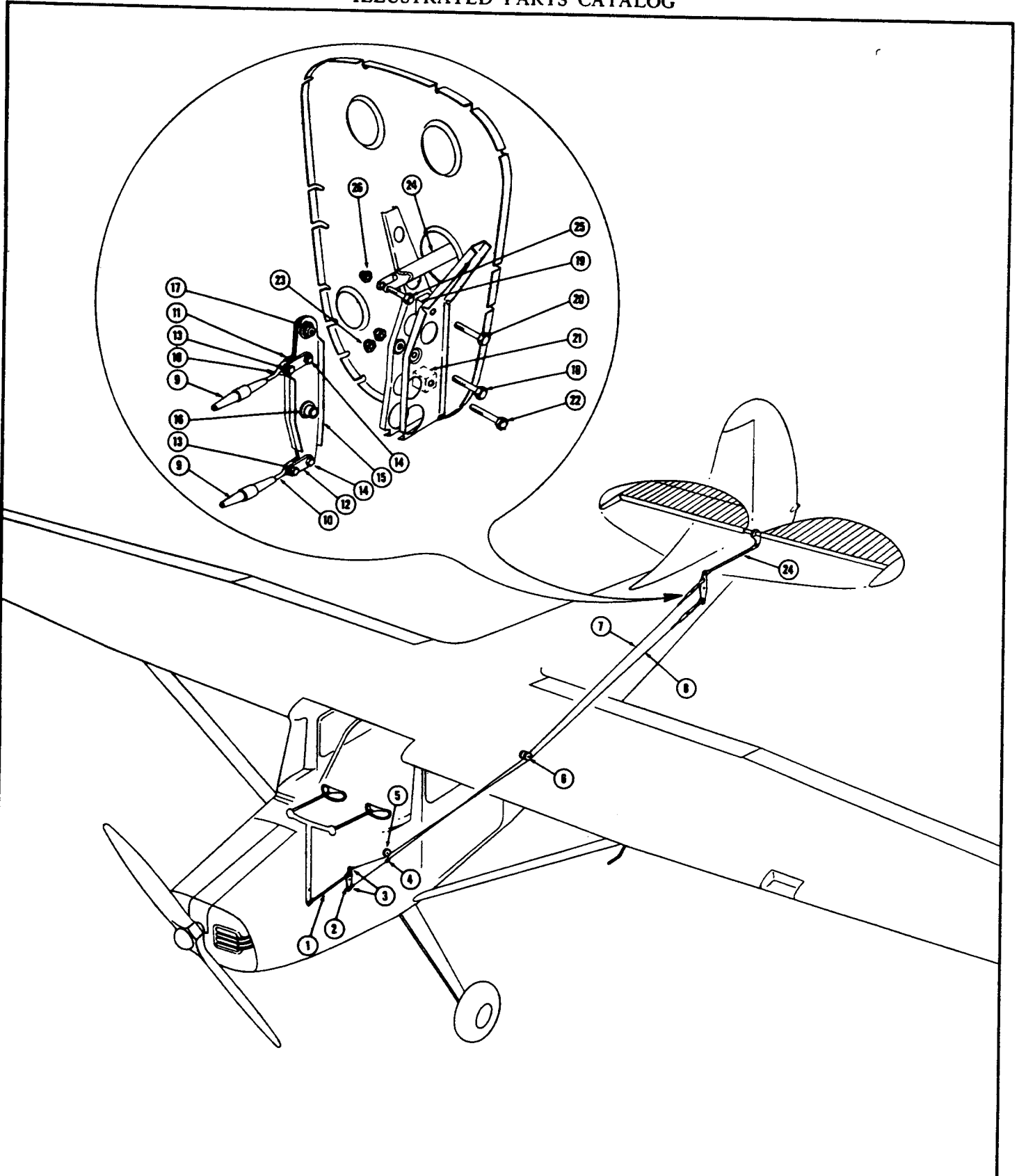


FIGURE 47 - ELEVATOR CONTROL SYSTEM

ILLUSTRATED PARTS CATALOG

FIGURE 47

ELEVATOR CONTROL SYSTEM

FIGURE AND REF. NO.	PART NUMBER	PART NAME						UNITS REQ'D ON MODEL
		1	2	3	4	5	6	
	0510103-9	Control System - Elevator (Reference Only)						
47-1	See Figure 26	Link - Elevator Control - Front						
47-2	See Figure 26	Bellcrank Assembly - Elevator - Foreward						
47-3	AN23-10	Bolt						2
	AN310-3	Nut						2
	AN380-2-3	Pin - Cotter						2
47-4	0412006	Fairlead						1
47-5	NAS383-3	Pulley						1
	0411489	Bushing						1
	0411421-2	Guard						1
	AN4-10A	Bolt						1
	AN365-428	Nut						1
47-6	NAS383-3	Pulley - Formica - (See Figure 46 For Attaching Parts)						2
	AN960-616	Washer - (Between Pulleys)						1
47-7	NAS314-27-1760	Cable Assembly - Elevator						1
47-8	NAS314-27-1770	Cable Assembly - Elevator						1
47-9	AN155-328	Barrel						2
47-10	AN165-228	Eye						2
47-11	0510160	Link						2
47-12	0310103-2	Link						2
47-13	AN23-11	Bolt - (Attach Link to Eye)						2
47-14	AN23-10	Bolt - (Attach Link to Bellcrank)						2
	AN310-3	Nut - (Attach Links)						4
	AN380-2-3	Pin - Cotter (Attach Links)						4
47-15	0510108	Bellcrank Assembly - Elevator - Rear						1
47-16	NAS296-4A	Bearing - (Torrington AR4-1)						1
47-17	AN200KS4	Bearing - (Fafnir KS4)						1
47-18	AN4-11A	Bolt - (Attach Rear Bellcrank to Bracket)						1
	AN365-428	Nut						1
47-19	0510146	Stop - Elevator Bellcrank - Down						1
47-20	AN4-12A	Bolt						1
	AN365-428	Nut						1
47-21	0510146	Stop - Elevator Bellcrank - Up						1
47-22	AN4-11A	Bolt						1
47-23	AN365-428	Nut						1
47-24	0510111-2	Link - Elevator Control - Rear						1
47-25	AN4-10A	Bolt						2
47-26	AN365-428	Nut						2

ORDER BY PART NUMBER AND NAME

SERIAL NUMBER AND COLOR IF APPLICABLE

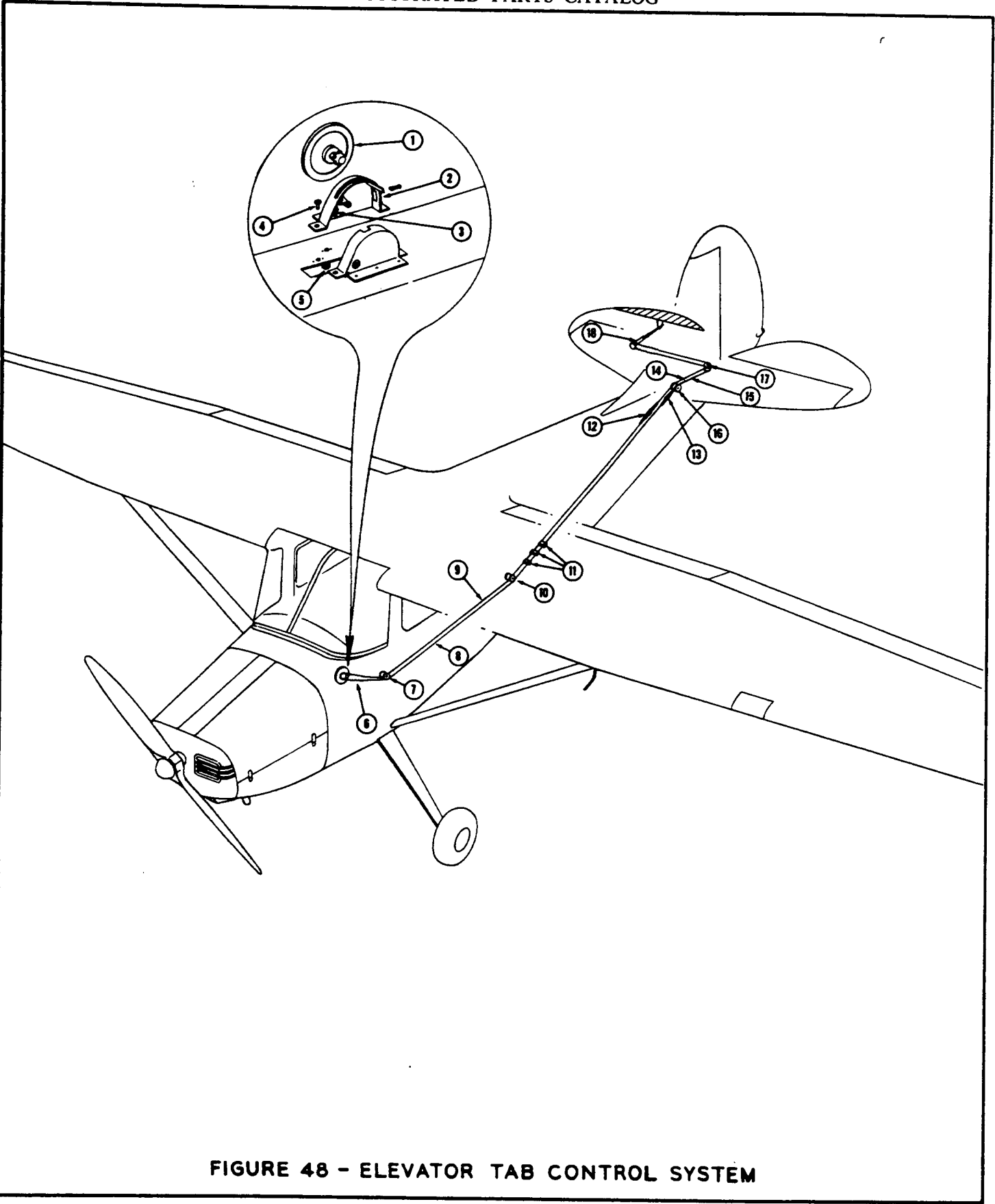


FIGURE 48 - ELEVATOR TAB CONTROL SYSTEM

ILLUSTRATED PARTS CATALOG

FIGURE 48

ELEVATOR TAB CONTROL SYSTEM

FIGURE AND REF. NO.	PART NUMBER	PART NAME						UNITS REQ'D ON MODEL
		1	2	3	4	5	6	
48-1	0510103-9	Control System - Elevator Tab (Reference Only)						
	0411427	Shaft Assembly - Tab Control						1
	0411877	Wheel - Elevator Tab Control						1
	0411426	Shaft - Tab Control						1
	0432134	Sprocket - Elevator Tab Control						1
48-2	AN420-3-10P	Rivet						1
	0411419	Cover Assembly - Tab Control Mechanism - Right						2
48-3	0411422	Decal - Tab Position Indicator						1
	M-451	Bearing - Torrington						1
48-4	AN526-10R7	Screw - (Attach Cover Assembly)						1
48-5	AN365-1032	Nut - (Attach Cover Assembly)						4
48-6	0432138-1	Chain - Elevator Tab (# 25 Diamond Chain XCDR-1189) (15 1/4 Long)						2
48-7	NAS383-1	Pulley						2
	AN3-10A	Bolt						2
	0411491	Bushing						1
	AN960-416L	Washer						1
	AN365-1032	Nut						1
	AN380-3-4	Pin - Cotter						1
	0510105-7	Cable Assembly - Tab - (Foreward Up)						1
48-9	0510105-9	Cable Assembly - Tab - (Foreward Down)						1
	NAS383-1	Pulley						1
48-10	0411491	Bushing						2
	AN960-416L	Washer						1
	AN3-10A	Bolt						1
	AN365-1032	Nut						1
	0411522	Stop - Tab Limit						1
48-11	0411523	Block - Elevator Tab Stop						3
	0411524	Bushing - Elevator Tab Stop						1
	AN503-8-12	Screw						1
48-12	AN155-8L	Barrel						1
48-13	AN3-5A	Bolt						1
	AN365-1032	Nut						1
48-14	0510105-8	Cable Assembly - Tab Cable - (Aft Down)						1
48-15	0510105-10	Cable Assembly - Tab Cable - (Aft Up)						1
48-16	NAS383-1	Pulley						1
	AN3-10A	Bolt						2
	0411491	Bushing						1
	AN960-416L	Washer						1
	AN365-1032	Nut						1
	NAS383-1	Pulley						1
48-17	AN960-10	Washer						2
	AN380-4-5	Pin - Cotter						2
	0411491	Bushing						2
	AN3-11A	Bolt						1
	AN960-416	Washer						1
48-18	AN365-1032	Nut						1
48-18	See Figure 14	Actuator - Tab						1

ORDER BY PART NUMBER AND NAME

SERIAL NUMBER AND COLOR IF APPLICABLE

ILLUSTRATED PARTS CATALOG

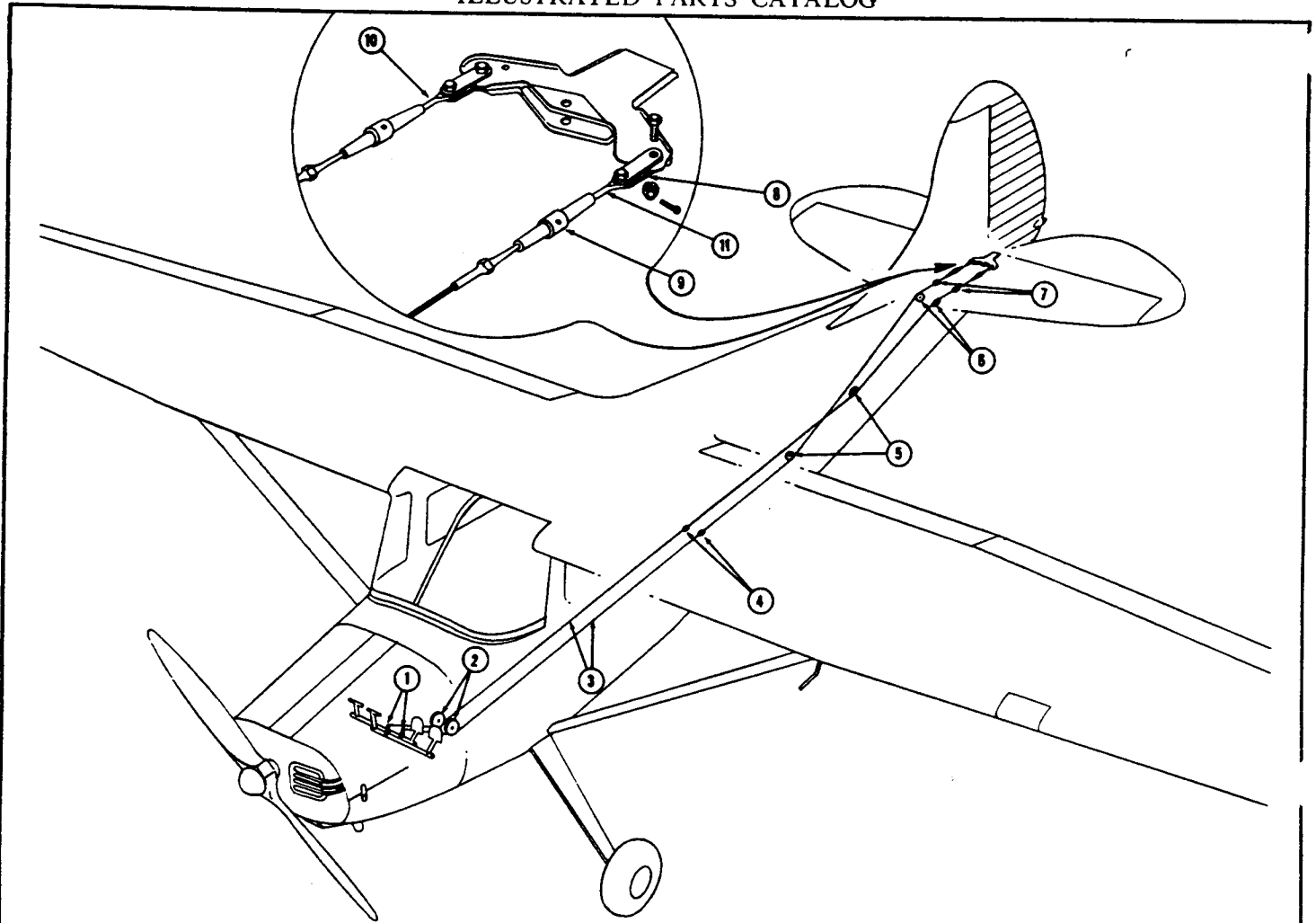


FIGURE 49 - RUDDER CONTROL SYSTEM

FIGURE AND REF. NO.	PART NUMBER	PART NAME						UNITS REQ'D ON MODEL
		1	2	3	4	5	6	
	0510103-9	Control System - Rudder (For Reference Only)						
49-1	AN23-10							2
	AN310-3							2
	AN380-2-3							2
49-2	AN114							2
49-3	NAS314-27-2247							2
49-4	0412006							2
49-5	NAS383-3							3
	AN4-10A							2
	0411489							2
	AN365-428							2
	AN380-2-4							2
49-6	NAS383-3							2
	0411421-2							2
	AN4-10A							2
	AN365-428							2
	0411489							2
49-7	0510120							2
49-8	AN155-32S							2
49-9	AN165-22S							1
49-10	AN165-22L							1
49-11	0310219-2							4
49-12	AN23-10							4
49-13	AN310-3							4
49-14	AN380-2-3							4

ORDER BY PART NUMBER AND NAME

SERIAL NUMBER AND COLOR IF APPLICABLE

OPTIONAL EQUIPMENT SECTION



ILLUSTRATED PARTS CATALOG

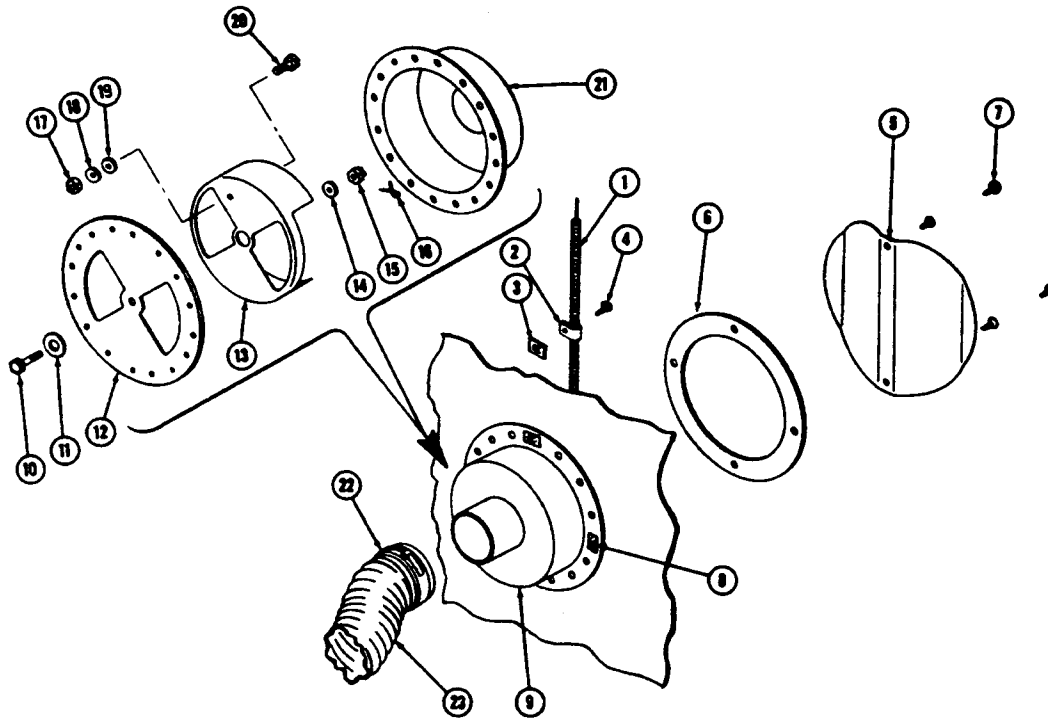


FIGURE 51 - CABIN MANIFOLD HEATER

FIGURE AND REF. NO.	PART NUMBER	PART NAME						UNITS REQ'D ON MODEL
		1	2	3	4	5	6	
		- Manifold Cabin Heater Installation (Cessna Drawing 0511105)						
51-1	0411096-4							1
51-2	A2980A-3							1
51-3	NAS446-4							1
51-4	PK76XZ-8-8							1
51-5	0411824							1
51-6	0411773							1
51-7	PK76XZ-8-8							1
51-8	NAS446-4							4
51-9	0450247							4
51-10	AN3-4							1
51-11	AN970-3							1
51-12	0450253							1
51-13	0450250							1
51-14	0450252							1
51-15	AN320-3							1
51-16	AN380-2-2							1
51-17	AN365-1032							1
51-18	AN960-10							1
51-19	AN960-10L							1
51-20	0450311							1
51-21	0450248							1
51-22	NAS397-32							1
51-23	0450320-16							2
								1

ORDER BY PART NUMBER AND NAME

SERIAL NUMBER AND COLOR IF APPLICABLE

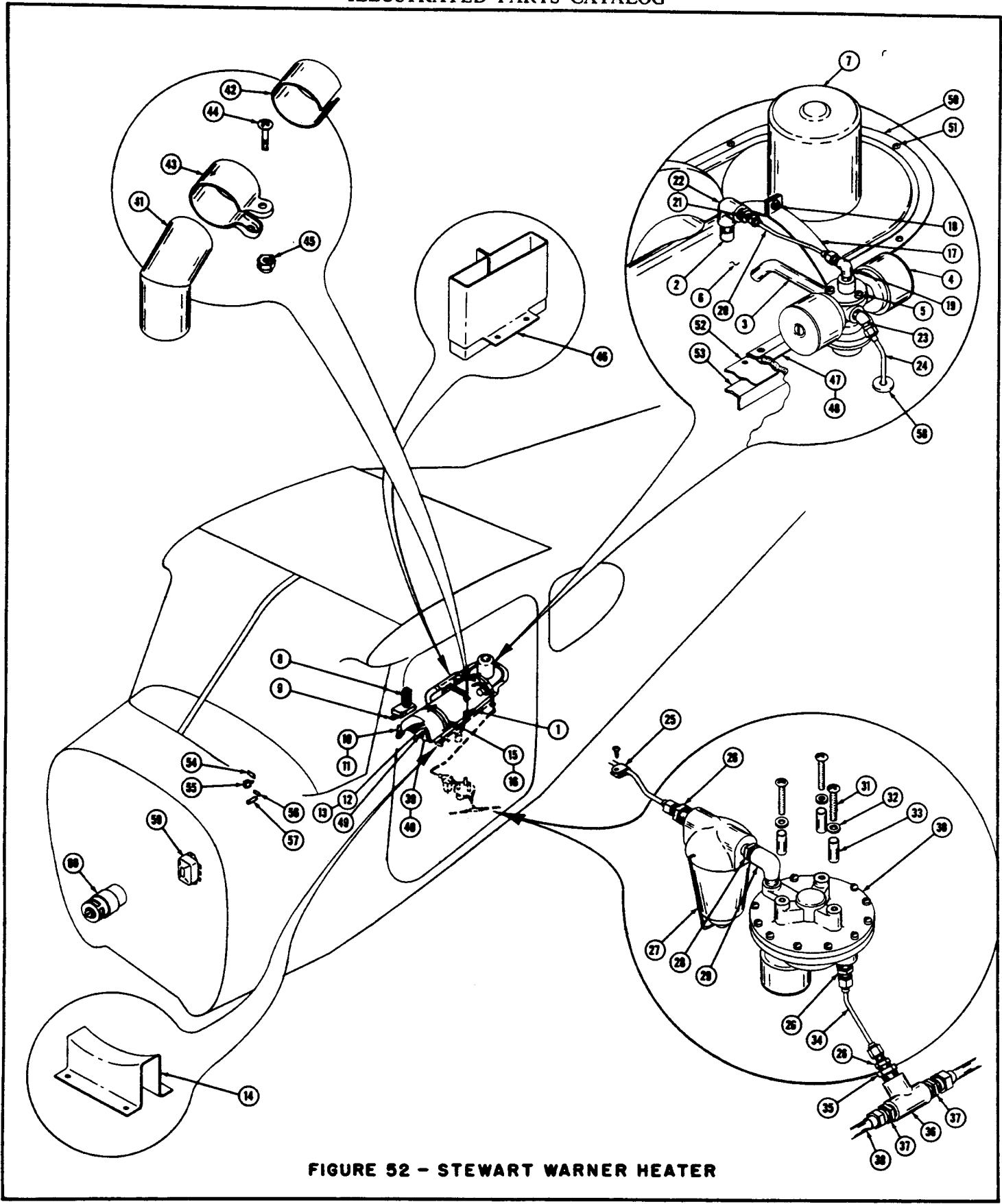


FIGURE 52 - STEWART WARNER HEATER

ILLUSTRATED PARTS CATALOG

FIGURE 52

OPTIONAL EQUIPMENT - STEWART WARNER HEATER

FIGURE AND REF. NO.	PART NUMBER	PART NAME						UNITS REQ'D ON MODEL
		1	2	3	4	5	6	
		Installation - Stewart Warner Heater (Cessna 0511231)						1
52-1	0511231-17	Heater Assembly						1
52-2	0511231-4	Standpipe						1
52-3	0511231-5	Drip Pipe						1
52-4	0511231-16	Valve Assembly - Fuel Control						1
52-5	0511231-3	Plate + Valve Adapter						1
52-6	0311779-2	Heater						1
52-7	485201	Blower Assembly* - (Stewart Warner)						1
52-8	0511231-12	Thermostat						1
52-9	PK76XZ-8-8	Screw - (Attach Thermostat)						3
	NAS446-4	Nut - (Attach Thermostat)						3
52-10	0511231-20	Deflector						1
52-11	PK76XZ-8-8	Screw - (Attach Deflector)						1
52-12	0511231-14	Deflector Assembly						1
52-13	PK76XZ-8-6	Screw - (Attach Deflector Assembly)						4
52-14	0311752-8	Bracket - Support						1
52-15	475229	Belting* - (Stewart Warner)						1
52-16	475232	Strap Assembly* - (Stewart Warner)						1
52-17	0511231-15	Clamp - Heater Mounting						1
52-18	AN526-1032R8	Screw - (Secure Clamp)						1
	AN365-1032	Nut - (Secure Clamp)						1
52-19	AN822-2D	Elbow						1
52-20	0500106-78	Fuel Line - (Solenoid Valve to Heater)						1
52-21	AN816-2D	Adapter						1
52-22	AN916-1D	Elbow						1
52-23	AN823-2D	Elbow						1
52-24	0500106-77	Fuel Line - (Solenoid Valve to Filter)						1
52-25	NAS434-D4	Clamp - (Attach Fuel Line)						1
	PK76XZ-8-6	Screw - (Attach Clamp)						1
52-26	AN816-2B	Adapter						3
52-27	0311752-30	Filter						1
52-28	AN911-1	Nipple						1
52-29	AN914-2	Elbow						1
52-30	G-485207	Valve* - Safety (Stewart Warner)						1
52-31	AN526-1032R20	Screw - (Attach Safety Valve)						3
52-32	3-481074	Washer* - Lock (Attach Safety Valve) (Stewart Warner)						3
52-33	NAS43-3-64	Spacer - (Attach Safety Valve)						3
52-34	0500106-76	Fuel Line - (Valve to Tee)						1
52-35	AN912-1D	Bushing						1
52-36	AN917-2D	Tee						1
52-37	AN816-6D	Adapter						2
52-38	0500106-75	Fuel Line - (Tee to Selector Valve)						1
52-39	0311796	Screen						1
52-40	PK76XZ-8-8	Screw - (Attach Screen)						2
52-41	0311752-5	Stack - Exhaust						1
52-42	0311752-10	Tape						1
52-43	AN741-D13	Clamp						1
52-44	AN3-5A	Bolt - (Attach Clamp)						1
52-45	AN365-1032	Nut - (Attach Clamp)						1
52-46	0511231-18	Duct						1
52-47	0311772-4	Retainer Strip - Carpet - Outboard						1
52-48	0311772-2	Retainer Strip - Carpet - Inboard						1
52-49	0311772-3	Retainer Strip - Carpet - Forward						1
52-50	0511231-22	Shield Assembly						1
	0511231-9	Channel - Rubber						1
52-51	PK76XZ-8-8	Screw - (Attach Shield and Retainers)						14
52-52	0511231-7	Doublers						1
52-53	0511231-6	Stiffener						1
52-54	0511231-10	Placard						1
52-55	AN3021-2	Switch						1
52-56	0511231-19	Placard						1
52-57	0411023-5	Fuse						1
52-58	AN931-299	Grommet						1
52-59	0311054-2	Voltage Regulator - 25 Amp.						1
52-60	0550144	Generator Assembly - 25 Amp.						1
	0500005-99	Wire - (Relay to Terminal Strip)						1
	0500005-100	Wire - (Terminal Strip to Fuse)						1
	0500005-101	Wire - (Terminal Strip to Fan Switch)						1
	0500005-102	Wire - (Terminal Strip to Thermostat)						1
	0500005-103	Wire - (Terminal Strip to Thermostat)						1
	0500005-104	Wire - (Terminal Strip to Safety Valve)						1
	0500005-105	Wire - (Terminal Strip to Control Switch)						1
NOTE: - Parts Marked * Are Stewart Warner Parts And All Replacement Spares Should Be Ordered From Stewart Warner								

ORDER BY PART NUMBER AND NAME

SERIAL NUMBER AND COLOR IF APPLICABLE

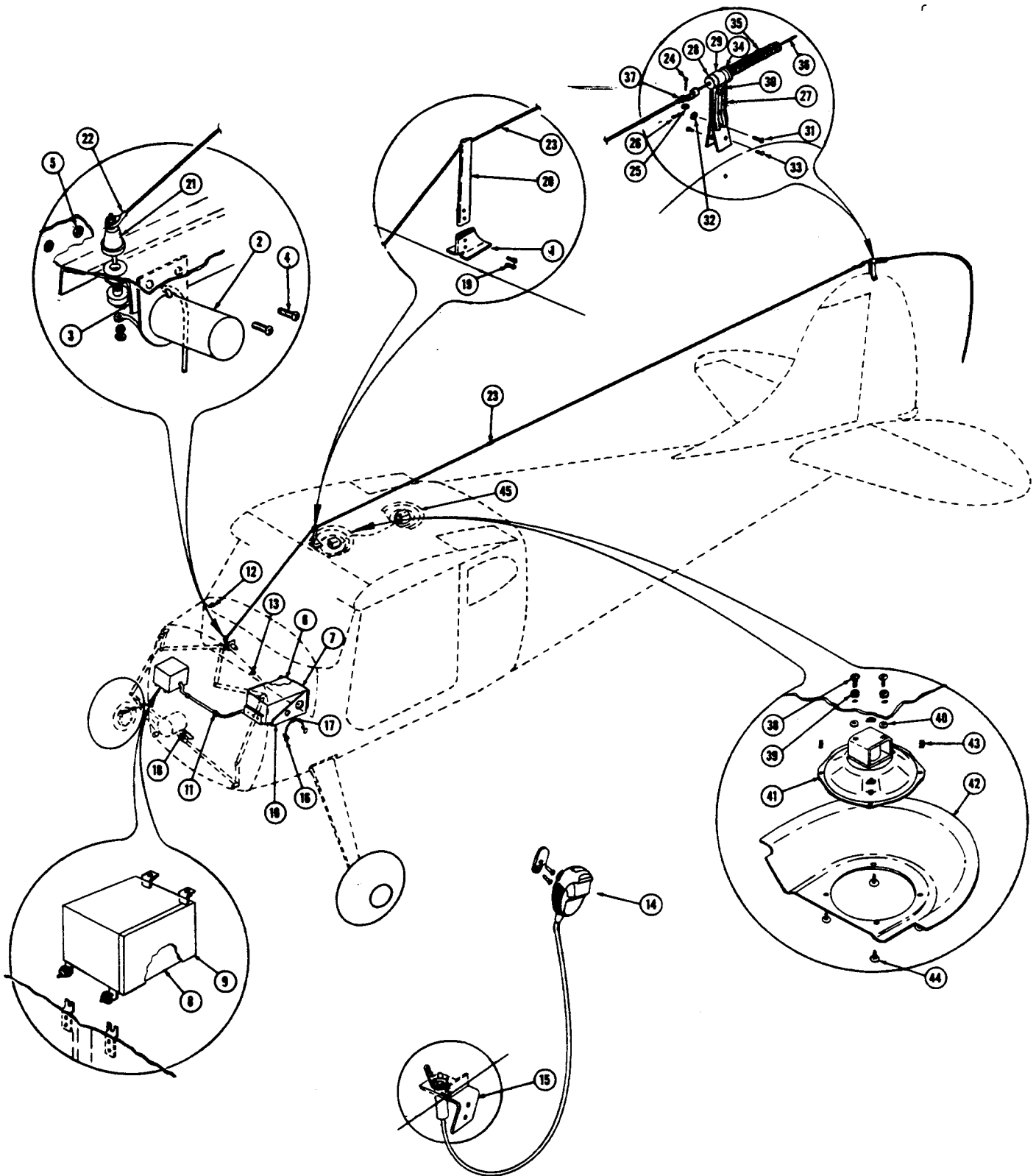


FIG. 53 - GENERAL ELECTRIC RADIO INSTALLATION

ILLUSTRATED PARTS CATALOG

FIGURE 53

OPTIONAL EQUIPMENT - G. E. RADIO

FIGURE AND REF. NO.	PART NUMBER	PART NAME							UNITS REQ'D ON MODEL
			1	2	3	4	5	6	
		Radio Installation - Complete (See Kits Below) (Cessna Print 0511005)							
53-1	See Figure 18	Bracket - Antenna Mast							1
53-2	041106	Antenna Load Coil - Model AS-2A-G.E.							1
53-3	See Figure 19	Bracket - Antenna Load Coil							1
53-4	AN526-832R6	Screw - (Attach Antenna Load Coil)							2
53-5	AN365-832	Nut							2
53-6	0411054-3	Radio - Model AS-2A-G.E. (Transmitter - Receiver)							1
53-7	0411054-2	Case - G.E. Radio - Model AS-2A							1
53-8	0511005-2	Power Supply - Model AS-2A-G.E.							1
53-9	0511005-7	Case - Power Supply - (G.E. Radio Model AS-2A)							1
53-10	0413124	Bracket - Radio Case Mount - Left							1
	0413124-1	Bracket - Radio Case Mount - Right							1
53-11	NAS437-2C	Band - (United Carr 49165-1)							2
	PK76XZ-8-8	Screw							2
	NAS446-4	Nut - (Tinnerman A1778-8Z-3)							2
53-12	0411065	Phone Jack							1
53-13	0411023-3	Fuse - 15 Amp							1
53-14	0411057-5	Microphone and Plug Assembly							1
53-15	0513023	Bracket - Microphone Mounting							1
53-16	0411063-3	Headphone							1
53-17	0511018	Hook - Headphone							1
53-18	0411081-1	Suppressor - Generator (1140-200VDC-.5 Mfd)							1
	AN742-10	Clamp							1
	AN526-832R8	Screw - (Attach Clamp)							1
	AN365-832	Nut							1
	0511005-6	Kit - Antenna - Complete							1
53-19	PK76XZ-10-6	Screw - (Attach Antenna Mast)							2
53-20	0411217	Mast - Antenna							1
53-21	0411067	Insulator - Antenna							1
53-22	AN659-5	Terminal							2
53-23	0511005-3	Wire - Antenna - (W-106A 235" Long)							1
53-24	AN393-7	Pin - Clevis							1
53-25	AN960-A10	Washer							1
53-26	AN380-2-1	Pin - Cotter							1
	0511005-5	Kit - Trailing Antenna							1
53-27	0311823	Mast Assembly - Trailing Antenna							1
53-28	0311824	Fairlead							1
53-29	AN735-9	Clamp							1
53-30	AN515-8R6	Screw - (Attach Clamp)							1
	AN364-832	Nut							1
53-31	AN526-6R-5	Screw							1
53-32	AN365-632	Nut							1
53-33	NAS455-163-4-4	Rivet - Cherry							4
53-34	0413174	Washer							2
53-35	0413175	Spring							1
53-36	0413236	Antenna - Trailing							1
53-37	AN659-5	Terminal							1
		Installation - Radio Speaker							1
53-38	AN526-832-5	Screw							2
53-39	AN970-3	Washer							2
53-40	0311001-27	Washer							2
53-41	0411062-1	Speaker - General Electric							1
53-42	0413238	Baffle - Radio Speaker							1
53-43	NAS446-4	Nut - (Tinnerman A1778-8Z-3)							4
53-44	PK76XZ-8-8	Screw							4
53-45		Speaker Installation - Rear Cabin (Cessna Print 0511011)							1
	5508	Switch - (Cole Hersee)							1
	0311819	Plate - Switch							1
	0500005-84	Wire - (Switch to Forward Speaker)							1
	0500005-83	Wire - (Switch to Aft Speaker)							1
	AN931-3-5	Grommet							1
	0411062-2	Speaker							1
	0511011-2	Baffle							1
	PK76XZ-8-8	Screw - (Attach Baffle to Speaker)							4
	NAS446-4	Nut - (Tinnerman A1778-8Z-3)							4
	AN526-832-5	Screw - (Attach Speaker to Skin)							2
	AN970-3	Washer - (Attach Speaker to Skin)							2
	0311001-27	Washer							2

ILLUSTRATED PARTS CATALOG

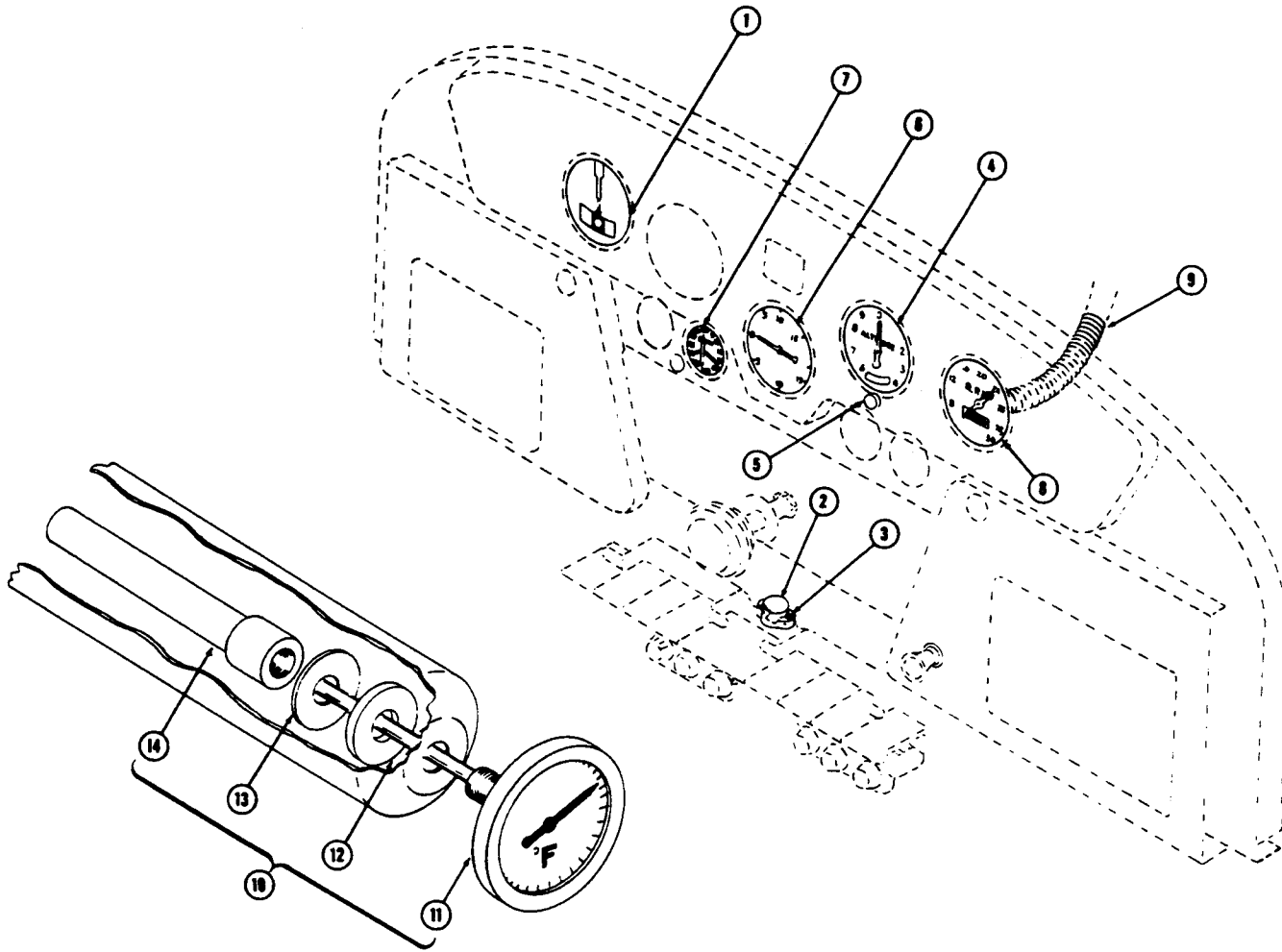


FIGURE 58 - OPTIONAL INSTRUMENTS

FIGURE AND REF. NO.	PART NUMBER	PART NAME						UNITS REQ'D ON MODEL
		1	2	3	4	5	6	
58-1	0411085-1	Installation	-	Turn and Bank				1
58-2	CA-2	Indicator	-	Turn and Bank				1
58-3	AN515-8R12	Circuit Breaker	-	(Klixon) 2 Ampere				1
	AN340-8	Screw	-	(Attach Circuit Breaker)				2
	AN936A6	Nut	-	(Attach Circuit Breaker)				2
	0500007-4	Washer	-	(Attach Circuit Breaker)				2
	0500007-15	Wire	-	(Ground to Turn and Bank Indicator)				1
	0500007-15	Wire	-	(Switch to Turn and Bank Indicator)				1
58-4	0411084-2	Altimeter	-	Sensitive - (Special Dial)				1
58-5	0413269	Knob	-	Altimeter Extension				1
58-6	0411088-1	Indicator	-	Vertical Speed				1
58-7	AN5743L1	Clock						1
58-8	0411087-9	Tachometer	-	Recording - (Stewart Warner)				1
58-9	0450017-7	Shaft	-	Tachometer Drive				1
58-10	0411078-1	Gage Assembly	-	Outside Air Temperature				1
58-11		Gage	-	(Not Available As Separate Item)				1
58-12		Gasket	-	Rubber (Not Available As Separate Item)				1
58-13		Washer	-	(Not Available As Separate Item)				1
58-14		Shield	-	(Not Available As Separate Item)				1

ORDER BY PART NUMBER AND NAME

SERIAL NUMBER AND COLOR IF APPLICABLE

ILLUSTRATED PARTS CATALOG

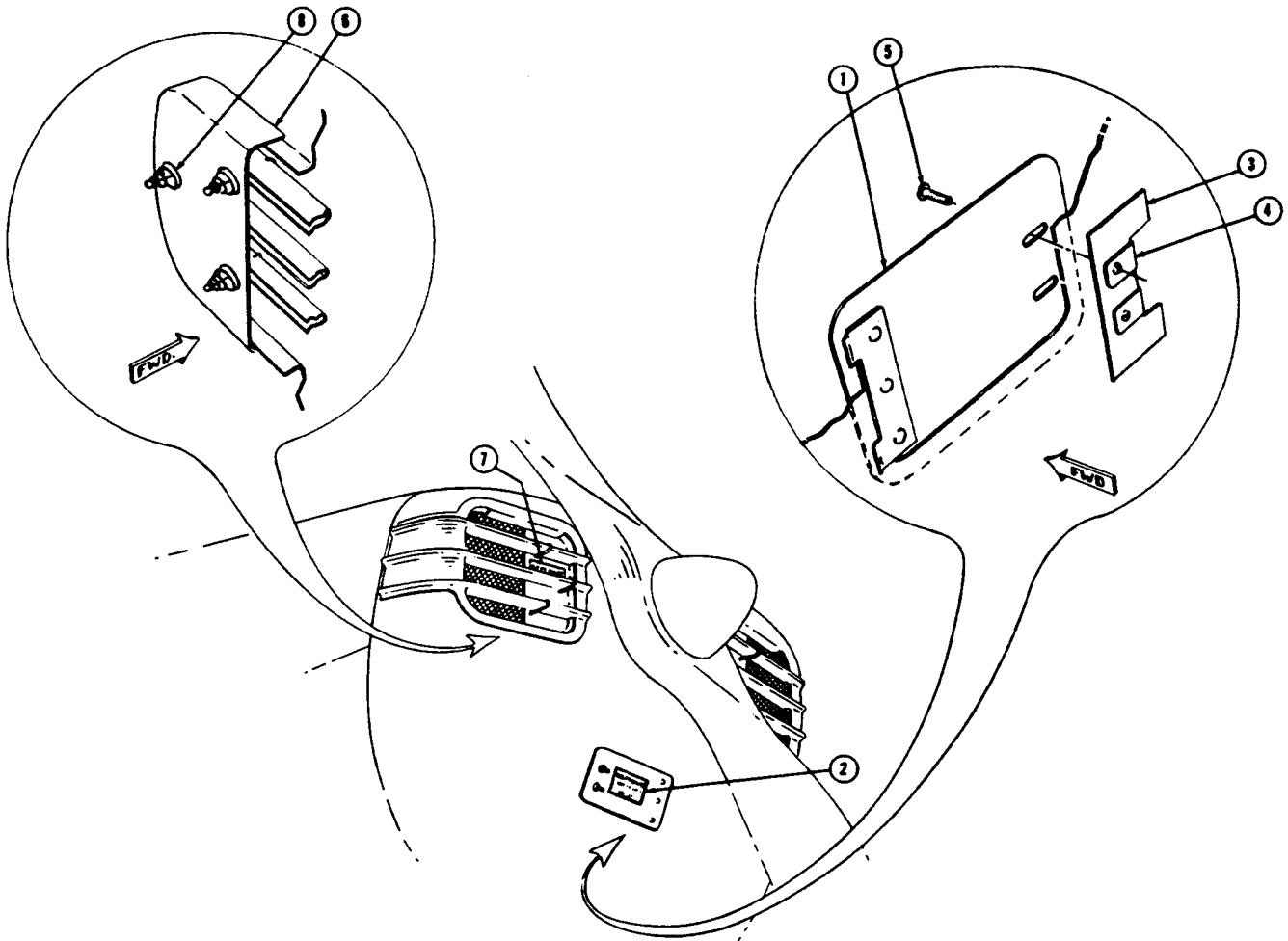


FIGURE 59 - WINTERIZATION KIT

FIGURE AND REF. NO.	PART NUMBER	PART NAME						UNITS REQ'D ON MODEL
		1	2	3	4	5	6	
	52-3-828	Kit - Winterization Equipment (Cessna Print 0552100)						1
59-1	0552104	Plug Assembly - Nose Cowl Vent						1
59-2	0552103	Decal - Winterization						1
59-3	0552104-5	Plate - Retainer						1
59-4	NAS395-14-3	Nut - (Tinnerman A1274-82-3)						1
59-5	PK76XZ-8-6	Screw						2
59-6	0552101	Cover Assembly - Cowl Grill Winterization						2
59-7	0552105	Decal - Winterization						2
59-8	0452166	Fastener - Grill Winterization Cover						2
	0550148	Cover - Muff (Optional for Extreme Cold Weather Operations) (Not Illustrated)						2

ORDER BY PART NUMBER AND NAME

SERIAL NUMBER AND COLOR IF APPLICABLE

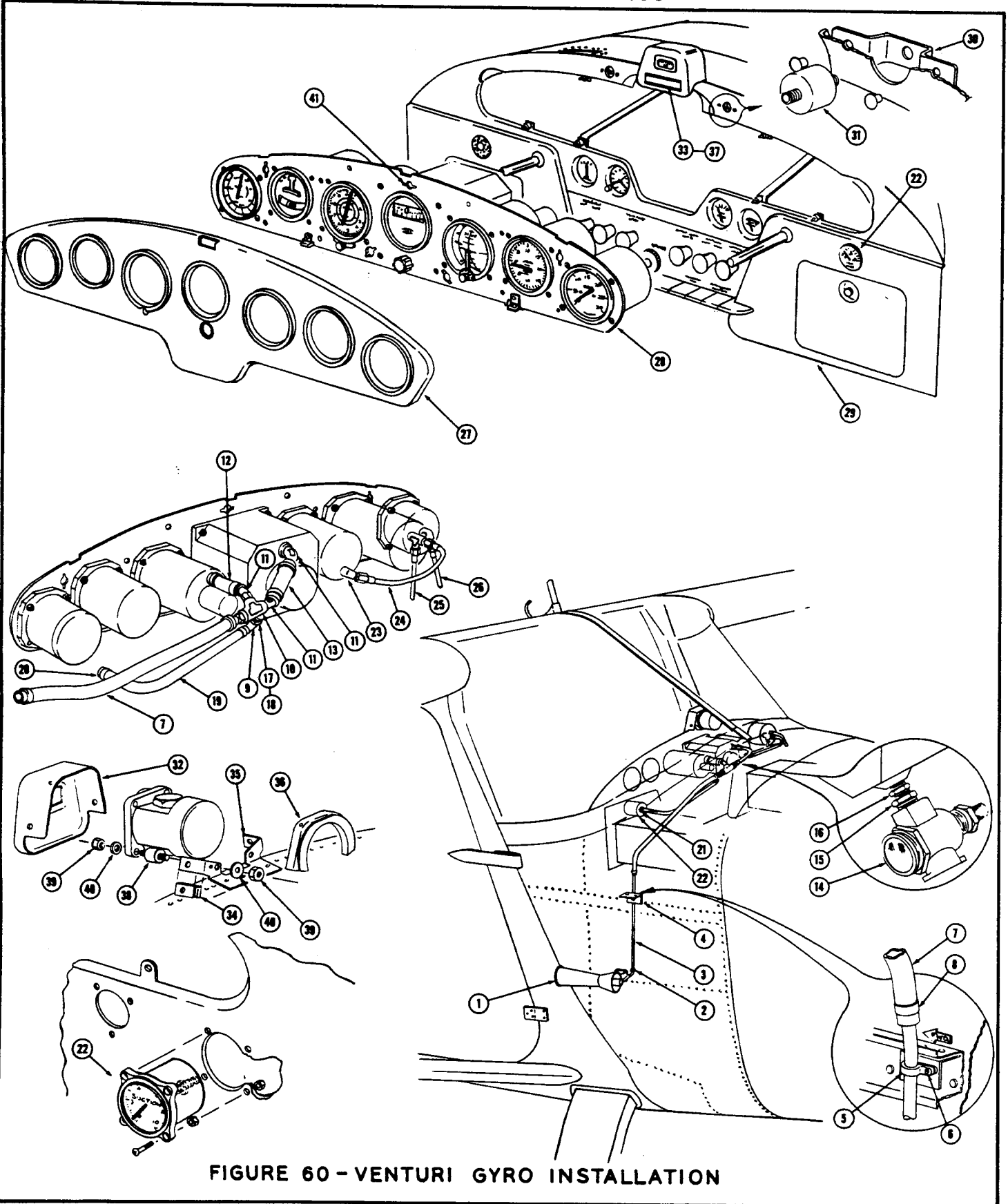


FIGURE 60 - VENTURI GYRO INSTALLATION

ILLUSTRATED PARTS CATALOG

FIGURE 60

OPTIONAL EQUIPMENT - VENTURI GYRO INSTALLATION

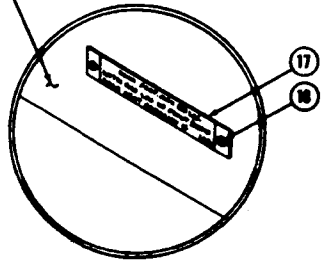
FIGURE AND REF. NO.	PART NUMBER	PART NAME						UNITS REQ'D ON MODEL
		1	2	3	4	5	6	
		Installation Kit - Venturi Gyro - (Less Gyro Instruments) (Cessna 0511010-2)						1
60-1	AN5807-1							1
	AN526-1032R10							4
	AN365-1032							4
60-2	AN822-6D							1
60-3	0500106-58							1
60-4	0310007-3							1
60-5	A3046-6							1
60-6	AN526-832R7							1
	AN365-832							1
60-7	AN884-6-68							1
60-8	NAS397-12							6
60-9	AN840-6D							1
60-10	AN917-2D							1
60-11	AN844-6D							1
60-12	AN884-6-11							3
60-13	AN884-6-13							1
60-14	0513120							1
60-15	AN912-2D							1
60-16	AN911-2D							1
60-17	AN912-1D							1
60-18	AN844-4D							1
60-19	AN884-4-56							1
60-20	NAS397-10							2
60-21	AN840-4D							1
60-22	0311057-1							1
60-23	AN823-4D							1
60-24	0500106-56							1
60-25	0500106-47							1
60-26	0500106-48							1
60-27	0513026							1
60-28	0513025							1
60-29	0513114-2							1
60-30	0511010-4							2
60-31	0411059-1							2
	AN340B8							4
	AN936A8							4
	0511010-50							1
60-32	0511010-8							1
60-33	0513020							1
60-34	NAS395-3-3							2
	PK76XZ-6-8							2
	PK76XZ-4-5							2
60-35	0511010-6							1
60-36	0511010-12							1
60-37	0513012							1
60-38	0411059-1							2
60-39	AN340B8							4
60-40	AN936A8							4
60-41	0411035-1							1
	0511060							1

ORDER BY PART NUMBER AND NAME

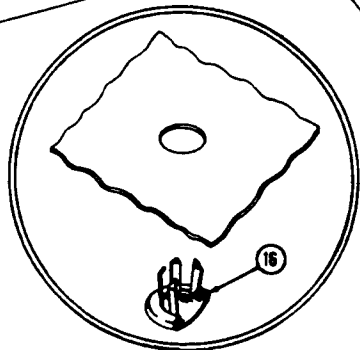
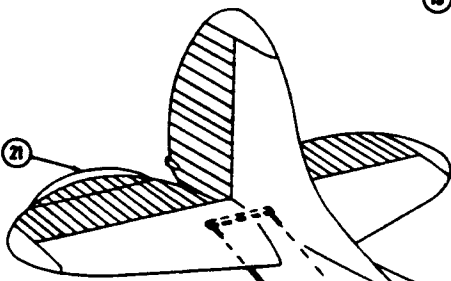
SERIAL NUMBER AND COLOR IF APPLICABLE

FUSELAGE REINFORCEMENT DETAIL
STA. 90.00

REAR SEAT SKIRT (REF.)



BAGGAGE PLACARD



DRAIN GROMMET

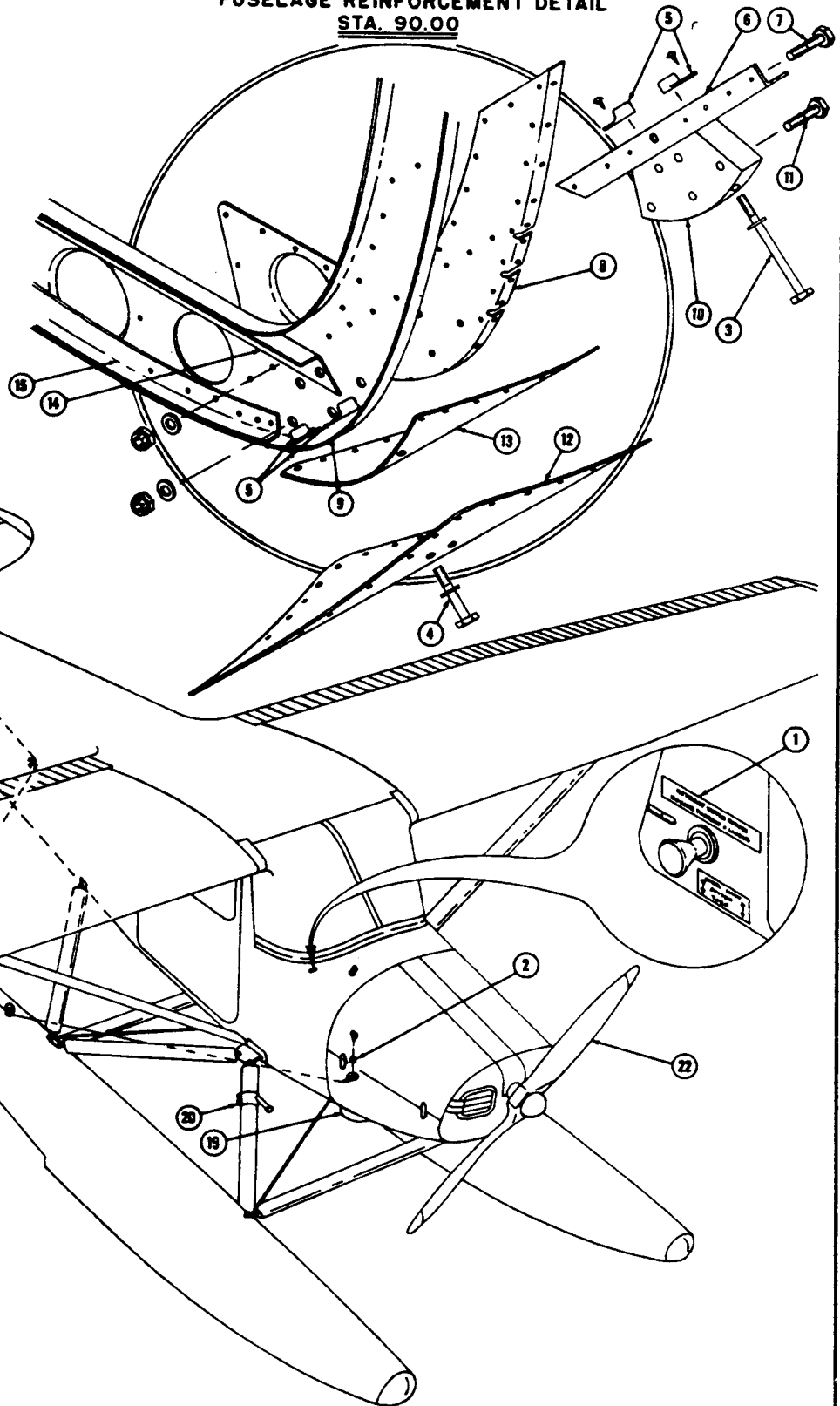


FIGURE 61 - FLOATPLANE FITTINGS

ILLUSTRATED PARTS CATALOG

FIGURE 61

OPTIONAL EQUIPMENT - FLOATPLANE FITTINGS

FIGURE AND REF. NO.	PART NUMBER	PART NAME						UNITS REQ'D ON MODEL
		1	2	3	4	5	6	
		Floatplane Fitting Installation (Cessna Furnished Parts) (Cessna 0541125)						1
61-1	0341007							1
61-2	0412006							1
61-3	AN5-32A							4
61-4	AN5-13A							4
	AN960-516							8
61-5	22A3-054							8
	PK76KZ-4-4							8
61-6	0541131							1
	0541131-1							1
61-7	AN3-4A							2
	AN365-1032							2
61-8	0541132							1
	0541132-1							1
61-9	0541128							2
61-10	0541129							2
61-11	AN4-12A							10
	AN960-416							10
	AN365-428							10
61-12	0341118							2
61-13	0541126							2
61-14	0541130							2
61-15	0541127							2
61-16	0422342							32
61-17	0541134							1
61-18	PK76KZ-4-6							2
61-19	0552001-60							1
	AN515-8R5							14
	AN365-832							14
61-20	0541137							2
	AN3-4A							4
	AN960-10							4
	AN365-1032							4
61-21	0541135-2							1
61-22	See Figure 64	Propeller						1
		Stainless Steel Cables						1
	0510105-101	Cable - Rudder - Stainless Steel						2
	0510105-107	Cable - Tab - Forward - Chain to Disconnect - Stainless Steel						1
	0510105-108	Cable - Tab - Aft - Chain to Turnbuckle - Stainless Steel						1
	0510105-109	Cable - Tab - Forward - Chain to Turnbuckle - Stainless Steel						1
	0510105-110	Cable - Tab - Aft - Chain to Disconnect - Stainless Steel						1
	0510105-111	Cable - Flap - Turnbuckle to Bellcrank - Stainless Steel						2
	0510105-112	Cable - Aileron - Direct - Stainless Steel						2
	0510105-113	Cable - Aileron - Carry Thru - Stainless Steel						1
	0510105-114	Cable - Flap - Handle to Turnbuckle - Stainless Steel						1
	0510105-115	Cable - Elevator - Short						1
	0510105-104	Cable - Elevator - Long						1

ORDER BY PART NUMBER AND NAME

SERIAL NUMBER AND COLOR IF APPLICABLE

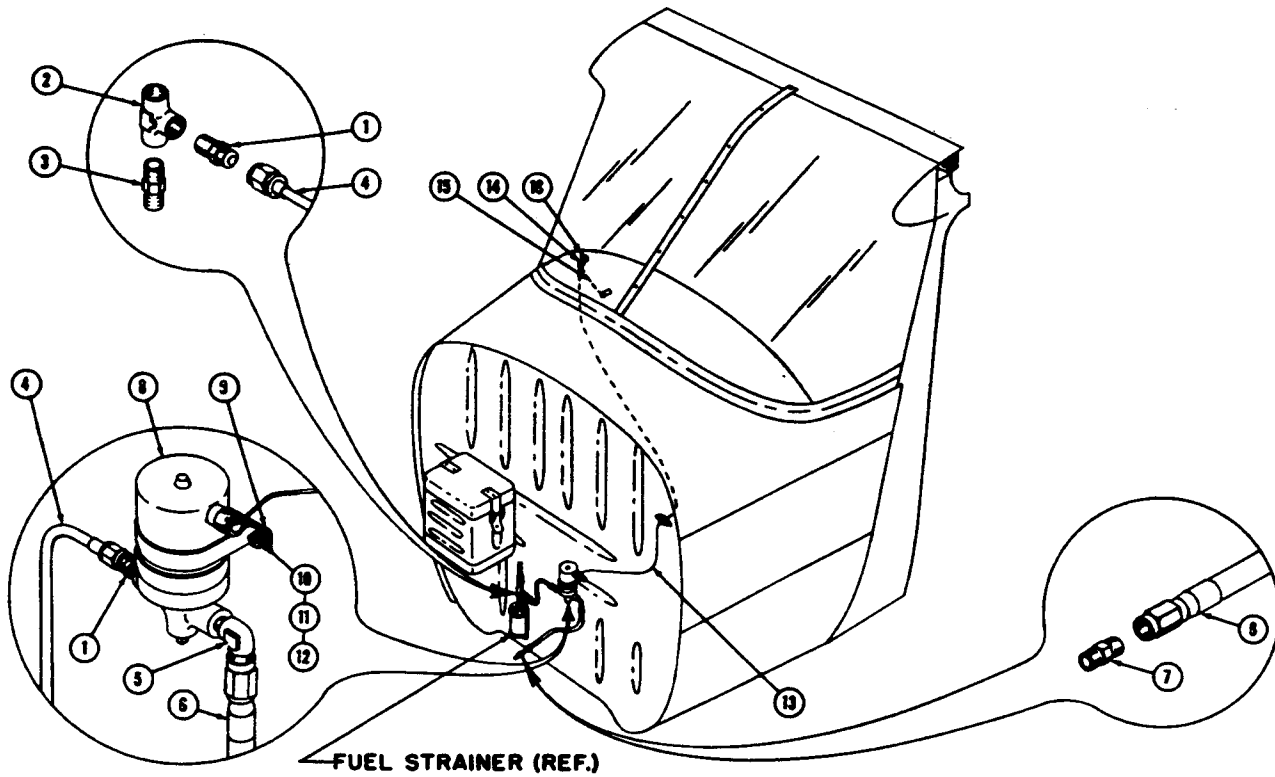


FIGURE 62 - OIL DILUTION SYSTEM

FIGURE AND REF. NO.	PART NUMBER	PART NAME						UNITS REQ'D ON MODEL
		1	2	3	4	5	6	
62-1	AN816-4D	Oil Dilution (Cessna 0550151)						1
62-2	AN917-1D	Nipple						2
62-3	AN911-1D	Tee						1
62-4	AN911-1D	Nipple						1
62-4	0500106-74	Fuel Line						1
62-5	AN822-4D	Elbow						1
62-6	AN6271-4D-10	Hose Assembly						1
62-7	AN816-4D	Nipple						1
62-8	AN4078-1	Valve - Solenoid						1
62-9	A2980A-32	Clamp						1
62-10	AN3-5A	Bolt						2
62-11	AN960-10L	Washer						2
62-12	AN365-1032	Nut						2
62-13	0500005-96	Wire - (Solenoid Valve to Switch)						1
62-14	0511063	Switch						1
62-15	0500005-95	Wire - (Switch to Fuse)						1
62-16	0550152	Placard - Oil Dilution						1

ORDER BY PART NUMBER AND NAME

SERIAL NUMBER AND COLOR IF APPLICABLE

ILLUSTRATED PARTS CATALOG

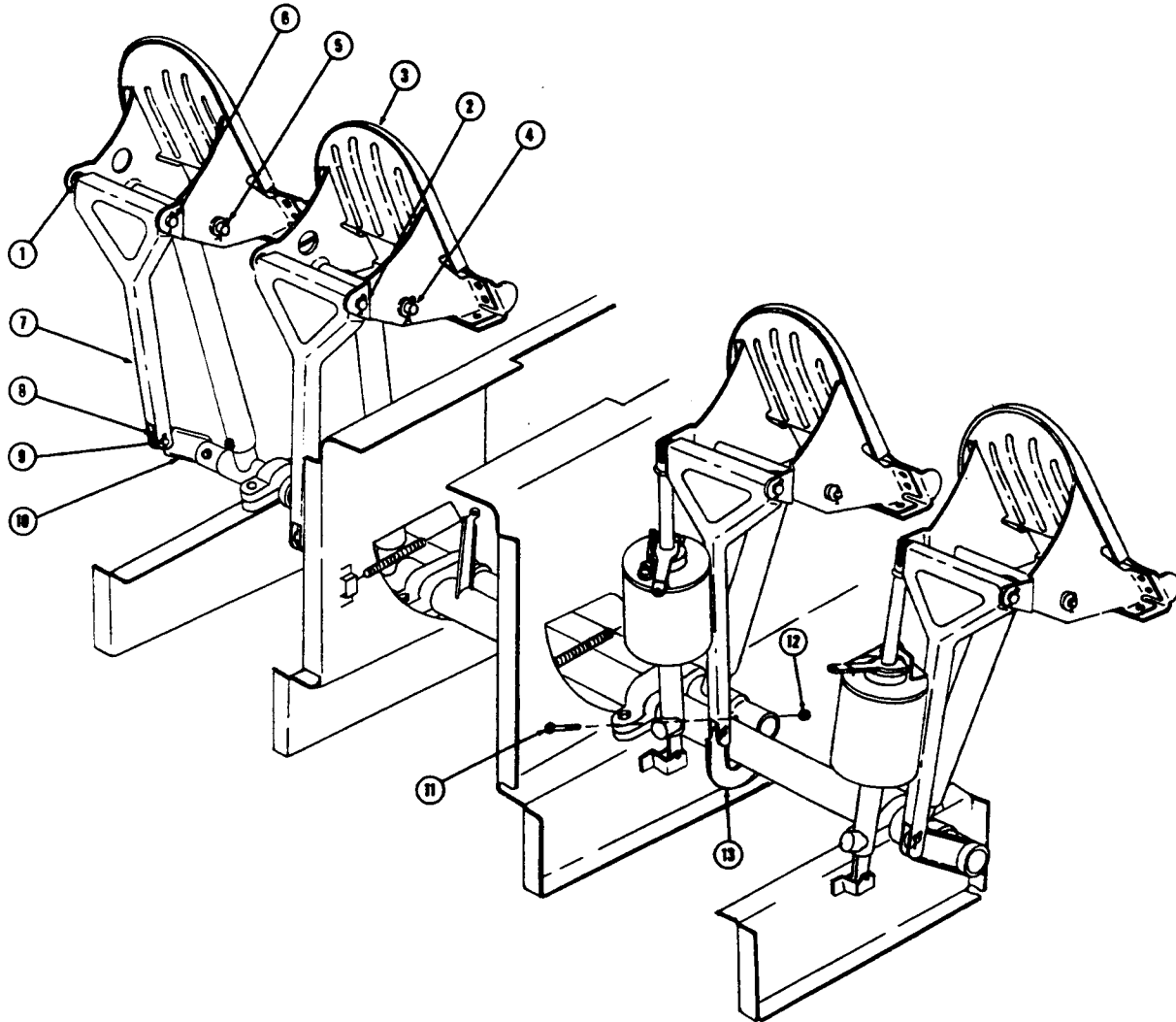


FIGURE 63 - DUAL BRAKES

FIGURE AND REF. NO.	PART NUMBER	PART NAME						UNITS REQ'D ON MODEL
		1	2	3	4	5	6	
		Installation - Dual Brakes Conversion						
63-1	NAS42-6-8							1
63-2	AN380-2-2							2
63-3	0310452							12
	0510150							2
63-4	AN380-3-4							2
63-5	0411369-2							8
63-6	0411778-2							2
63-7	0411564							2
63-8	NAS43C-3-12							2
63-9	AN393-13							4
63-10	0411563							4
63-11	AN3-10A							3
63-12	AN365-1032							4
63-13	0411573							4
								1

ORDER BY PART NUMBER AND NAME

SERIAL NUMBER AND COLOR IF APPLICABLE

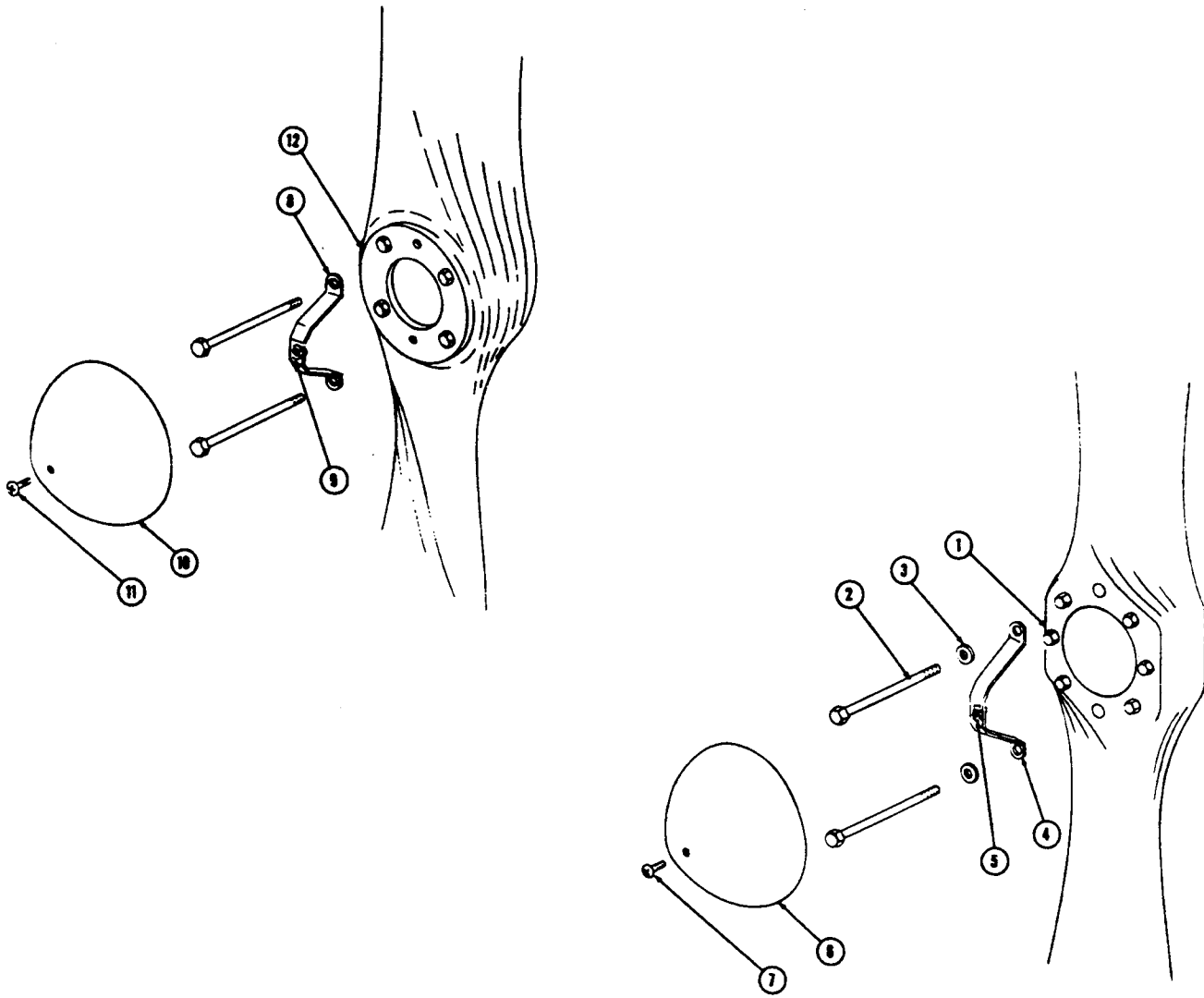


FIGURE 64 - PROPELLER INSTALLATION

FIGURE AND REF. NO.	PART NUMBER	PART NAME						UNITS REQ'D ON MODEL
		1	2	3	4	5	6	
64-1	0411098-6	Propeller - Fixed Pitch Metal (Maximum Cruising)						1
	0411098-8	Propeller - Fixed Pitch Metal (Maximum Take-Off)						1
	0411098-10	Propeller - Fixed Pitch Metal (Seaplane Climb)						1
	0411098-11	Propeller - Fixed Pitch Metal (Seaplane Cruise)						1
64-2	AN6H-37	Bolt - (Attach Propeller)						1
64-3	AN960-616L	Washer						8
		Installation - Propeller Spinner (Metal Propeller)						8
64-4	0550147	Bracket Assembly - Propeller Spinner						1
64-5	AN366P-832	Nut Plate						1
64-6	0550101-3	Spinner - Propeller - McCauley						1
64-7	AN526-8R10	Screw - (Attach Spinner)						1

ILLUSTRATED PARTS CATALOG

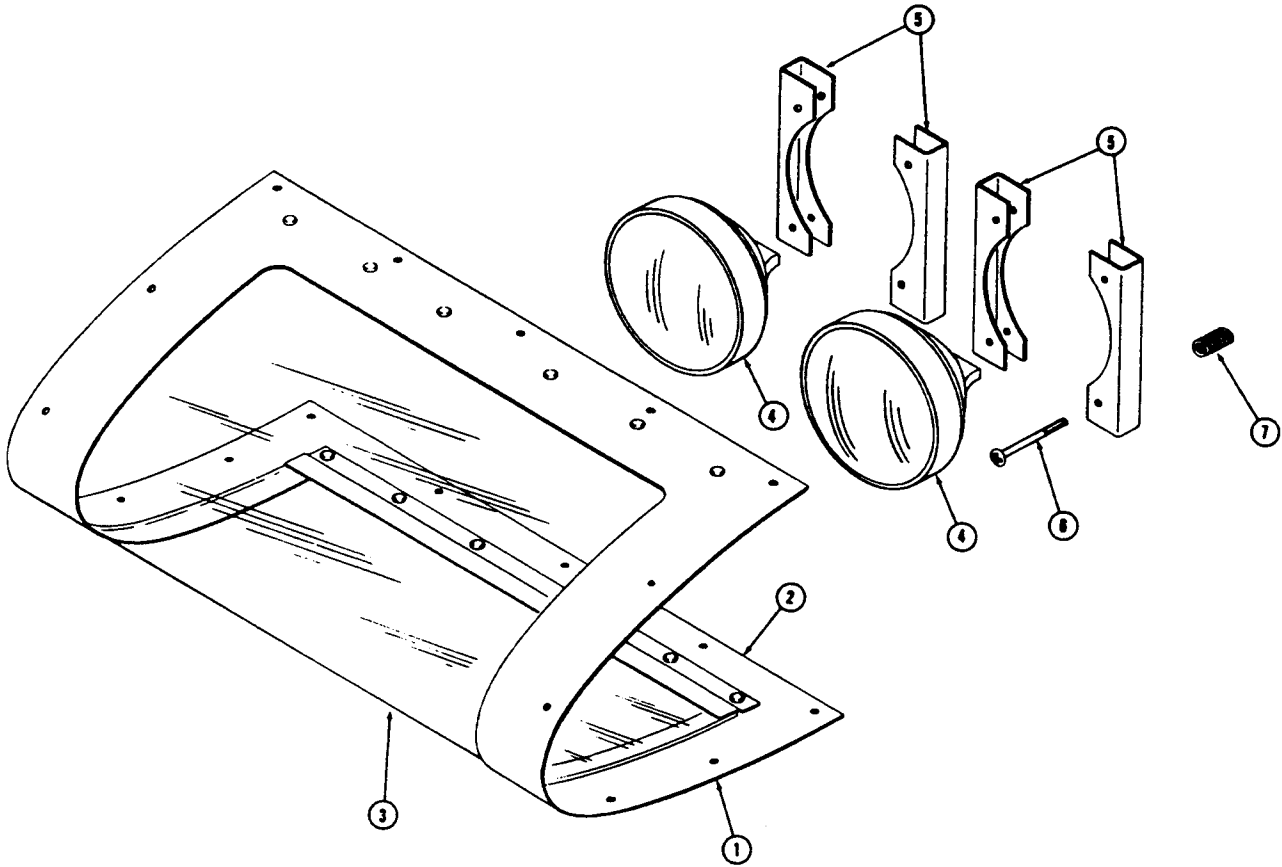


FIGURE 65 - LANDING LIGHT KIT

FIGURE AND REF. NO.	PART NUMBER	PART NAME						UNITS RQ'D ON MODEL
		1	2	3	4	5	6	
		Landing Light						
65-1	0523115							1
65-2	0523115-3							1
65-3	0523115-5							3
65-4	0523118-1							1
65-5	0523117							2
65-6	AN526-832R26							4
65-6	AN526-832R26							8
65-7	0523116							8

ORDER BY PART NUMBER AND NAME

SERIAL NUMBER AND COLOR IF APPLICABLE

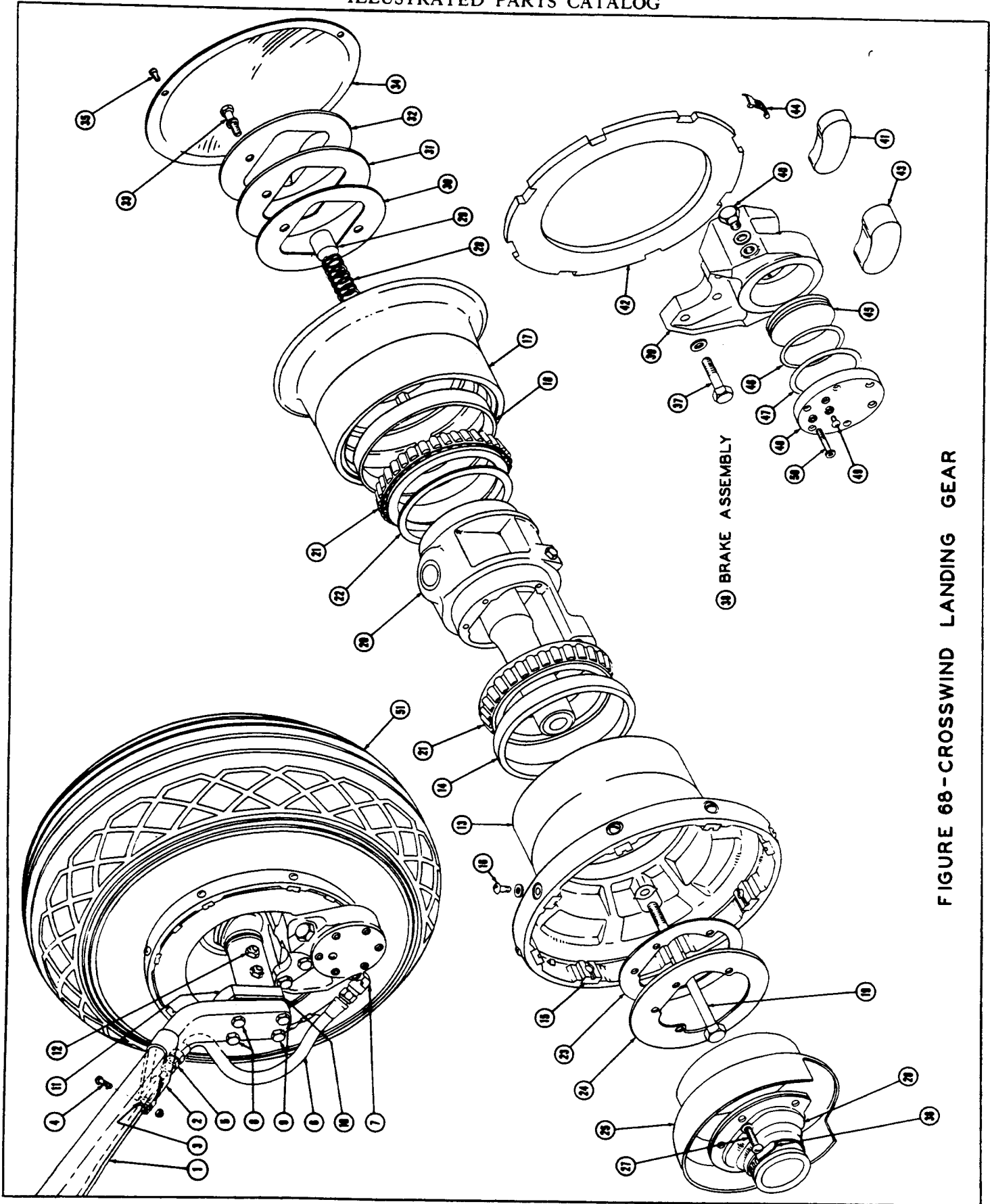


FIGURE 68-CROSSWIND LANDING GEAR

ILLUSTRATED PARTS CATALOG

FIGURE 68

OPTIONAL EQUIPMENT - CROSSWIND LANDING GEAR

FIGURE AND REF. NO.	PART NUMBER	PART NAME						UNITS REQ'D ON MODEL
		1	2	3	4	5	6	
68-1	0500106-52	Wheel Installation - Crosswind Landing (Cessna Drawing 0541150)						1
	0500106-53	Line Assembly - Brake - Left						1
68-2	0441150-4	Line Assembly - Brake - Right						1
68-3	0441119	Clamp - Brake Line						1
68-4	AN526-832R10	Hose - Brake Line Protector						2
	AN365-832	Screw - (Attach Brake Line Clamp)						2
68-5	AN815-4D	Nut						2
68-6	AN815-4D	Union						2
68-7	AN6260-4D-10	Hose - Flexible						2
	AN776-4D	Elbow						2
	AN775-4	Bolt						2
	AN901-4C	Gasket						2
68-8	AN5H-12	Bolt - (Two Top Holes)						2
	AN960-516	Washer - (Rear Bolt Only)						4
68-9	AN76-11	Bolt - (Two Bottom Holes)						2
	AN960-616L	Washer - (Rear Bolt Only)						4
68-10	0541111	Shim - Landing Gear - (See Installation Instructions)						2
68-11	0441150-2	Collar - Axle Attachment - Left						AR
	0441150-3	Collar - Axle Attachment - Right						1
68-12	0441151	Bolt - Axle Attachment Collar						1
	AN364-624	Nut						4
	AN960-616L	Washer						4
	0541116	Wheel and Brake Assembly - Crosswind Landing Gear - Left						1
	0541116-1	Wheel and Brake Assembly - Crosswind Landing Gear - Right						1
	0541116-2	Wheel Assembly - Left						1
	0541116-3	Wheel Assembly - Right						1
68-13	0541116-4	Wheel Sub Assembly - Inboard Half						1
68-14	0541116-5	Cup - Bearing						1
68-15	0541116-6	Key - Disc Drive						1
68-16	0541116-7	Screw - Key Retainer						8
	AN960-416L	Washer						8
68-17	0541116-8	Wheel Sub Assembly - Outboard Half						8
68-18	0541116-9	Cup - Bearing						1
68-19	AN4-45A	Bolt - (Attach Wheel Halves Together)						1
	AN960-416	Washer						4
	AN365-428	Nut						4
68-20	0541116-10	Hub and Axle Sub Assembly						4
68-21	0541116-11	Cone - Bearing						1
68-22	0541116-12	Shim - Pack						2
68-23	0541116-13	Plate - Inboard Bearing Seal Gasket						1
68-24	0541116-14	Gasket - Bearing Seal						1
68-25	0541116-15	Plate - Deflector - Right						1
	0541116-16	Plate - Deflector - Left						1
68-26	0541116-17	Bolt - Axle						1
68-27	AN515-6-8	Screw - (Attach Deflector Plate)						1
	AN936A6	Washer - Lock						3
68-28	0541116-18	Spring - Stabilizer Brake						3
68-29	0541116-19	Lining - Stabilizer Brake						1
68-30	0541116-20	Plate - Stabilizer Cap Gasket						1
68-31	0541116-21	Gasket - Cap						1
68-32	0541116-22	Cap - Stabilizer						1
68-33	AN74A5	Bolt - (Attach Stabilizer Cap)						1
	AN935-416	Washer - Lock						2
68-34	0541116-23	Fairing - Wheel						2
68-35	AN515-6-4	Screw - (Attach Wheel Fairing)						1
	AN936A6	Washer - Lock						3
68-36	0541116-24	Clamp						3
68-37	AN75A10	Bolt - (Attach Brake to Wheel)						1
	AN960-516	Washer						3
68-38	0541116-26	Brake Assembly - Left						3
	0541116-25	Brake Assembly - Right						1
68-39	0541116-28	Housing - Brake - Left						1
	0541116-27	Housing - Brake - Right						1
68-40	0541116-29	Plug - Inlet						1
	AN902-4	Gasket - Inlet						1
68-41	0541116-30	Lining - Brake Stationary						1
68-42	0541116-31	Disc - Rotating Brake						1
68-43	0541116-32	Lining - Brake Piston Side						1
68-44	0541116-33	Clip - Anti Rattle						1
68-45	0541116-34	Piston - Brake						4
68-46	AN6230-2	Seal - Piston						1
68-47	AN6230-3	Seal - Cylinder Head						1
68-48	0541116-35	Cylinder Head - Brake						1
68-49	AN505-8R5	Screw - Bleeder						1
	0541116-36	Seal - Bleeder Screw						1

ORDER BY PART NUMBER AND NAME

SERIAL NUMBER AND COLOR IF APPLICABLE



ILLUSTRATED PARTS CATALOG

FIGURE 68 OPTIONAL EQUIPMENT - CROSSWIND LANDING GEAR (CONTINUED)

FIGURE AND REF. NO.	PART NUMBER	PART NAME						UNITS REQ'D ON MODEL
		1	2	3	4	5	6	
68-50	#10 - 24NC					Screw + (Flat Head Socket Cap)		6
	AN936C10					Washer		6
68-51	6.00 x 6					Tire - Aircraft - 4 Ply		1
	6.00 x 6					Tube - Aircraft		1
	0441150-6					Special Assembly - Crosswind Landing Gear - Left *NOTE: The Above Consists of 0541116 Wheel and Brake Assembly Plus 0441150-2 Axle Collar		1
	0441150-7					Special Assembly - Crosswind Landing Gear - Right *NOTE: The Above Consists of 0541116-1 Wheel and Brake Assembly Plus 0441150-3 Axle Collar		1

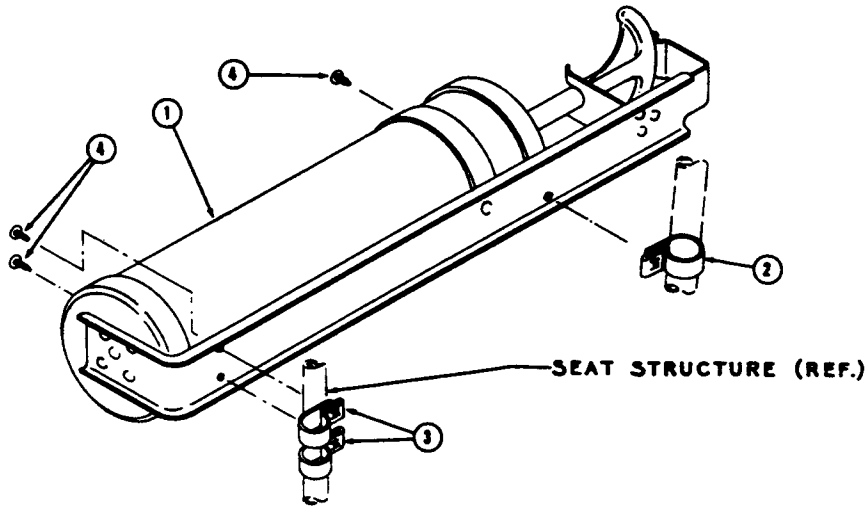


FIGURE 69 - FIRE EXTINGUISHER INSTALLATION

FIGURE AND REF. NO.	PART NUMBER	PART NAME						UNITS REQ'D ON MODEL
		1	2	3	4	5	6	
69-1	0511103					Installation Kit - Fire Extinguisher		1
69-2	0511103-2					Fire Extinguisher and Bracket Assembly		1
69-3	NAS434-D10					Clamp - (Tinnerman 2981A-10)		1
69-4	NAS434-D8					Clamp - (Tinnerman 2981A-8)		2
	FK76X2-8-8					Screw		3

ORDER BY PART NUMBER AND NAME

SERIAL NUMBER AND COLOR IF APPLICABLE

ILLUSTRATED PARTS CATALOG

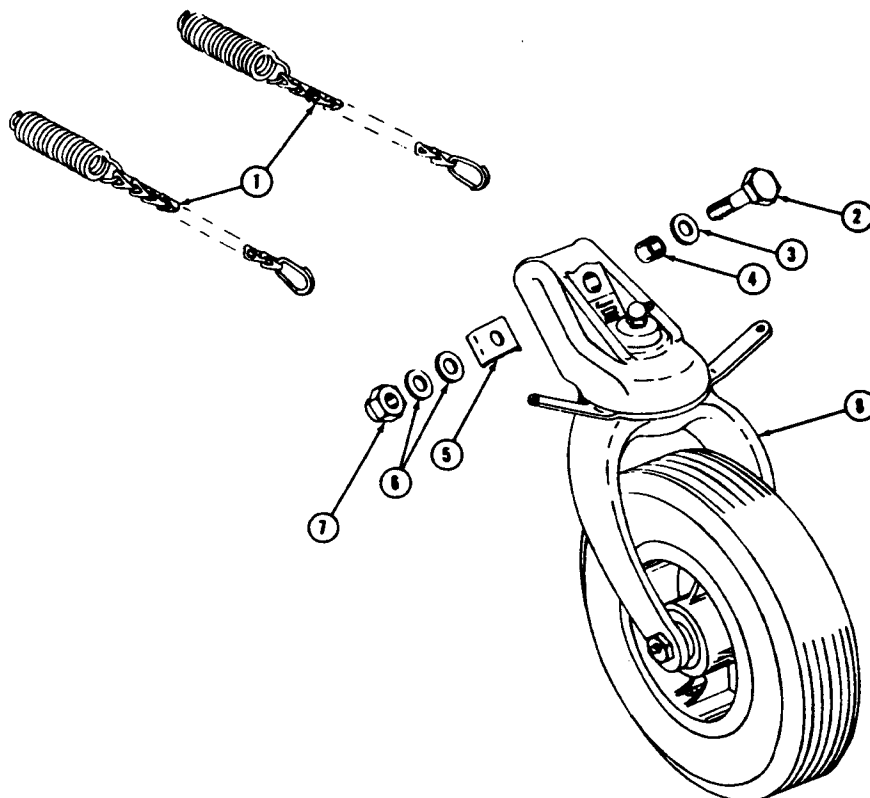


FIGURE 70 - PNEUMATIC TAILWHEEL

FIGURE AND REF. NO.	PART NUMBER	PART NAME						UNITS REQ'D ON MODEL
		1	2	3	4	5	6	
		Installation - Pneumatic Tailwheel (Cessna 0442011)						1
70-1	0542110-11	Spring and Connector Assembly						2
70-2	AN7-20A	Bolt						1
70-3	AN960-816	Washer						1
70-4	0442011-2	Bushings						1
70-5	0442011-3	Spacer						1
70-6	AN960-716	Washer						2
70-7	AN365-720	Nut						1
70-8	0442010	Wheel and Fork Assembly - Pneumatic						1

ORDER BY PART NUMBER AND NAME

SERIAL NUMBER AND COLOR IF APPLICABLE

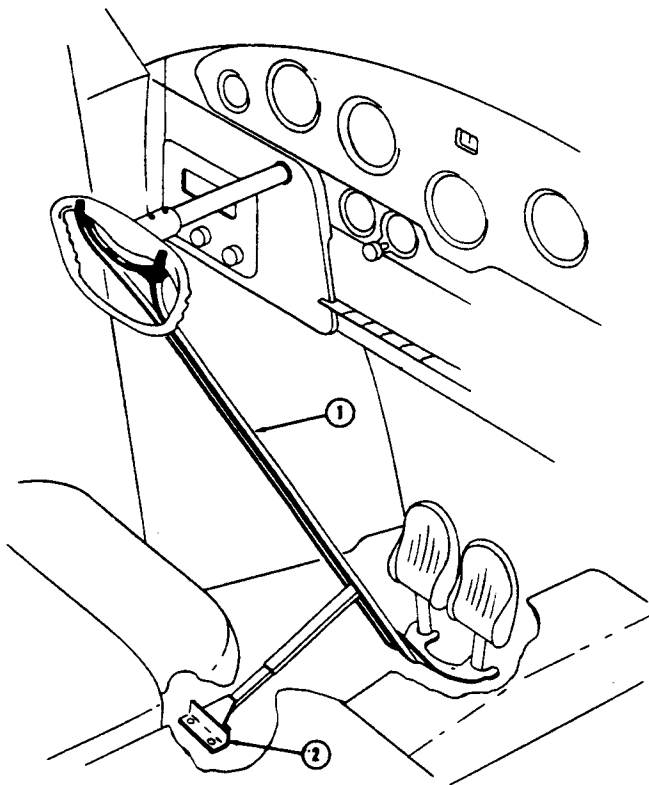


FIG. 71 - CONTROL LOCK

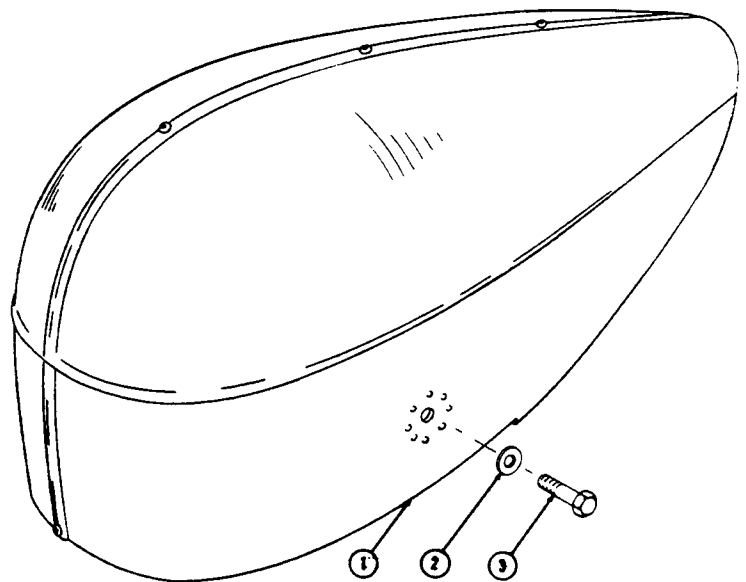
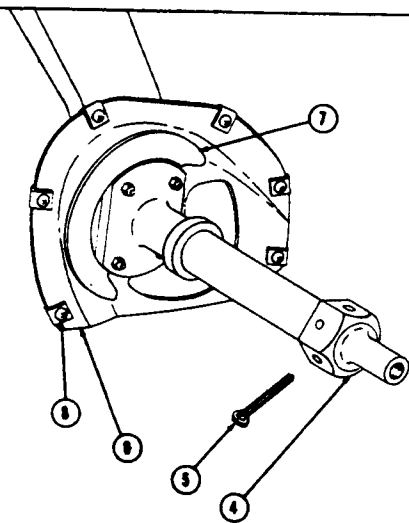


FIG. 73 - WHEEL FAIRINGS



ILLUSTRATED PARTS CATALOG

FIGURE 71

OPTIONAL EQUIPMENT - CONTROL LOCK

FIGURE AND REF. NO.	PART NUMBER	PART NAME						UNITS REQ'D ON MODEL
		1	2	3	4	5	6	
71-1	0511142	Lock - Control						1
71-2	See Figure 17	Stop - Control Lock						1

FIGURE 73

OPTIONAL EQUIPMENT - WHEEL FAIRINGS

FIGURE AND REF. NO.	PART NUMBER	PART NAME						UNITS REQ'D ON MODEL
		1	2	3	4	5	6	
52-3-102		Installation Kit - Main Wheel Fairing (Cessna Drawing 0441143)						1
73-1	0441143-12	Fairing Assembly - Main Wheel - Left						1
	0441143-13	Fairing Assembly - Main Wheel - Right						1
73-2	AN936B-616	Washer						2
73-3	AN6-5A	Bolt - (Attach Wheel Fairing to Axle)						2
73-4	0441130	Nut - Axle - Support						2
73-5	AN380-4-10	Pin - Cotter						2
73-6	0441143-8	Plate - Wheel Fairing Mount - Left						1
	0441143-9	Plate - Wheel Fairing Mount - Right						1
73-7	A1793-10-064-3	Nut - Tinnerman						10
73-8	PK76XZ-10-6	Screw - (Attach Fairing to Mounting Plate)						10

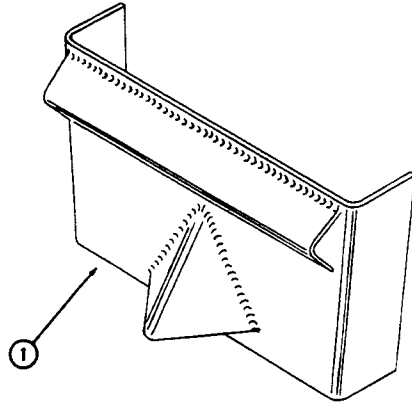


FIG. 75 - UNIVERSAL JACK POINT

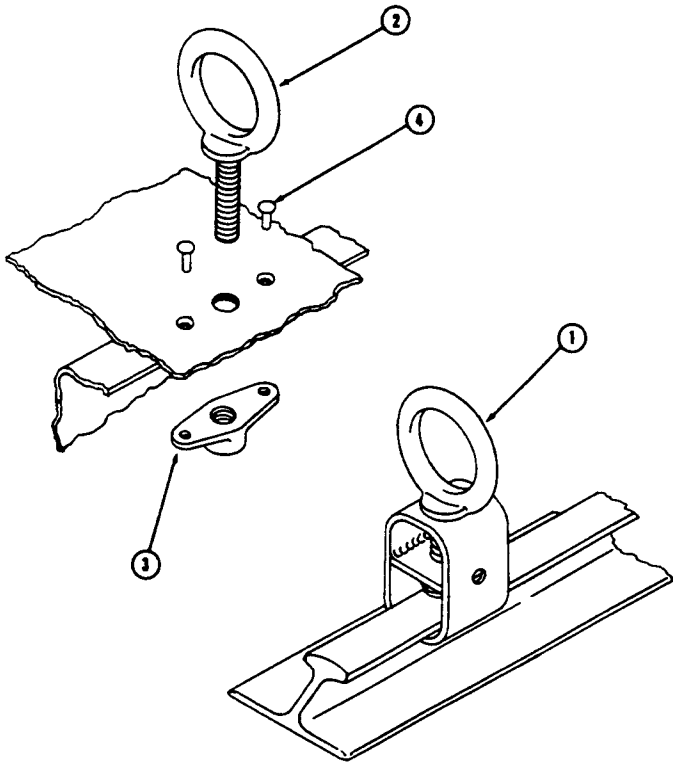


FIG. 76 - CARGO LUGS

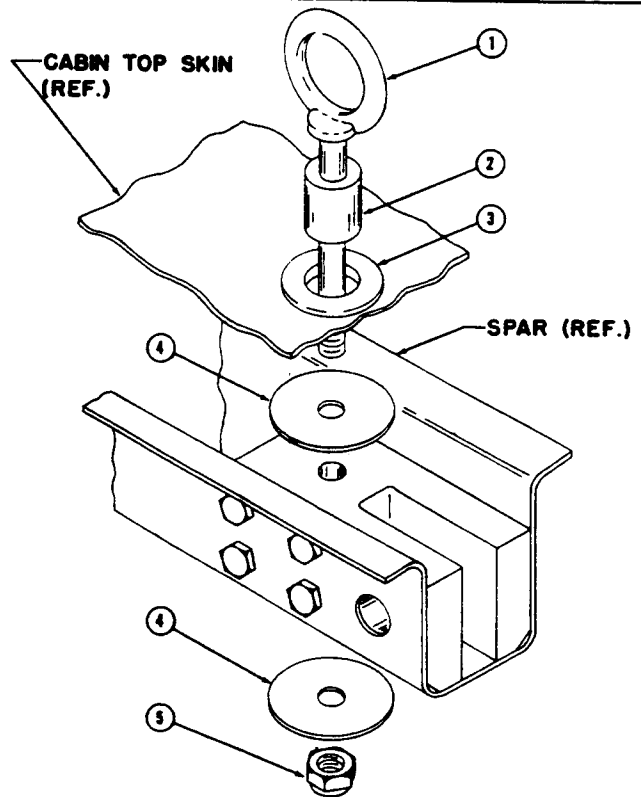


FIG. 77 - HOISTING PROVISION

ILLUSTRATED PARTS CATALOG

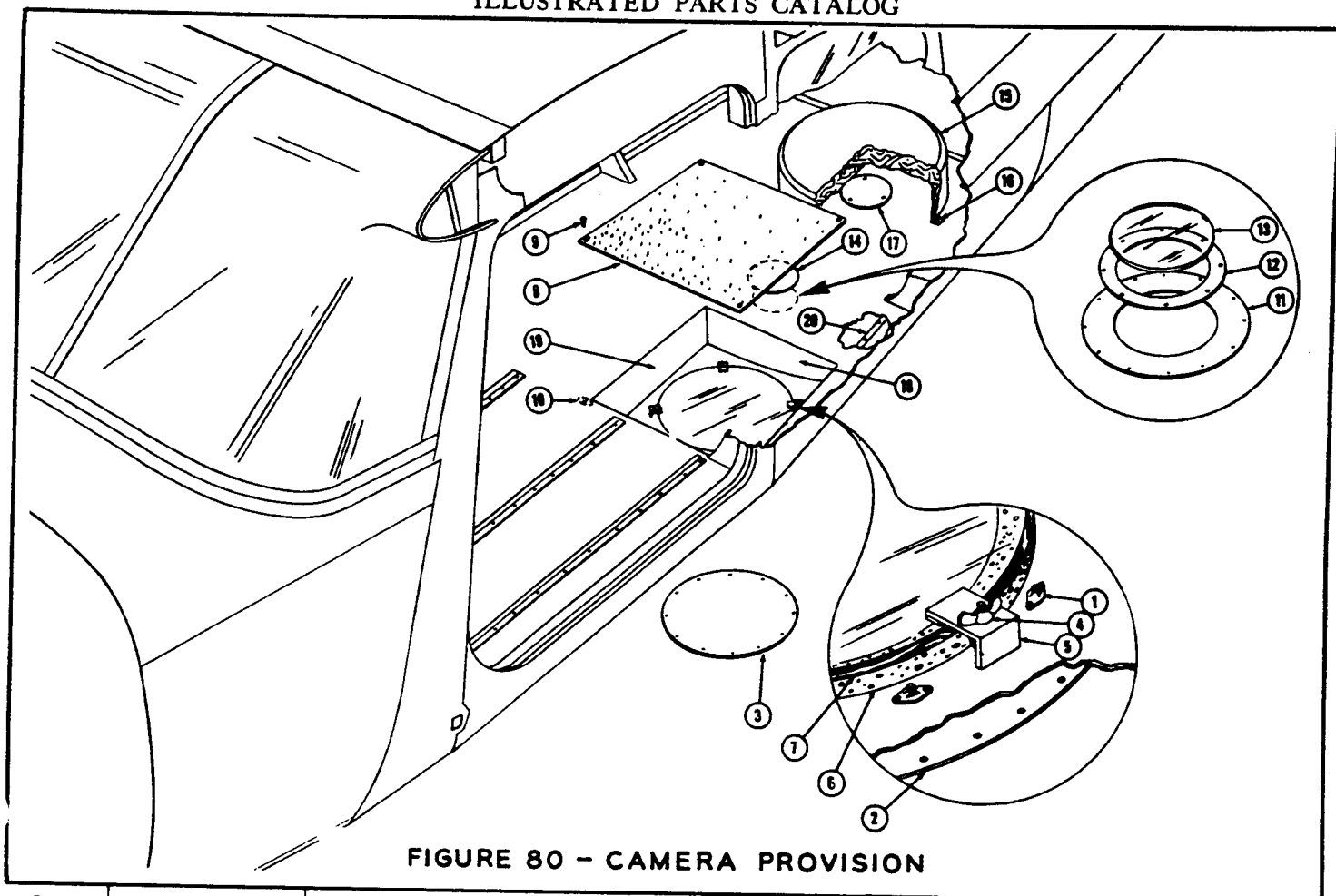


FIGURE 80 - CAMERA PROVISION

FIGURE AND REF. NO.	PART NUMBER	PART NAME						UNITS REQ'D ON MODEL
		1	2	3	4	5	6	
80-1	NAS444-4	Camera Provision (Cessna Print 0510010)						1
	PK76XZ-8-8	Nutplate - (Tinnerman A6191-8Z-3)						12
80-2	0510010-4	Screw						12
80-3	0510010-2	Doublers						1
80-4	AN526-1032R16	Cover						1
	AN365-1032	Screw						4
	AN936-10	Nut						4
	AN350-1032	Lockwasher						4
80-5	0510010-16	Wingnut						4
80-6	0510010-12	Clamp Assembly						4
80-7	0510010-11	Seal						4
80-8	0510010-15	Glass						1
80-9	AN366-F1032	Cover Assembly						1
80-10	AN526-10R9	Nutplate						1
80-11	0510010-5	Screw						4
80-12	0510010-7	Doublers						4
80-13	0510010-6	Ring						1
	NAS444-4	Cover - Plexiglass						1
	PK76XZ-8-8	Nutplate - (Attach Ring) - (Tinnerman A6191-8Z-3)						1
80-14	0510010-8	Screw - (Attach Ring)						8
	NAS444-4	Cover						8
	PK76XZ-8-8	Nutplate - (Attach Cover) - (Tinnerman A6191-8Z-3)						1
80-15	0510010-17	Screw - (Attach Cover)						4
80-16	AN526-10R8	Seat Assembly						4
	AN366-F1032	Screw - (Attach Seat)						1
80-17	0311516	Nutplate						4
	49330	Plate - Inspection						4
80-18	0510010-3	Stud - (Attach Inspection Plate) (United Carr)						1
80-19	0510010-9	Bulkhead						3
80-20	0510010-10	Bulkhead						1
		Bulkhead						1

ORDER BY PART NUMBER AND NAME

SERIAL NUMBER AND COLOR IF APPLICABLE

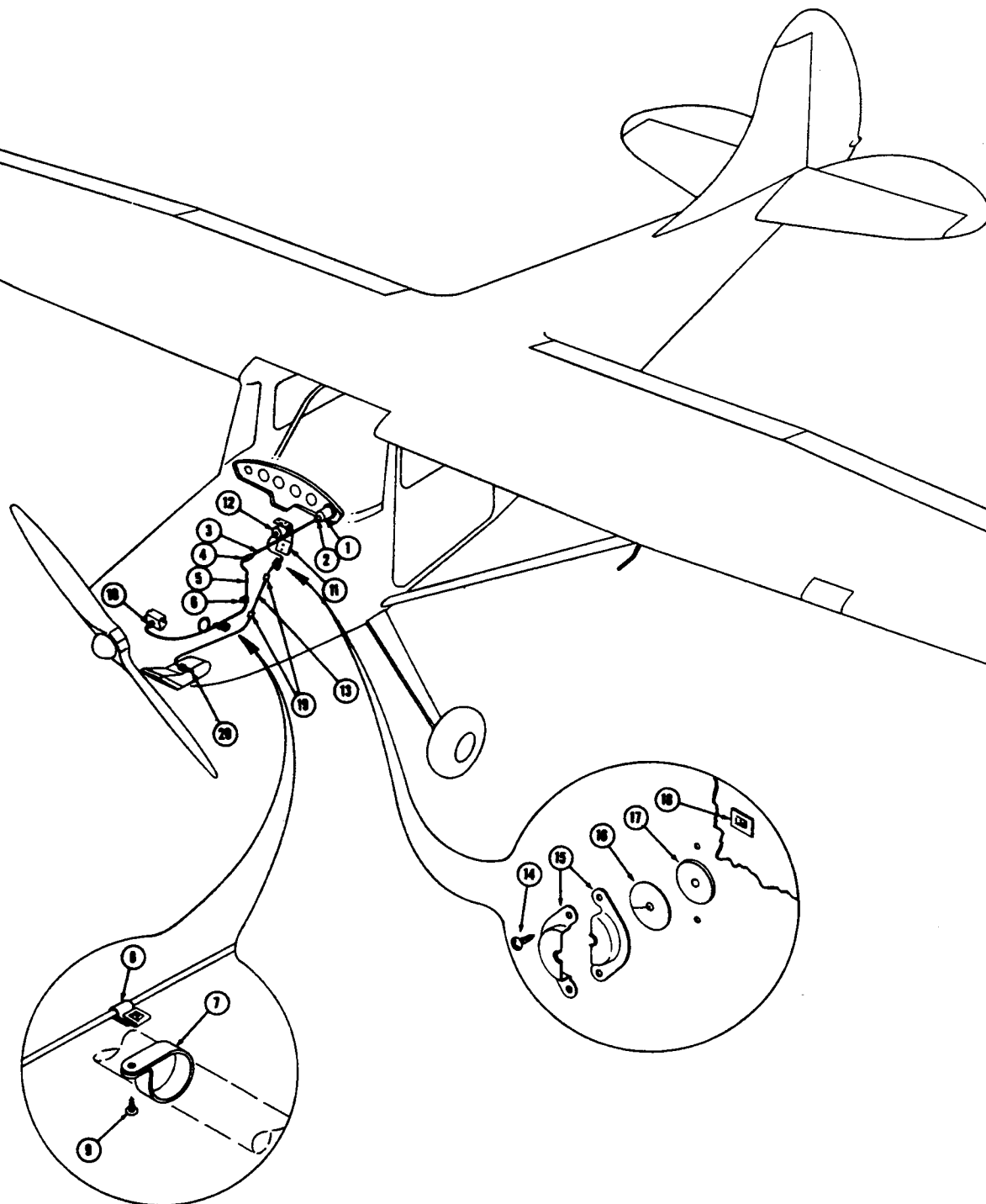


FIGURE 81 - MISCELLANEOUS GAGE INSTALLATION

ILLUSTRATED PARTS CATALOG

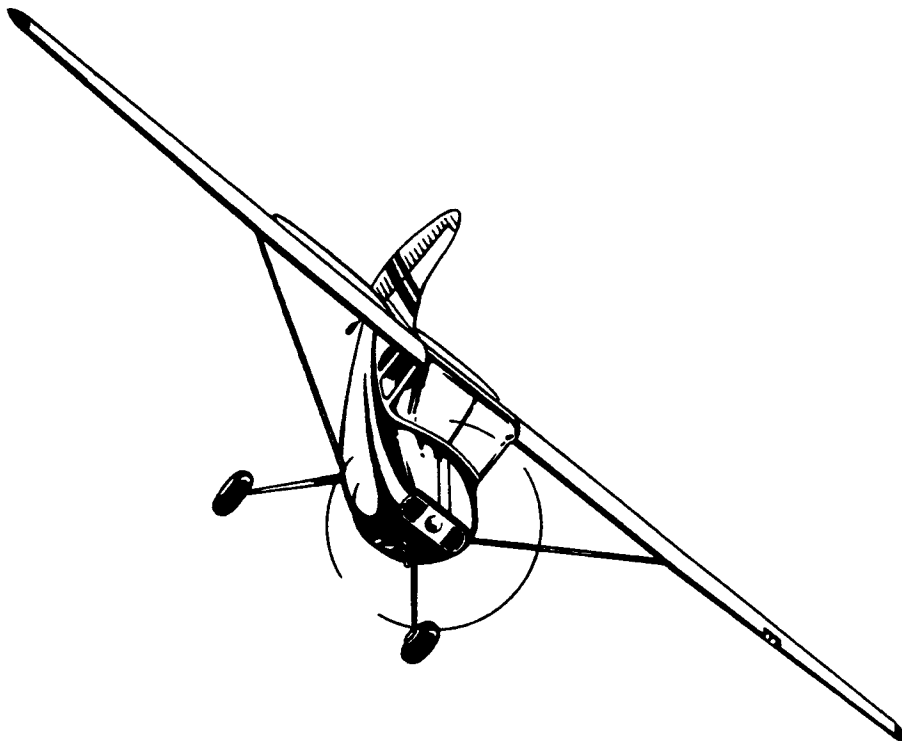
FIGURE 81

OPTIONAL EQUIPMENT - MISCELLANEOUS GAGE INSTALLATION

FIGURE AND REF. NO.	PART NUMBER	PART NAME						UNITS REQ'D ON MODEL
		1	2	3	4	5	6	
	0511009	Gage Installation - Manifold Pressure						1
81-1	0413014	Gage - Manifold Pressure						1
	AN515-6R	Screw - (Attach Gage)						4
81-2	AN816-2D	Adapter						1
81-3	0500106-34	Line - (Manifold Pressure Gage to Firewall)						1
81-4	AN832-2D	Coupling						1
	AN924-2D	Nut						1
81-5	0500106-33	Line						1
81-6	A2980A-2	Clamp - Tinnerman						1
	PK76XZ-8-6	Screw						1
	NAS446-4	Nut - (Tinnerman A1778-8Z-3)						1
81-7	A2980A-20	Clamp - Tinnerman						1
81-8	A2981A-2	Clamp - Tinnerman						1
81-9	PK76XZ-8-6	Screw						1
81-10	AN816-2D	Adapter						1
	0511055	Gage Installation - Carburetor Air Temperature - Electric						1
81-11	0511055-2	Bracket						1
81-12	0311020-8	Gage						1
	AN515-6R8	Screw - (Attach Gage)						4
	AN365-632	Nut - (Attach Gage)						4
81-13	0511055-3	Wire Assembly						1
81-14	PK76XZ-8-6	Screw						2
81-15	0353111-5	Shield						2
81-16	0353112-5	Shield - Asbestos						1
81-17	AN931-4S16	Grommet						1
81-18	NAS446-4	Nut - (Tinnerman A1778-8Z-3)						2
81-19	NAS437-3C	Harness Bark - (United Carr #49166-1)						2
81-20	0311020-7	Bulb						1
	0411849	Nut - (Mounted Inside of Carburetor Air Box)						1
	AN515-6R8	Screw - (Attach 0411849)						2
	AN365-632	Nut						2

ORDER BY PART NUMBER AND NAME

SERIAL NUMBER AND COLOR IF APPLICABLE



Model **170A**

NUMERICAL INDEX



ILLUSTRATED PARTS CATALOG

NUMERICAL PARTS AND PRICE LIST

PART NUMBER	PAGE NO.	LIST PRICE	REMARKS	PART NUMBER	PAGE NO.	LIST PRICE	REMARKS
0310007-3	107			0332000-7	25		
0310103-2	87			0332000-9	23		
0310196-2	77			0332000-10	23		
0310196-3	45			0332000-11	25		
0310196-4	45			0332000-12	23		
0310219-2	90			0332000-13	23		
0310262	27			0332000-14	23		
0310293-2	23			0332000-20	23		
0310331	23			0332105	25		
0310332	23			0332106	23		
0310452	45,111			0332107	23		
0311001-27	5,13,36			0332108	23		
0311020-7	129			0332109	23		
0311020-8	129			0332110	23		
0311033	55			0332111	23		
0311038-2	61,65			0332112	23		
0311057-1	107			0332113	23		
0311240-17	5,13			0332114	23		
0311310	77			0332116	23		
0311311-1	77			0332117	23		
				0332118	23		
0311330	55			0332119	23		
0311360-4	5,13			0332120	23		
0311360-5	5,13			0332121	23		
0311513	92			0332122	23		
0311516	5,13,23			0332123	23		
	29,127			0332124	23		
0311516-3	29			0332125	23		
0311586	77			0332127	23		
0311644	77			0332129	23		
0311710	79			0332129-1	23		
0311710-2	79			0332131	23		
0311710-4	29			0332134	23		
0311741-22	79			0333000-3	25		
0311741-26	77			0333000-12	25		
0311752-5	95			0333113	25		
0311752-8	95			0333114	25		
0311752-10	95			0333115	25		
0311752-16	31			0333116	25		
0311752-30	95			0333117-1	25		
0311772-2	95			0333119	25		
0311772-3	95			0333127	25		
0311772-4	95			0333128	25		
0311779-2	95			0333132	25		
0311796	95			0333133	96		
				0334100-2	27		
0311819	96			0334100-3	27		
				0334100-4	27		
				0334100-5	27		
				0334100-6	27		
				0334100-7	27		
				0334100-9	27		
				0334100-10	27		
0322127	8,16			0334100-13	27		
0322128	5,13			0334100-21	27		
0331000-1	20			0334106	27		
0331000-4	20			0334109-2	27		
0331000-5	20			0334111	27		
0331000-51	20			0334114	27		
0331106	20			0334116	27		
0331107	20			0334117	27		
0331108	20			0334118	27		
0331109	20			0334119	27		
0331110	20			0334120	27		
0331114	20			0334121	27		
0331115	20			0334123	27		
0331118	20			0334124	27		
0331119	20			0334125	27		
0331120	20			0334125-2	27		
0331121	20			0334126	27		
0331124	20			0334200-2	27		
0331125	20			0334200-3	27		
0331127	20			0334200-4	27		
0331129	23			0334200-5	27		
0332000-3	23			0334200-12	27		
0332000-4	23			0334206	27		
0332000-5	23			0334212	27		

ALL PRICES SUBJECT TO CHANGE WITHOUT NOTICE



ILLUSTRATED PARTS CATALOG

NUMERICAL PARTS AND PRICE LIST

PART NUMBER	PAGE NO.	LIST PRICE	REMARKS	PART NUMBER	PAGE NO.	LIST PRICE	REMARKS
0334213	27			0411094-1	62,64		
0334214	27			0411098-6	112		
0334215	27			0411098-8	112		
0334220	27			0411098-10	112		
0334221	27			0411098-11	112		
0341007	109			0411099	62		
0341118	109			0411129	35		
0353111-1	73			0411150-6	50		
0353111-4	73			0411185	57,59		
0353111-5	73,129			0411200-2	79		
0353111-8	73			0411200-4	79		
0353112-1	73			0411200-5	77		
0353112-4	73			0411200-6	77		
0353112-5	73,129			0411217	96		
0400106-61	82			0411221	47		
0410215-2	29			0411221-2	47		
0410216	29			0411232	85		
0411008-1	61,64			0411255	47		
0411016-2	65			0411256	47		
0411016-2	61			0411257	47		
0411017-3	65			0411263	45		
0411017-3	61			0411264	45		
0411020	65			0411281-6	33		
0411020-1	61			0411306	45		
0411021-1	55			0411306-1	45		
0411023	61			0411307	45		
0411023-1	64			0411326	47		
0411023-2	64			0411333	79		
0411023-3	64,95			0411333-1	79		
	96			0411369-2	45,111		
0411023-4	64			0411419	89		
0411030-3	75			0411421-2	85,87		
0411035-1	64,65				90		
	107			0411422	89		
0411035-1	61			0411426	89		
0411038	29,61			0411427	89		
	65			0411447	7,15		
0411047	47				31,40		
0411051	85			0411454	45		
0411051-4	85			0411454-1	45		
0411054-2	96			0411489	83,85		
0411054-3	96				87,90		
0411056	96			0411491	89		
0411057-5	96			0411521	85		
0411058	43			0411522	89		
0411058-2	43			0411523	89		
0411058-3	43			0411524	89		
0411058-4	43			0411548	45		
0411058-5	43			0411549	45		
0411058-6	43			0411550	45		
0411058-7	43			0411552	57		
0411058-8	43			0411554	57		
0411058-9	43			0411555	57		
0411058-10	43			0411557	57		
0411059-1	64,107			0411563	111		
0411062-1	96			0411564	111		
0411062-2	96			0411565	45		
0411063-3	96			0411573	111		
0411065	96			0411575-3	57		
0411067	96			0411576	57,59		
0411078-1	104			0411579-4	57,59		
0411081-1	96			0411582	39		
0411084-1	61,64			0411629	79		
0411084-2	104			0411640	45		
0411085-1	104			0411641	45		
0411086-4	61,64			0411643	45		
0411087-3	61,64			0411647	45		
0411087-6	104			0411670	31		
0411087-9	104			0411680	31		
0411088-1	104			0411718-1	31		
0411089	62,64			0411730	75		
0411090-1	62,64			0411739	45		
0411090-4	62,64			0411749-5	64,62		
	93			0411773	93		
0411091-4	62,65			0411778-2	111		
0411092	29,62			0411782	29		
	64			0411794-3	77		

ALL PRICES SUBJECT TO CHANGE WITHOUT NOTICE



ILLUSTRATED PARTS CATALOG

NUMERICAL PARTS AND PRICE LIST

PART NUMBER	PAGE NO.	LIST PRICE	REMARKS	PART NUMBER	PAGE NO.	LIST PRICE	REMARKS
0411794-5	77			0413156	29		
0411794-6	79			0413157	17		
0411821-3	57.59			0413159	29		
0411824	93			0413163	29		
0411840	75			0413163-1	29		
0411851	57.59			0413163-7	29		
0411852	3			0413163-8	29		
0411875-4	25			0413163-9	29		
0411877	89			0413166-3	61.65		
0411880	85			0413174	96		
0411881	85			0413175	96		
0411883	47			0413181-1	33		
0411886	57.59			0413186	45		
0411889	61.64			0413186-3	43.45		
0411896	61.64			0413187	45		
0411897	61.64			0413188	31.45		
0411897-3	64			0413195-3	57.59		
0412006	85.87			0413203	29		
	90.109			0413205	55		
0412007-1	55			0413206	61.65		
0412142	40			0413208	62		
0412152-9	39			0413209	62		
0412467	39.40			0413213-1	47		
0412472	61.64			0413214	77.79		
0412473	61.64			0413215	61.64		
0412474	61.64			0413216	47		
0412474-1	61			0413226-4	62.65		
0412475	61.64			0413226-7	62.65		
0412475-1	61.64			0413228	29		
0412477-4	61.64			0413233	9.17		
0412484	61			0413235	75		
0412486	61.65			0413236	96		
0412487-3	61.62			0413238	96		
0412487-4	61.62			0413240	61.64		
0412489-6	61			0413247	61.64		
0412489-8	65			0413261	29		
0412491	61.65			0413263	82		
0412497-5	61			0413269	104		
0412499	62.65			0413272	62.64		
0412514-1	62			0413273-3	123		
0413014	129			0413307-4	29		
0413016-1	47			0413307-5	29		
0413016-2	47			0413307-6	29		
0413020-3	81			0413307-7	29		
0413020-4	81			0413307-8	29		
0413020-5	81			0413307-13	29		
0413020-6	81			0413307-17	29		
0413106	33			0413307-19	29		
0413109	64			0413307-21	29		
0413114	62.64			0413316-4	62.64		
0413116-5	65			0413320	61.65		
0413116-7	61			0413335	62.64		
0413116-10	61			0413336	62.64		
0413116-52	62			0413337	62.64		
0413117	62.65			0413355	61.65		
0413118-3	61.65			0413362-2	57.59		
0413120	75			0413366	57		
0413124	96			0413366-1	57		
				0422006-2	5.13		
0413124-1	96			0422291	9		
				0422292	9		
0413126	61.65			0422342	109		
0413132	64			0423006-1	5		
0413133-3	59			0423006-3	13		
0413134	59			0423006-4	13		
0413137	33			0423006-5	5.13		
0413139	31			0423006-6	5.13		
0413140	31			0425113	11.19		
0413141	31			0425120	29		
0413142	31			0425121	29		
0413142-2	31			0425122	29		
0413142-3	31			0425124	29		
0413143	61.64			0425130	29		
0413145	61.65			0425134	81		
0413148	57			0425140	29		
0413150	62.65			0425141	29		
0413155-3	29			0430010	23		

ALL PRICES SUBJECT TO CHANGE WITHOUT NOTICE



ILLUSTRATED PARTS CATALOG

NUMERICAL PARTS AND PRICE LIST

PART NUMBER	PAGE NO.	LIST PRICE	CODE	REMARKS	PART NUMBER	PAGE NO.	LIST PRICE	CODE	REMARKS
0430010-1	25				0442128	40			
0430010-2	23,25				0442129-1	40			
0431119	40				0450014-6	3			
0432123	23				0450017-7	71			
0432126	23				0450017-7	104			
0432134	89				0450111	33			
0432138-1	89				0450171	72			
0432155	25				0450209	72			
0433006	25				0450210	72			
0433006-2	25				0450211-1	72			
0433006-3	25				0450234	66,69			
0433007	25					72			
0433113	25				0450247	93			
0433121	25				0450248	93			
0433132	25				0450250	93			
0441010	49				0450252	93			
0441016	51				0450253	93			
0441016-1	50				0450258	43,45			
0441016-2	50,51				0450261	71			
0441016-4	50,51				0450277-1	72			
0441016-5	50,51				0450277-2	72			
0441016-6	50,51				0450283	71			
0441016-7	50,51				0450284	33			
0441016-9	50,51				0450298	72			
0441016-10	50,51				0450311	71			
0441016-11	50,51					93			
0441016-15	50,51				0450311-2	71			
0441019	43				0450320-6	72			
0441019-1	43				0450320-8	72			
0441019-2	43				0450320-9	72			
0441019-3	43				0450320-10	72			
0441019-4	43				0450320-16	93			
0441019-5	43				0450322-2	72			
0441019-6	43				0450322-3	72			
0441019-7	43				0452007	69			
0441019-8	43				0452108	66,69			
0441020	43,45				0452109	66,69			
0441021	43,45				0452110	66,69			
0441115	49				0452111	66,69			
0441119	49,117				0452112	66,69			
0441130	121				0452113	66,69			
0441138-3	49				0452114	66,69			
0441140	49				0452115	66,69			
0441141	49				0452119	66,69			
0441141-1	49				0452120	66,69			
0441143-8	121				0452121	66,69			
0441143-9	121				0452122	66,69			
0441143-12	121				0452123	66,69			
0441143-13	121				0452166	105			
0441150-2	117				0452183-4	66,69			
0441150-3	117				0452207	66			
0441150-4	117				0452207-1	66,69			
0441151	117				0453110	33			
0442006	51				0453112	33			
0442006-4	51				0500002	3			
0442006-5	51				0500005-2	53			
0442006-6	51				0500005-3	53			
0442006-7	51				0500005-4	53			
0442006-9	51				0500005-5	53			
0442006-10	51				0500005-7	53			
0442006-11	51				0500005-8	53			
0442006-13	51				0500005-10	53			
0442006-17	51				0500005-12	53			
0442006-18	51				0500005-13	53			
0442006-19	51				0500005-15	53			
0442006-20	51				0500005-16	53			
0442008	51				0500005-18	53			
0442010	119				0500005-19	53			
0442011-2	119				0500005-24	53			
0442107	40				0500005-27	53			
0442108-2	40				0500005-29	53			
0442109-2	40				0500005-30	53			
0442116-1	40				0500005-31	53			
0442119-1	40				0500005-32	53			
0442124	40				0500005-33	53			
0442125	40				0500005-34	53			
0442127	40				0500005-35	53			

ALL PRICES SUBJECT TO CHANGE WITHOUT NOTICE



ILLUSTRATED PARTS CATALOG

NUMERICAL PARTS AND PRICE LIST

PART NUMBER	PAGE NO.	LIST PRICE	CODE	REMARKS	PART NUMBER	PAGE NO.	LIST PRICE	CODE	REMARKS
0500005-36	53				0500106-66	81			
0500005-37	15,53				0500106-67	81			
0500005-38	7,53				0500106-68	81			
0500005-41	25,53				0500106-74	110			
0500005-51	53				0500106-75	95			
0500005-54	53				0500106-76	95			
0500005-55	53				0500106-77	95			
					0500106-78	95			
					0500205	81,82			
					0510000-4	36			
					0510000-5	36			
					0510000-9	36			
0500005-64	53				0510000-15	36			
0500005-65	53				0510000-17	36			
0500005-66	53				0510000-21	36			
0500005-68	53				0510000-22	36			
0500005-69	53				0510000-23	36			
0500005-71	53				0510000-52	29			
0500005-72	55				0510010-3	127			
0500005-73	55				0510010-5	127			
0500005-74	7,55				0510010-6	127			
0500005-75	55				0510010-7	127			
0500005-76	55				0510010-8	127			
0500005-77	55				0510010-9	127			
0500005-78	55				0510010-10	127			
0500005-79	55				0510010-11	127			
0500005-80	55				0510010-12	127			
0500005-81	7,55				0510010-15	127			
0500005-82	55				0510010-16	127			
0500005-83	96				0510010-17	127			
0500005-84	96				0510103-9	83,85			
0500005-95	110					87,89			
0500005-96	110					90			
0500005-99	95				0510105-5	83			
0500005-100	95				0510105-7	89			
0500005-101	95				0510105-8	89			
0500005-102	95				0510105-9	89			
0500005-103	95				0510105-10	89			
0500005-104	95				0510105-11	83			
0500005-105	95				0510105-12	85			
0500006-4	121				0510105-13	85			
0500006-10	121				0510105-101	109			
0500007-4	104				0510105-104	109			
0500007-5	121				0510105-107	109			
0500007-6	121				0510105-108	109			
0500007-8	121				0510105-109	109			
0500007-15	104				0510105-110	109			
0500106-7	81				0510105-111	109			
0500106-8	81				0510105-112	109			
0500106-10	49				0510105-113	109			
0500106-11	49				0510105-114	109			
0500106-12	41				0510105-115	109			
0500106-13	41				0510106	40			
0500106-14	41				0510106-1	40			
0500106-19	82				0510108	87			
0500106-20	81				0510109	40			
0500106-22	71				0510110	35			
0500106-26	71,115				0510111-2	87			
0500106-28	72				0510112	35			
0500106-33	129				0510112-1	35			
0500106-34	129				0510113	33			
0500106-35	41				0510113-1	33			
0500106-47	107				0510114-20	33			
0500106-48	107				0510114-21	33			
0500106-51	82				0510114-22	31			
0500106-52	117				0510114-26	31			
0500106-53	7,117				0510117	29			
0500106-54	7				0510118	39			
0500106-56	107				0510119	85			
0500106-58	107				0510120	90			
0500106-59	81				0510121	39			
0500106-60	81				0510121-1	39			
0500106-61	81				0510122-3	40			
0500106-62	81				0510124	33			
0500106-63	81				0510124-1	33			
0500106-64	81				0510128	33			
0500106-65	81				0510129	31			

ALL PRICES SUBJECT TO CHANGE WITHOUT NOTICE



ILLUSTRATED PARTS CATALOG

NUMERICAL PARTS AND PRICE LIST

PART NUMBER	PAGE NO.	LIST PRICE	REMARKS	PART NUMBER	PAGE NO.	LIST PRICE	REMARKS
0510129-3	31			0511001-127	75		
0510131	31			0511001-129	75		
0510135	33						
0510136	85						
0510137	85			0511005-2	96		
0510138	33			0511005-3	96		
0510138-2	33			0511005-5	96		
0510138-3	33			0511005-6	96		
0510139	33			0511005-7	96		
0510140-3	75						
0510141	75						
0510142	40						
0510143	40						
0510146	87			0511009	129		
0510150	45,111			0511010-4	107		
0510152	40			0511010-6	107		
0510152-3	40			0511010-8	107		
0510153	40			0511010-12	107		
0510154	39			0511010-50	107		
0510154-2	39			0511011-2	96		
0510155	39						
0510155-1	39						
0510156	39			0511018	96.99		
0510157	75						
0510159	47						
0510160	87						
0510161	47						
0510401	45						
0511000-6	31						
0511000-7	31						
0511000-8	31						
0511000-9	31						
0511000-11	31						
0511000-14	31						
0511000-15	31						
0511000-18	33						
0511000-19	31						
0511000-20	7,8.9						
	15.17						
	31.33						
0511000-22	31			0511054-1	104		
0511000-23	31			0511055	129		
0511000-24	31			0511055-2	129		
0511000-25	36			0511055-3	129		
0511000-26	31			0511058-3	123		
0511000-27	31			0511059-1	61		
0511000-31	31			0511060	61.64		
0511000-32	31				65.107		
0511000-35	31			0511061	121		
0511000-36	31			0511062-2	62.65		
0511000-37	31			0511062-3	62.65		
0511000-38	31			0511062-4	5		
0511000-52	31			0511063	110		
0511000-53	31			0511064	101		
0511001	75			0511065	103		
0511001-8	75						
0511001-9	75						
0511001-11	75						
0511001-12	75			0511102-10	31		
0511001-13	75						
0511001-15	75						
0511001-16	75						
0511001-18	75						
0511001-19	75						
0511001-20	75						
0511001-21	75						
0511001-22	75						
0511001-32	75						
0511001-72	75			0511103	118		
0511001-75	75			0511103-2	118		
0511001-76	75			0511106-10	57		
0511001-77	75			0511106-11	59		
0511001-78	75			0511106-14	57		
0511001-86	75			0511106-15	59		
0511001-101	75			0511106-18	39.57		
0511001-110	75			0511106-19	39.59		

ALL PRICES SUBJECT TO CHANGE WITHOUT NOTICE



ILLUSTRATED PARTS CATALOG

NUMERICAL PARTS AND PRICE LIST

PART NUMBER	PAGE NO.	LIST PRICE	CODE	REMARKS	PART NUMBER	PAGE NO.	LIST PRICE	CODE	REMARKS
0511106-22	57				0511137-1	75			
0511106-23	59				0511138	39			
0511106-25	59				0511138-1	39			
0511106-30	57,59				0511140	75			
0511106-31	57				0511140-1	75			
0511106-32	59				0511142	121			
0511106-33	57				0511142-2	29			
0511106-34	57,59				0511143-5	39			
0511106-36	57,59				0511143-6	39			
0511106-37	57,59				0511145	39			
0511106-38	57,59				0511146	40			
0511106-44	57				0511148	33,59			
0511106-45	59				0511149	39			
0511106-50	57				0511150	31			
0511106-51	59				0511150-1	31			
0511106-53	57				0511151	31			
0511106-54	59				0511151-1	31			
0511106-55	59				0511152	75			
0511106-56	57				0511153	31			
0511106-60	57				0511154	75			
0511106-61	59				0511154-1	75			
0511106-88	57,59				0511157-4	81			
0511106-89	57,59				0511157-6	81			
0511106-90	57				0511157-7	81			
0511106-91	59				0511157-8	81			
0511106-92	57,59				0511162	35			
0511106-93	57,59				0511165	123			
0511106-94	57,59				0511166	123			
0511106-95	57,59				0511167	81			
0511106-96	57				0511168	75			
0511106-97	59								
0511106-98	57								
0511106-100	59				0511172	77			
0511106-101	59				0511173	77			
0511106-103	57,59				0511174	79			
0511106-104	57,59								
0511106-105	57,59								
0511106-106	57								
0511106-107	59								
0511108-2	79								
0511108-3	79								
0511108-16	39				0511176	39			
0511108-17	39				0511179	31			
0511108-18	39								
0511108-19	39								
0511108-22	79								
0511108-30	79								
0511108-51	79								
0511108-52	79								
0511108-60	79								
0511108-70	79				0511181	57,59			
0511108-71	79				0511182	57,59			
0511108-90	79				0511183	57,59			
0511108-91	79				0511190	81			
0511109-3	31				0511191	81			
0511111	31				0511192	31,81			
0511111-1	31				0511194-3	81			
0511112-2	57				0511195	81			
0511112-5	57				0511196	81			
0511112-6	57,59				0511197	81			
0511114-3	31				0511198	81			
0511114-4	31				0511199	81			
0511116	31				0511199-2	81			
0511116-1	31				0511199-3	81			
0511118	31				0511199-4	81			
0511124	49				0511199-5	81			
0511125	49				0511199-6	81			
0511127	81				0511199-7	81			
0511130	75				0511199-8	81			
					0511227	57			
					0511227-1	59			
0511132	39				0511231-3	95			
0511133	39				0511231-4	95			
					0511231-5	95			
0511136	75				0511231-6	95			
0511136-1	75				0511231-7	95			
0511137	75				0511231-9	95			
					0511231-10	95			

ALL PRICES SUBJECT TO CHANGE WITHOUT NOTICE



ILLUSTRATED PARTS CATALOG

NUMERICAL PARTS AND PRICE LIST

PART NUMBER	PAGE NO.	LIST PRICE	REMARKS	PART NUMBER	PAGE NO.	LIST PRICE	REMARKS
0511231-12	95			0512000-11	39		
0511231-14	95			0512000-12	39		
0511231-15	95			0512000-13	33,39		
0511231-16	95			0512000-14	39		
0511231-17	95			0512000-16	39		
0511231-18	95			0512000-17	39		
0511231-19	95			0512000-18	39		
0511231-20	95			0512000-19	40		
0511231-22	95			0512000-20	39		
0511282	33			0512000-24	39		
0511282-1	33			0512000-25	39		
0511282-2	33			0512000-26	40		
0511282-3	33			0512000-27	40		
0511283	33			0512000-28	40		
0511283-1	33			0512000-29	40		
0511283-2	33			0512000-30	40		
0511283-3	33			0512000-31	39		
0511301-3	77			0512000-32	40		
0511301-4	77			0512000-51	39		
0511301-17	77			0512000-52	40		
0511301-18	29			0512000-53	39		
0511301-19	29			0512000-54	39		
0511301-20	77			0512108	40		
0511301-24	77			0512108-3	40		
0511301-30	77			0512108-5	40		
0511301-31	77			0512109	40		
0511301-63	77			0512110	40		
0511301-65	77			0512111	40		
0511301-66	77			0512112-7	39		
0511301-67	31			0512112-9	39		
0511301-70	77			0512113	39		
0511301-80	77			0512113-7	39		
0511301-86	77			0512114-5	39		
0511301-88	77			0512114-6	39		
0511301-102	77			0512114-8	39		
0511301-104	77			0512114-13	39		
0511301-106	77			0512114-14	39		
0511301-107	77			0512114-15	39		
0511301-108	77			0512114-16	39		
				0512114-19	39		
0511495-2	35			0512114-20	39		
0511495-3	35			0512114-21	39		
0511495-4	35			0512114-22	39		
0511495-5	35			0512117	40		
0511495-6	35			0512117-1	40		
0511495-7	35			0512118	40		
0511495-8	35			0512118-4	40		
0511495-9	35			0512119	40		
0511495-10	35			0512119-1	40		
0511495-11	35			0512120	75		
0511495-12	35			0512122	39		
0511495-13	35			0512123	5,13		
0511495-14	35			0512125-1	40		
0511495-15-	35			0512126	40		
0511495-16	35			0512127	40		
0511495-17	35			0512127-1	40		
0511495-18	35			0513000-3	33		
0511495-19	35			0513000-6	33		
0511495-20	35			0513000-7	33		
0511495-21	35			0513000-8	33		
0511495-22	35			0513000-9	33		
0511495-23	36			0513000-10	33		
0511495-30	35			0513000-13	33		
0511495-32	35			0513000-14	33		
0511495-33	35			0513000-15	33		
0511495-34	35			0513000-19	33		
0511495-35	35			0513000-52	33		
0511495-36	35			0513000-54	33		
0511495-37	35			0513006-1	35		
0511794-6	79			0513006-3	35		
0512000-1	39			0513006-8	35		
0512000-5	39			0513006-9	35		
0512000-6	39			0513006-10	35		
0512000-7	39			0513006-11	35		
0512000-8	40			0513006-16	35		
0512000-9	40			0513006-17	35		
0512000-10	40			0513006-21	35		

ALL PRICES SUBJECT TO CHANGE WITHOUT NOTICE



ILLUSTRATED PARTS CATALOG

NUMERICAL PARTS AND PRICE LIST

PART NUMBER	PAGE NO.	LIST PRICE	REMARKS	PART NUMBER	PAGE NO.	LIST PRICE	REMARKS
0513006-22	35			0523002-14	9		
0513006-23	35			0523002-15	17		
0513006-24	35			0523002-16	8		
0513006-25	35			0523002-17	16		
0513006-26	35			0523002-22	8		
0513006-34	35			0523002-23	16		
0513006-35	35			0523002-26	8		
0513006-36	35			0523002-27	16		
0513006-37	35			0523002-28	8		
0513006-38	35			0523002-29	16		
0513006-39	35			0523002-34	7		
0513006-40	35			0523002-35	7		
0513006-41	35			0523002-36	7		
0513006-42	35			0523002-37	7		
0513006-43	35			0523002-38	7		
0513006-44	35			0523002-39	7		
0513006-45	35			0523002-41	15		
0513006-46	35			0523002-42	15		
0513006-47	35			0523002-43	15		
0513006-48	35			0523002-44	15		
0513006-49	35			0523002-45	15		
0513008	33			0523002-46	15		
0513008-1	33			0523002-47	7,15		
0513009	33			0523002-48	8,15		
0513009-1	33			0523002-49	9,15		
0513011	29			0523002-53	17		
0513011-2	29			0523002-54	9		
0513011-3	29			0523002-55	9		
0513011-4	29			0523002-56	17		
0513012	61,62			0523002-57	17		
	107			0523003-10	9		
0513013	75			0523003-11	17		
0513020	61,62			0523003-13	17		
	107			0523003-18	8		
0513021	62,64			0523003-19	16		
0513023	96			0523003-20	8		
0513025	62,107			0523003-21	16		
0513025-10	64			0523003-24	8		
0513026	107			0523003-25	16		
0513100	33			0523003-30	8		
0513101-3	33			0523003-31	16		
0513102	33			0523003-32	8		
0513102-1	33			0523003-33	16		
0513103	33			0523003-40	7,15		
0513106	33			0523003-48	7,15		
0513107	81			0523004-2	5,8		
0513109	62				13,16		
0513111	65			0523004-5	13,16		
0513112	62,64			0523004-6	5,8		
0513114	62,64			0523106	9		
0513114-2	107			0523107	9,11		
0513115	62				17,19		
				0523107-2	9		
				0523108	9,17		
0513120	107			0523108-3	9		
				0523109	9		
				0523109-1	17		
				0523115	113		
				0523115-2	5		
				0523115-3	113		
0513228-21	33			0523116	113		
0520005	3			0523117	113		
0520005-1	3			0523118-1	113		
0520006	3			0523206	8		
0520006-1	3			0523206-1	16		
0520111	11,19			0523207	11,19		
0520112	15			0523208	7		
0520112-1	7			0523208-1	15		
0520114	11,19			0523209-1	8,15		
0520120-2	11,19			0523209-2	15		
0520120-3	7,15			0523210	8,15		
0522621	5,13			0523211	8		
0522629	10,18			0523211-1	16		
0523000	5			0523213	8		
0523000-1	13,15			0523213-1	16		
0523002	7			0523214	5		
0523002-1	15			0523215	8		

ALL PRICES SUBJECT TO CHANGE WITHOUT NOTICE



ILLUSTRATED PARTS CATALOG

NUMERICAL PARTS AND PRICE LIST

PART NUMBER	PAGE NO.	LIST PRICE	COE	REMARKS	PART NUMBER	PAGE NO.	LIST PRICE	COE	REMARKS
0523215-1	16				0523609	20			
0523216	8,16				0523700	8,16			
0523218	10,13				0523800	10			
	18				0523800-1	18			
0523218-2	10,18				0523807	10			
0523219-2	8				0523813-1	8,16			
0523219-3	16				0523813-2	8,16			
0523219-4	8				0523813-3	8,16			
0523219-5	16				0523813-4	8,16			
0523221	10,18				0523814	10,18			
0523222	10,18				0523815	10,18			
0523223	10				0523900	11			
0523223-1	18				0523900-1	19			
0523224	11,19				0523910	11,19			
0523225	11,19				0530008	3			
0523226	8,15				0531108	23			
0523227	11,19				0531109	23			
0523228	11,19				0531110	23			
0523229	11,19				0531111	23			
0523266-2	7				0531112	23			
0523300	7				0531112-3	23			
0523306	7,15				0531113	20			
0523307	20				0533000	25			
0523400	7				0533000-4	25			
0523400-1	15				0533000-5	25			
0523400-10	7				0533000-6	25			
0523400-11	15				0533000-7	25			
0523406	7				0533000-8	25			
0523406-1	15				0533000-10	25			
0523507	7				0533000-11	25			
0523507-1	15				0533000-12	25			
0523508	7				0533131	25			
0523508-1	15				0541103-1	49			
0523509	7,15				0541103-2	49			
0523510	7				0541103-3	50,51			
0523510-1	15				0541103-4	50,51			
0523511-3	7,15				0541103-5	49			
0523511-4	8,16				0541103-6	49			
0523511-5	9,17				0541103-8	50,51			
0523512-3	7,15				0541103-10	50,51			
0523512-4	8,16				0541103-11	51			
0523512-5	9,17				0541104	49			
0523513-3	7,15				0541105	49			
0523513-4	9				0541111	49,117			
0523514-3	7,15				0541111-1	49			
0523514-4	9,17				0541114	49			
0523515-3	7,15				0541115	123			
0523515-4	17				0541116	117			
0523516-4	17				0541116-1	117			
0523516-5	7,15				0541116-2	117			
0523517-1	7,15				0541116-3	117			
0523517-2	7,15				0541116-4	117			
0523517-3	7,15				0541116-5	117			
0523517-4	7,15				0541116-6	117			
0523518-1	5,13				0541116-7	117			
0523518-2	5,13				0541116-8	117			
0523519	7,15				0541116-9	117			
0523520	5				0541116-10	117			
0523520-1	13				0541116-11	117			
0523520-8	5,13				0541116-12	117			
0523521	5,13				0541116-13	117			
0523521-1	13				0541116-14	117			
0523521-5	5,13				0541116-15	117			
0523521-6	5				0541116-16	117			
0523521-7	5				0541116-17	117			
0523521-8	5				0541116-18	117			
0523522	7,15				0541116-19	117			
0523524	7,15				0541116-20	117			
0523529	5,13				0541116-21	117			
0523530	5,13				0541116-22	117			
0523530-2	5,13				0541116-23	117			
0523531	5,13				0541116-24	117			
0523532	5,13				0541116-25	117			
0523606	20				0541116-26	117			
0523606-1	20				0541116-27	117			
0523606-4	20				0541116-28	117			
0523606-5	20				0541116-29	117			

ALL PRICES SUBJECT TO CHANGE WITHOUT NOTICE



ILLUSTRATED PARTS CATALOG

NUMERICAL PARTS AND PRICE LIST

PART NUMBER	PAGE NO.	LIST PRICE	REMARKS	PART NUMBER	PAGE NO.	LIST PRICE	REMARKS
0541116-30	117						
0541116-31	117						
0541116-32	117						
0541116-33	117						
0541116-34	117						
0541116-35	117						
0541116-36	117						
0541117-2	50,51						
0541117-3	50,51						
0541117-4	50,51						
0541117-5	50,51			0550152	110		
0541117-6	50,51			0550153	71		
0541117-7	50,51			0550154	71		
0541117-8	50,51			0550155	71		
0541117-9	50,51			0550156	71		
0541117-10	50,51			0550158	117		
0541117-11	50,51			0550290	71		
0541117-12	51			0550290-1	72		
0541124	49			0551000	71		
0541124-1	49			0552000	66		
0541126	109			0552000-3	66		
0541127	109			0552000-4	66		
0541128	109			0552000-5	66		
0541129	109			0552000-6	66		
0541130	109			0552000-7	66		
0541131	109			0552000-8	66		
0541131-1	109			0552000-11	66		
0541132	109			0552000-12	66		
0541132-1	109			0552000-13	66		
0541134	109			0552000-16	66		
0541135-2	109			0552000-41	66		
0541136	49			0552000-49	66		
0541137	109			0552000-50	66		
0542105	40			0552000-51	66		
0542106	40			0552000-52	66		
0542108	40			0552001	69		
0542110-2	119			0552001-3	69		
0542110-7	119			0552001-4	69		
0542110-8	119			0552001-5	69		
0542110-9	119			0552001-6	69		
0542110-11	119			0552001-7	69		
0542110-12	119			0552001-8	69		
0542111	119			0552001-11	69		
0542111-2	119			0552001-12	69		
0542111-3	119			0552001-13	69		
0542111-4	119			0552001-16	69		
0542111-5	119			0552001-30	69		
0542111-6	119			0552001-31	69		
0542111-7	119			0552001-41	69		
0542111-8	119			0552001-49	69		
0542111-9	119			0552001-50	69		
0542111-10	119			0552001-52	69		
0542111-11	119			0552001-55	69		
0550100	71			0552001-56	69		
0550100-4	71			0552001-60	109		
0550100-5	71			0552101	105		
0550100-6	117			0552103	105		
0550100-7	71			0552104	105		
0550100-9	72			0552104-5	105		
0550101-3	112			0552105	105		
0550102-3	112			0553112-5	73		
0550106	72						
0550111	72						
0550112	72						
0550113	72			3-481074	95		
0550114	72			22A3-02	23		
0550115	72			22A3-054	109		
0550116	72			22A17-048	35		
0550117	72			22NKM-10-3	36		
0550118	72			200K4	47		
0550119	72			600	75		
0550121	72			1114-5	5,13		
0550123	71						
0550124	71			5508	96		
0550125	72			10004-79	123		
0550147	112			48143	35		
0550148	105			48151	77		

ALL PRICES SUBJECT TO CHANGE WITHOUT NOTICE

ILLUSTRATED PARTS CATALOG

NUMERICAL PARTS AND PRICE LIST

PART NUMBER	PAGE NO.	LIST PRICE	CODE	REMARKS	PART NUMBER	PAGE NO.	LIST PRICE	CODE	REMARKS
48172	61,64								
49164	55								
49265-F52	75								
49330	29,127								
475229	95								
475232	95				AN3-3A				
485201	95				AN3-4				
A-325-1	40				AN3-4A				
AW5-30	72				AN3-5A				
B-50	55				AN3-7A				
B-71	53				AN3-10A				
B-77	55				AN3-11A				
B-610X	10,18				AN3-14A				
	47				AN3-20A				
BB	53				AN3-21A				
C-36	96				AN3-62A				
C-73	53				AN4-5A				
C-77	55				AN4-6A				
C1022-8A-4	72				AN4-7A				
CA-1	104				AN4-10A				
CA-2	65				AN4-11A				
F-620	47				AN4-12A				
G-485207	95				AN4-14A				
GA5-375	72				AN4-21A				
KS-4	47				AN4-31A				
M-451	33,89				AN4-33A				
PN-3-A	27				AN4-42A				
					AN4-45A				
RG-58U	102				AN4-47A				
SLK-5	25				AN4-74				
S5-200	72				AN5-6A				
S-18-30	47				AN5-7A				
T-118	55				AN5-13A				
					AN5-15A				
					AN5-22A				
					AN5-23A				
					AN5-32A				
					AN5H-12				
52-3-102	121				AN6-5A				
52-3-553	123				AN6-22A				
					AN6-23A				
					AN6-32A				
					AN6H-37				
					AN7-10A				
					AN7-20A				
					AN7-24A				
					AN7-27A				
					AN8-17A				
					AN8-23A				
					AN8-24A				
					AN8-46				
					AN15-8R8				
52-3-828	105				AN23-8				
					AN23-9				
					AN23-10				
					AN23-11				
					AN23-15A				
					AN23-64A				
					AN74A5				
					AN75A10				
					AN76-11				
					AN88-4-12				
					AN114				
					AN155-3L				
					AN155-8L				
					AN155-16S				
					AN155-32L				
					AN155-32S				
					AN161-32LL				
					AN165-16S				
					AN165-22L				
					AN165-22S				
					AN200KS4				
					AN210-3				
					AN210-4A				
					AN230-A2				
					AN253-2-3.57				
					AN253-2-31.87				

ALL PRICES SUBJECT TO CHANGE WITHOUT NOTICE



ILLUSTRATED PARTS CATALOG

NUMERICAL PARTS AND PRICE LIST

PART NUMBER	PAGE NO.	LIST PRICE	CODE	REMARKS	PART NUMBER	PAGE NO.	LIST PRICE	CODE	REMARKS
AN253-2-2825					AN520-1OR6				
AN310-3					AN520-1OR7				
AN316-4R					AN520R7				
AN316-412					AN522-428R12				
AN320-3					AN523-832-5				
AN320-8					AN525-416-9A				
AN340-5					AN526-6R-5				
AN340-8					AN526-8R10				
AN340-B8					AN526-8R12				
AN350-1032					AN526-1OR7				
AN364-524					AN526-1OR8				
AN364-624					AN526-1OR9				
AN364-720					AN526-1OR14				
AN364-1032					AN526-428R12				
AN365-428					AN526-632-8				
AN365-524					AN526-632R5				
AN365-624					AN526-632R8				
AN365-632					AN526-632R9				
AN365-B632					AN526-632R36				
AN365-640					AN526-832-5				
AN365-720					AN526-832-40				
AN365-820					AN526-832R5				
AN365-832					AN526-832R6				
AN365-1032					AN526-832R7				
AN366-F428					AN526-832R8				
AN366F-832					AN526-832R-10				
AN366F-932					AN526-832R12				
AN366F-1032					AN526-832R14				
AN380-2-1					AN526-832R16				
AN380-2-2					AN526-832R24				
AN380-2-3					AN526-832R26				
AN380-2-4					AN526-1032R8				
AN380-2-6					AN526-1032R10				
AN380-3-3					AN526-1032R16				
AN380-3-4					AN526-1032R20				
AN380-4-3					AN526-1032R26				
AN380-4-5					AN526-1032R36				
AN380-4-10					AN530-6R4				
AN385-720					AN545-6-4				
AN392-13					AN545-8R6				
AN392-15					AN659-1				
AN392-17					AN659-3				
AN392-53					AN659-4				
AN392-57					AN659-5				
AN393-7					AN659-11				
AN393-13					AN659-12				
AN393-19					AN735-16				
AN394-27					AN741-D13				
AN407-8R8					AN742-8				
AN415A					AN742-10				
AN420-3-10P					AN742D2				
AN426AD-3-5					AN775-4				
AN426AD3-6					AN776-4D				
AN442AD4					AN814-4D				
AN450-C8-B8					AN815-4D				
AN456AD4					AN815-6D				
AN456AD4-6					AN816-2B				
AN470B4-10					AN816-2D				
AN500A-8-5					AN816-4D				
AN501-1032					AN816-6D				
AN502-416-10					AN822-2D				
AN503-8-12					AN822-4D				
AN505-6-4					AN822-6B				
AN505-8R5					AN822-6D				
AN507-1OR7					AN823-2D				
AN507-832R8					AN823-4D				
AN515-4R8					AN826-4D				
AN515-6-4					AN832-2D				
AN515-6-8					AN833-4D				
AN515-6R8					AN837-4D				
AN515-8-5					AN840-4D				
AN515-8R5					AN840-6D				
AN515-8R6					AN844-4D				
AN515-8R8					AN844-6D				
AN515-8R12					AN859-4D-10				
AN515-1OR10					AN884-4-56				
AN515-B6R					AN884-6-9				

ALL PRICES SUBJECT TO CHANGE WITHOUT NOTICE



ILLUSTRATED PARTS CATALOG

NUMERICAL PARTS AND PRICE LIST

PART NUMBER	PAGE NO.	LIST PRICE	CODE	REMARKS	PART NUMBER	PAGE NO.	LIST PRICE	CODE	REMARKS
AN884-6-11					NAS41-2-1.625				
AN884-6-13					NAS41-3-1				
AN884-6-68					NAS42-4-48				
AN884-10-12					NAS43-3-64				
AN901-40					NAS43C-3-12				
AN902-4					NAS43C-4-12				
AN910-1D					NAS43C-4-20				
AN911-1					NAS43C-4-47				
AN911-1D					NAS43DD-4-48				
AN911-2D					NAS43DD-4-64				
AN912-1D					NAS43DD-6-58				
AN912-2D					NAS145-14				
AN913-1					NAS145-18				
AN914-2					NAS178-8-7				
AN916-1D					NAS178-10-6				
AN917-1D					NAS179-8				
AN917-2D					NAS179-10				
AN921-4S-12					NAS228-7				
AN924-2D					NAS228-8				
AN924-4D					NAS228-9				
AN931-2S-9					NAS228-12				
AN931-3-5					NAS229-8				
AN931-4-7					NAS288-35LH				
AN931-4-16					NAS288-35RH				
AN931-4S16					NAS296-4A				
AN931-6-10					NAS314-27-1760				
AN931-6-16					NAS314-27-1770				
AN931-7-11					NAS314-27-2247				
AN931-10-14					NAS383-1				
AN931-11-16					NAS383-3				
AN931-14-20					NAS383-4				
AN935-8L					NAS385-4-6				
AN935-416					NAS390-4P				
AN936-10					NAS395-1-3				
AN936-A6					NAS395-3-3				
AN936-A8					NAS395-12-3				
AN936-C10					NAS395-14-3				
AN936B-616					NAS395-17-3				
AN960-4					NAS395-18-3				
AN960-6					NAS395-23-3				
AN960-10					NAS396-1A3				
AN960-10L					NAS397-10				
AN960-416					NAS397-12				
AN960-416L					NAS397-16				
AN960-516					NAS397-32				
AN960-516L					NAS398-42				
AN960-616					NAS434-D2				
AN960-616L					NAS434-D3				
AN960-716					NAS434-D4				
AN960-716L					NAS434-D6				
AN960-816					NAS434-D8				
AN960-A10					NAS434-D10				
AN960-A816L					NAS434-S10				
AN970-3					NAS435-D4				
AN970-5					NAS435-D5				
AN970-6					NAS435-D6				
AN3021-1					NAS435-D7				
AN3021-2					NAS435-D8				
AN3027-1					NAS437-2C				
AN4002-1					NAS437-3C				
AN4078-1					NAS437-3C-1				
AN5743L1					NAS441-4-15				
AN5807-1					NAS444-1				
AN6227-7					NAS444-4				
AN6230-2					NAS444-5				
AN6230-3					NAS444-14				
AN6260-4D-10					NAS445-2				
AN6270-6-18					NAS445-14				
AN6271-4D-10					NAS446-1				
AN7502-24					NAS446-3				
AN23513-4					NAS446-4				
AN542110-10					NAS447-416SP				
					NAS451-6				
NAS STANDARD PARTS					NAS451-11				
					NAS451-43				
NAS36					NAS451-51				
NAS41-2-.500					NAS451-56				

ALL PRICES SUBJECT TO CHANGE WITHOUT NOTICE



ILLUSTRATED PARTS CATALOG

NUMERICAL PARTS AND PRICE LIST

PART NUMBER	PAGE NO.	LIST PRICE	CODE	REMARKS	PART NUMBER	PAGE NO.	LIST PRICE	CODE	REMARKS
NAS455-163-4-2									
NAS455-163-4-4									
NAS455-163-4-8									
STA-KON STANDARD PARTS									
A-36									
A-50									
A-71									
A-77									
B-50									
B-71									
B-77									
BB									
C-36									
C-73									
C-77									
T-118									
PARKER - KALON STANDARD PARTS									
PK76XZ-4-4									
PK76XZ-4-5									
PK76XZ-4-6									
PK76XZ-4-8									
PK76XZ-6-4									
PK76XZ-6-6									
PK76XZ-6-8									
PK76XZ-8-6									
PK76XZ-8-8									
PK76XZ-8-10									
PK76XZ-10-6									
PK79XZ-6-6									
PK86XZ-4-6									
PK148-632-10									
TINNERMAN STANDARD PARTS									
A1272-8Z-3									
A1348-8Z-3									
A1663-017-1									
A1793-10-.064-3									
A1794-10Z-3									
A2980A-2									
A2980A-3									
A2980A-4									
A2980A-6									
A2980A-6-199									
A2980A-20									
A2980A-32									
A2981A-5									
A3046-6									
A3046A-4									
A3052A-20									
A3493-1									
A3499-34-2									
A6194-8Z-3									
A6195-8Z-3									
A6221-8Z-8-D									
A6452-8Z-.072-3									

ALL PRICES SUBJECT TO CHANGE WITHOUT NOTICE