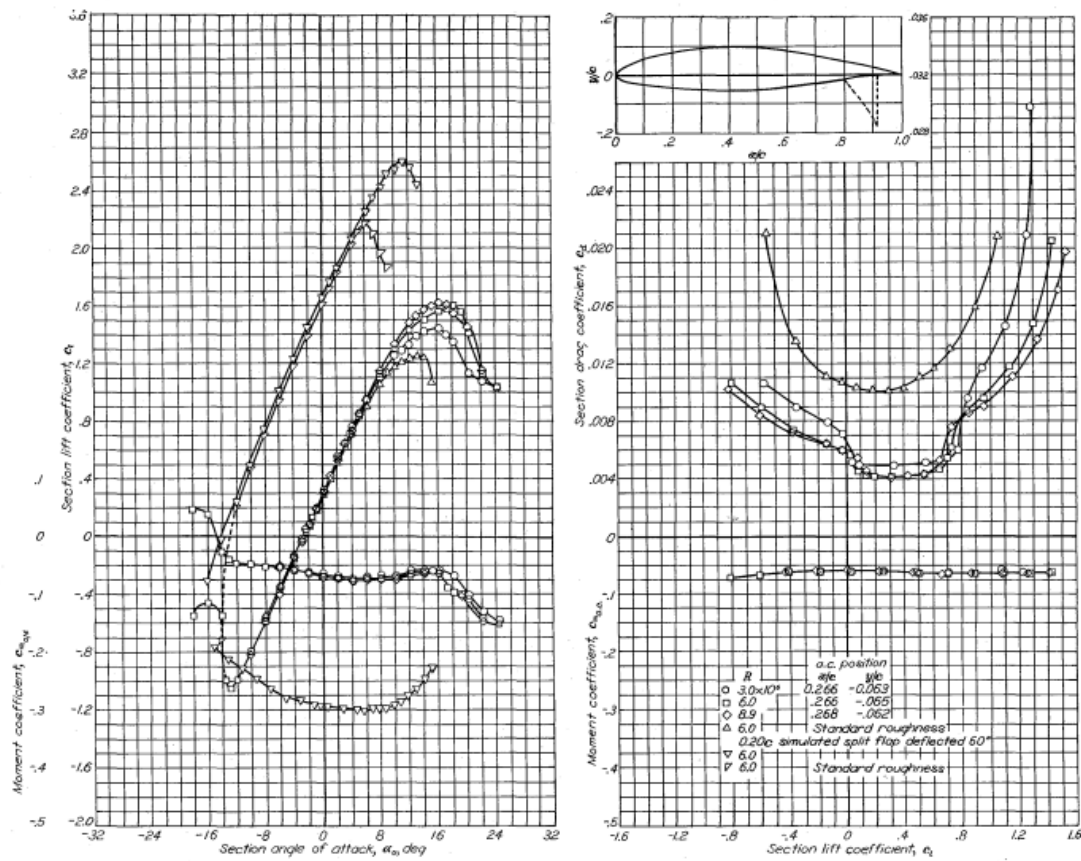
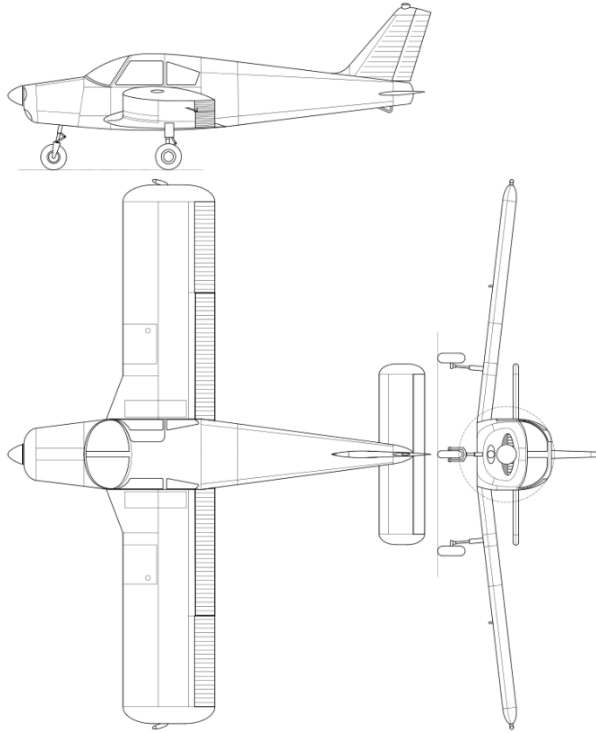


AEM 313 Problem Set #7

Due: 15th November 2016 by 5:00pm

1. Estimate the total wetted area of the Piper Cherokee (b=30 ft, S=160 sq-ft) below
2. Estimate the drag of the landing gear (reference area S=160 sq-ft)
3. Estimate C_{D0} given the NACA 652415 airfoil and a flat plate approximation elsewhere.



NACA 65-415

Aerodynamic characteristics of the NACA 65-415 airfoil section, 24-inch chord.